

CLOSED-CELL FOAM PIPE INSULATION

663 SERIES

SPECIFICATION

Sioux Chief 663 Series pipe/tube insulation shall be used in plumbing and HVAC systems to reduce condensation and heat loss in hot or cold water distribution lines. Insulation shall be made from non-porous, closed-cell polyethylene foam, manufactured without CFCs, HCFCs, HFCs, PBDEs, or formaldehyde. Insulation shall have very low water vapor permeability, superior flexibility, and excellent microbial and fungi resistance.

MATERIALS

Closed-cell, polyethylene foam - black color

INSTALLATION NOTES

Material is inert and product is approved for use with all types of water distribution piping. Insulation must be properly sized to perform as expected. Do not stretch the product during installation - tubes should be pushed into place rather than pulled. Systems should be unheated at time of installation. All joints and seams should be sealed for proper performance.

TEMPERATURE RATING

Working: -200°F min | 200°F max

TENSILE STRENGTH

30 PSI

ELONGATION

50%

FLAME/SMOKE RATING

25/50 (ASTM E84)

THERMAL CONDUCTIVITY/STABILITY

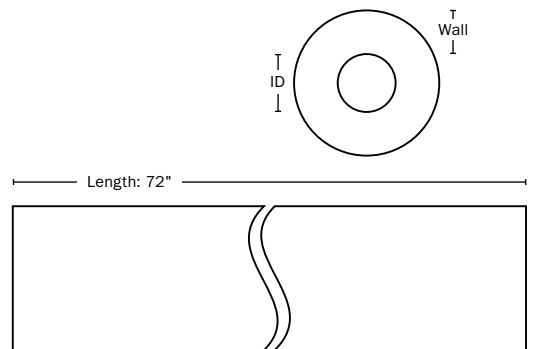
75°F mean temp: 0.27 | 120°F mean temp: 0.295

Linear shrinkage: Less than 3% @ 200°F

R-VALUES

| | 3/8" Wall | 1/2" Wall | 3/4" Wall | 1" Wall |
|-----------|-----------|-----------|-----------|---------|
| 3/8" ID | 2.73 | n/a | n/a | n/a |
| 1/2" ID | n/a | 3.66 | n/a | n/a |
| 5/8" ID | 2.57 | 3.54 | 5.70 | 8.07 |
| 3/4" ID | n/a | 3.60 | n/a | n/a |
| 7/8" ID | 2.28 | 3.15 | 5.07 | 7.20 |
| 1-1/8" ID | 2.17 | 2.98 | 4.88 | 6.72 |
| 1-3/8" ID | 2.11 | 2.88 | 4.88 | 6.41 |
| 1-5/8" ID | 2.22 | 2.97 | 4.56 | 6.36 |
| 2-1/8" ID | 2.02 | 2.71 | 4.03 | 5.83 |
| 2-3/8" ID | n/a | 2.71 | 4.20 | 5.74 |
| 2-5/8" ID | 2.05 | 2.71 | 4.16 | 5.68 |

| | |
|------------------|-----------------|
| ITEM # SUBMITTED | _____ |
| JOB NAME | _____ |
| LOCATION | _____ |
| ENGINEER | _____ |
| CONTRACTOR | _____ |
| PO# | _____ TAG _____ |



Create Item Number

663-ABC

e.g. **663-07838HS**: Foam pipe insulation - 7/8" ID x 3/8" wall with Half-slit seam - Box

INNER DIAMETER A

038 = 3/8" ID

034 = 3/4" ID

138 = 1-3/8" ID

238 = 2-3/8" ID

012 = 1/2" ID

078 = 7/8" ID

158 = 1-5/8" ID

258 = 2-5/8" ID

058 = 5/8" ID

118 = 1-1/8" ID

218 = 2-1/8" ID

WALL THICKNESS B

38 = 3/8" Wall

12 = 1/2" Wall

34 = 3/4" Wall

10 = 1" Wall

SEAM STYLE C

HS = Half-slit seam

SS = Self-seal seam

Note: Not all option combinations are available. See R-Values table above for stocked items