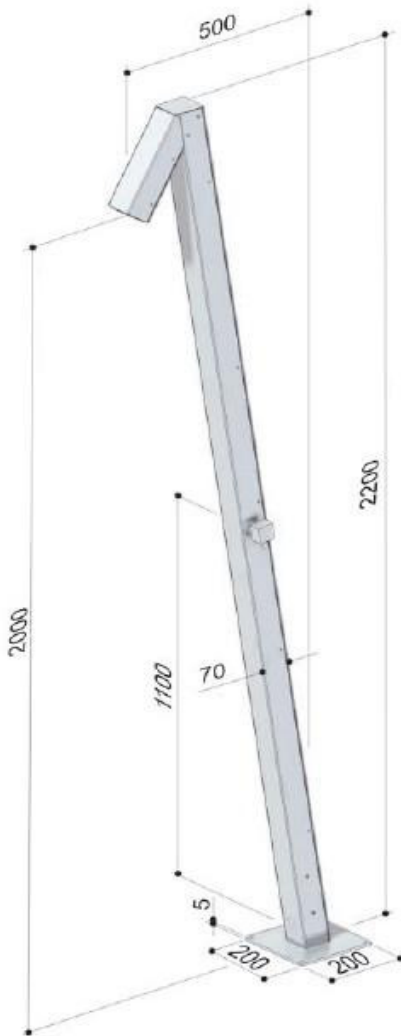


INSTRUCTIONS AND MAINTENANCE

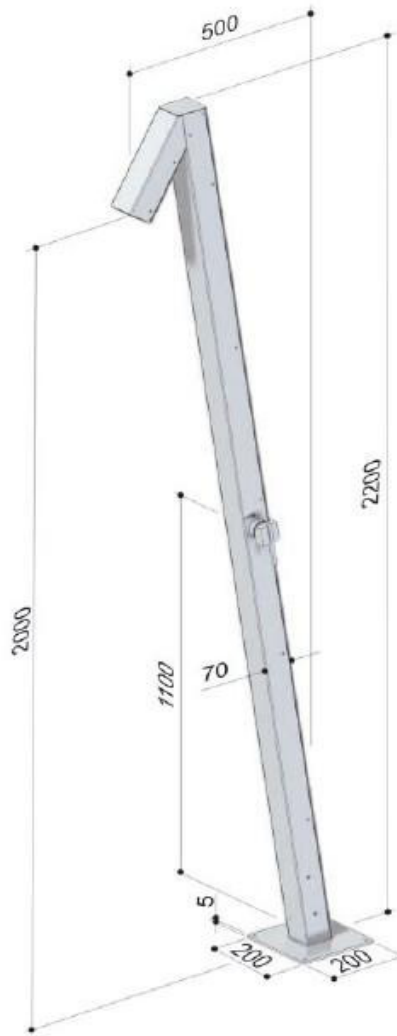
fontealta

in&out steel concept



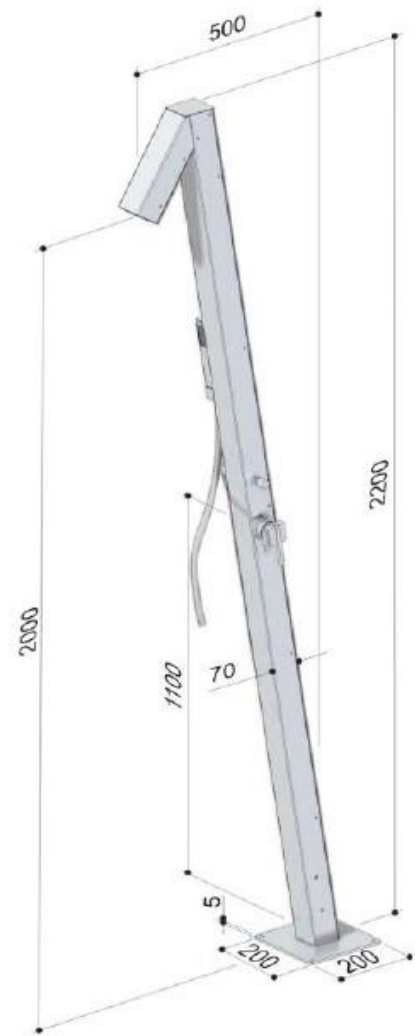
Q70

Outdoor shower column with stop tap and anti-limescale showerhead



Q70 MIX

Outdoor shower column with single-lever mixer and anti-limescale showerhead



Q70 MIX EXTRA

Outdoor shower column, with single-lever mixer, handshower, 150 cm flexible hose and anti-limescale showerhead

All Zenit shower columns are made of stainless steel AISI 316L, with the exception of the handshower, the handshower support, the flexible hose and time-limited self-closing tap which are made in chromed brass

fontealta

is a brand of :

RubINETTERIA F&F L'Artigiana Srl

Via Libeccio 48/C

1-55049 Viareggio (Lu)

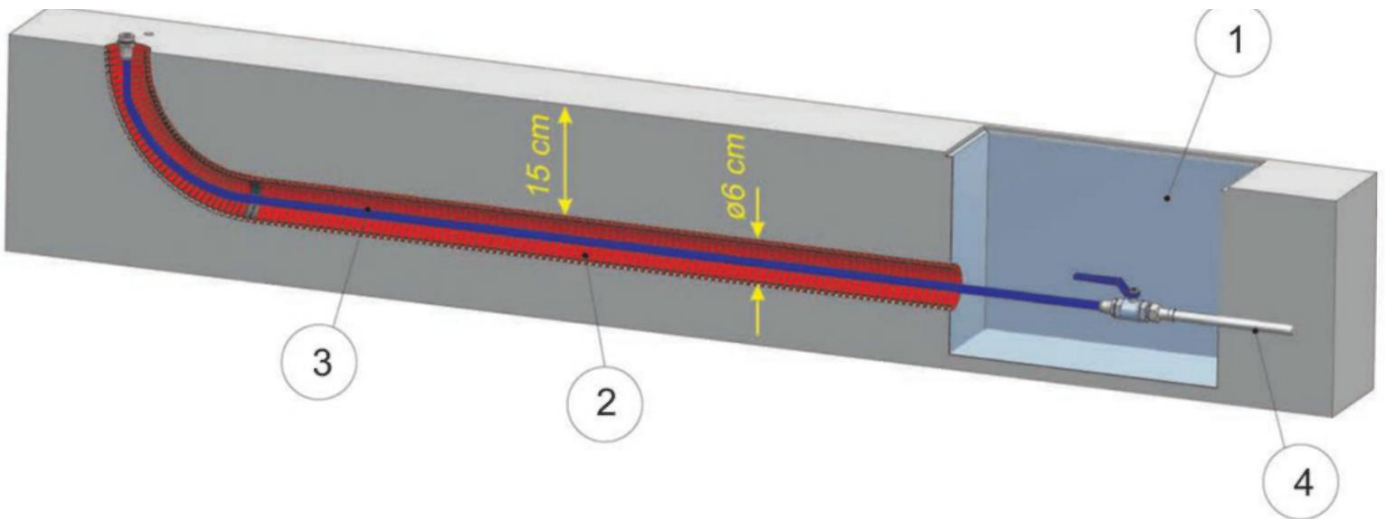
Tel +39 0584 969041 Fax +39 0584 361 206

www.fontealta.it info@fontealta.it

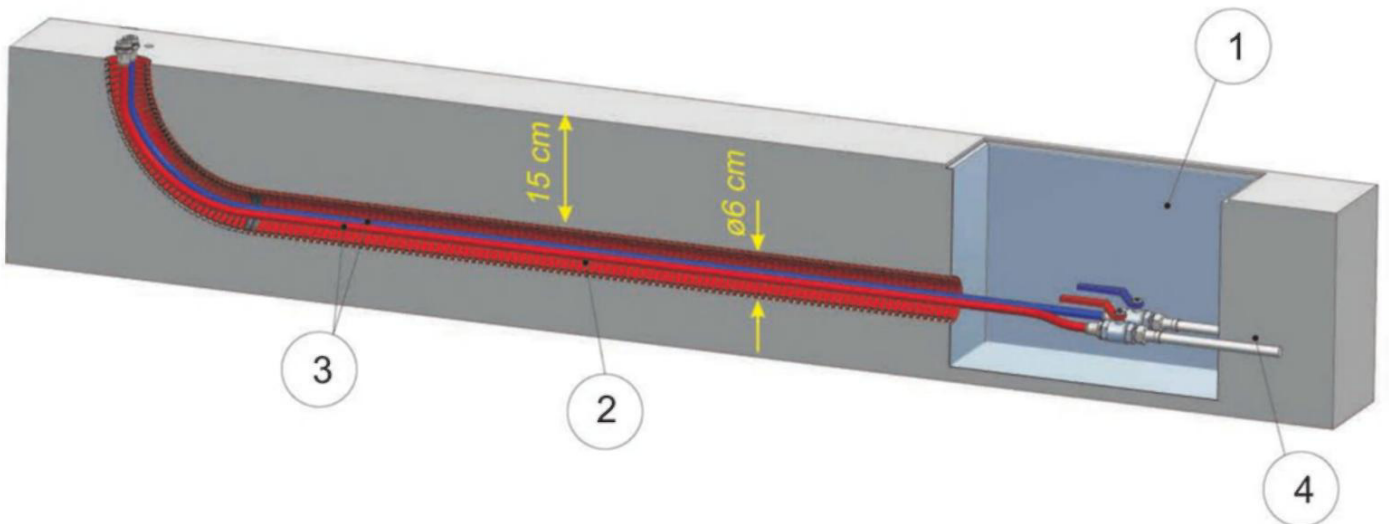
PREINSTALLATION

1. Prior to installation, an inspection well equipped with a stop valve shall be built. It should be of appropriate size to allow all required water connections. Together with the stop valve (or upstream we recommend the installation of a filter. If the shower column is equipped with time-limited self-closing tap, the installation of an upstream filter is strictly required for the acknowledgement of our guarantee.
2. Downstream of the well, install a 6 cm diameter corrugated pipe; take care that the upper edge of the pipe is installed at a minimum distance of 15 cm from the finished floor surface
3. Install a polyethylene/polypropylene water supply pipe (or a similar material), finished off with a $\frac{1}{2}$ " male thread
4. Wash out the supply pipes upstream of the inspection well

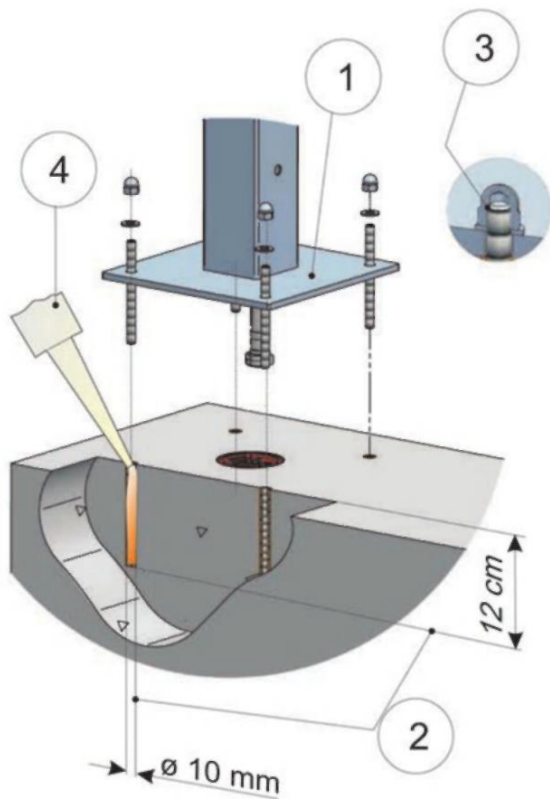
Art. Q70



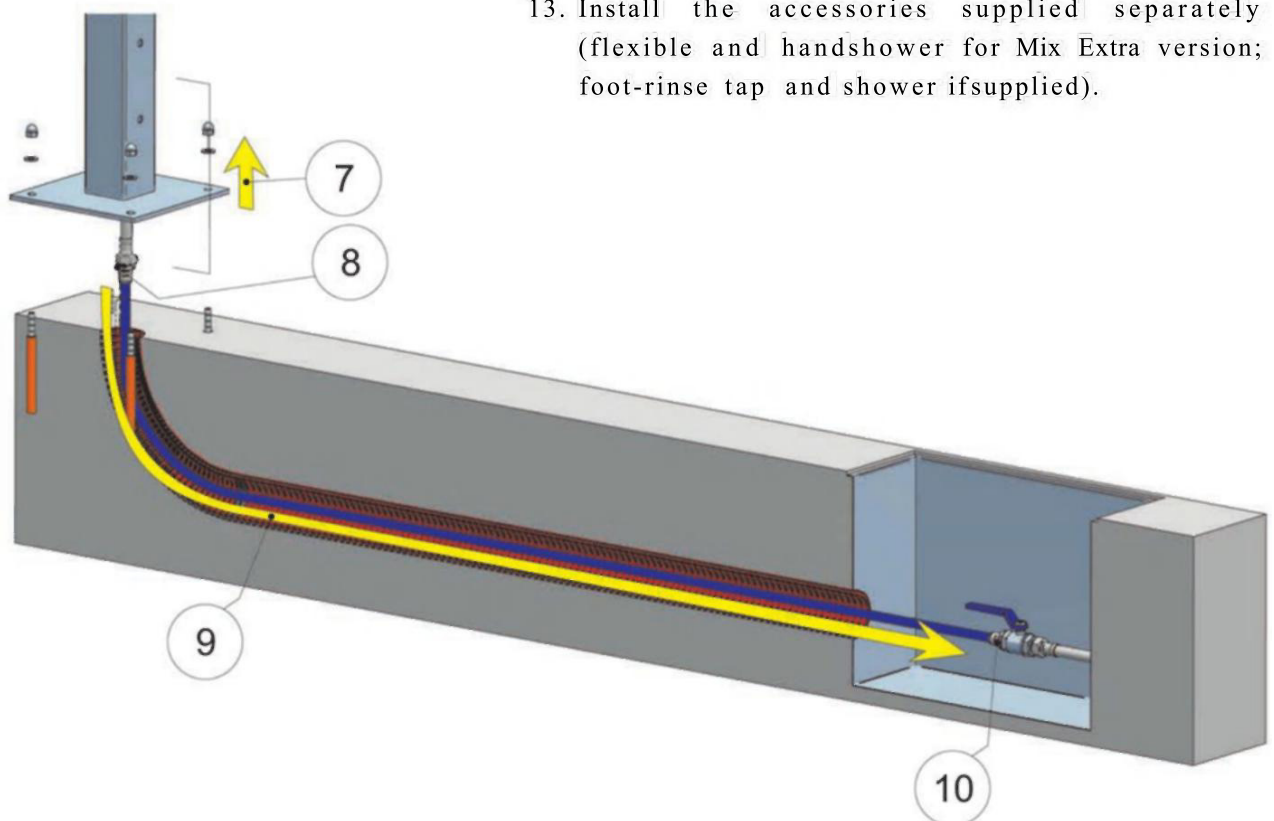
Art. Q70 Mix / Q70 Mix Extra



INSTALLATION



1. Place the shower column into position and trace the 4 fixation holes. Remove the column.
2. Drill four 10 mm diameter holes, to a depth of 12 cm.
3. Mount the washers and the blocking nuts on the threaded stems supplied, taking care not to tighten the nuts (leave at half-run).
4. Inject two-component resin, starting from the bottom of the holes. Place the column in position.
5. Insert the threaded stems inside the holes, rotating them in order to allow the resin to fill the holes.
6. Remove the excess resin and clean. Wait for resin to dry up, following the manufacturer instructions.
7. Unscrew the nut and the washer. Remove the column.
8. Connect the supply pipe to the ½" loose nut of flexible pipe
9. Slide the supply pipe into the corrugated pipe.
10. Connect the end of supply pipe to the stop valve installed inside in the inspection well.
11. Check the static seal, with tap/mixer in position of closed water.
12. Place the column onto the threaded stems. Insert washers on stems and tighten the blocking nuts using a 13 mm wrench. Check the column uprightness using a level: in case of misalignment, loose the blocking nuts and insert thicknesses between the floor and the column base flange.
13. Install the accessories supplied separately (flexible and handshower for Mix Extra version; foot-rinse tap and shower if supplied).



MAINTENANCE AND CLEANING

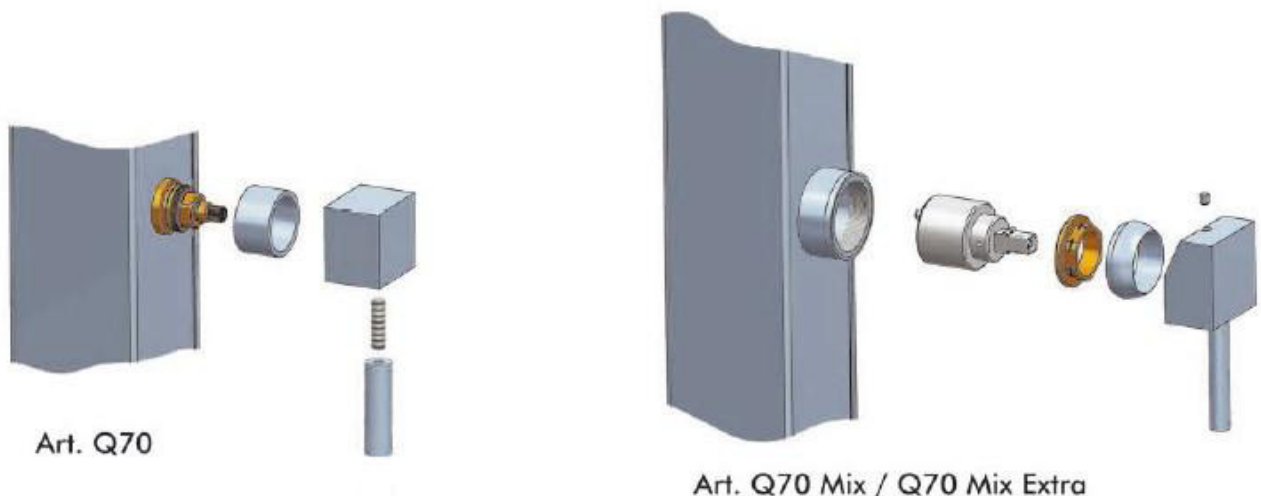
DEMOUNTING OF EXTERNAL PARTS (FOR SEASONAL USE)

In case of long term non-use (typically: use limited to summer season only), we recommend to remove the entire shower column, demounting it in reverse order to the 'Installation' chapter (page up). In case this would not be possible, we suggest to:

1. Remove all demountable parts: handshower and flexible hose.
2. Close stop valve inside the inspection well (see 'Preinstallation' chapter, two pages up).
3. Unscrew supply pipe from stop valve.
4. Open tap/mixer until complete emptying of the shower column.

In case of aggressive environmental conditions (especially: exposure to high salinity or frost) we also recommend to demount all tap/mixer removable parts, including cartridge. Please refer to the drawings below for the demounting sequence.

Note: when the mixer trim parts are re-installed, we recommend to tighten the blocking nut of mixer cartridge using a dynamometric key, torque 0,8 kgm



PERIODICAL MAINTENANCE

- Wash frequently with freshwater in order to maintain a shiny surface, if possible using high-pressure water jetting.
- Remove periodically any visible saline deposit, lime scale, oxidation spot; clean carefully all cavities, threaded couplings, screw heads etc. Use only smooth clothes, do not use rough sponges or abrasives.
- Polish all column surface with anti-oxidizing products at least once per year, following the manufacturer instructions.

In case of aggressive environmental conditions (especially: exposure to high salinity) we recommend to polish the entire shower column surface at least three times per year or three times during the seasonal use (beginning, half, end of summer)

fontealta

is a brand of :

RubINETTERIA F&F L'ARTIGIANA Srl

Via Libeccio 48/C

1-55049 Viareggio (Lu)

Tel +39 0584 969041 Fax +39 0584 361 206

www.fontealta.it info@fontealta.it