



LEFROY BROOKS

1 8 2 8 T R O U T M A N S T R E E T
R I D G E W O O D N E W Y O R K N Y 1 1 3 8 5 U S A
T: +1(718) 302 5292 F: +1(718) 302 4177

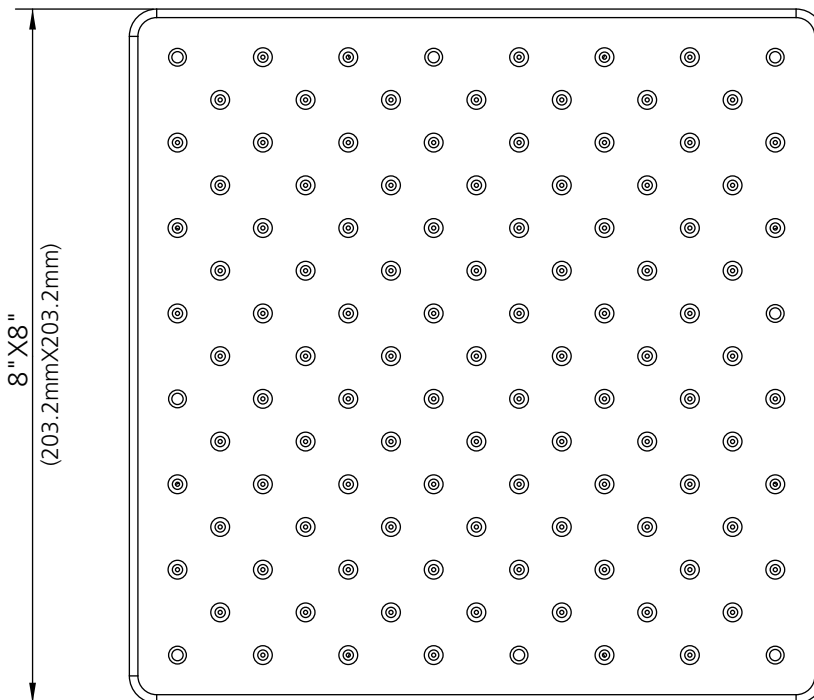
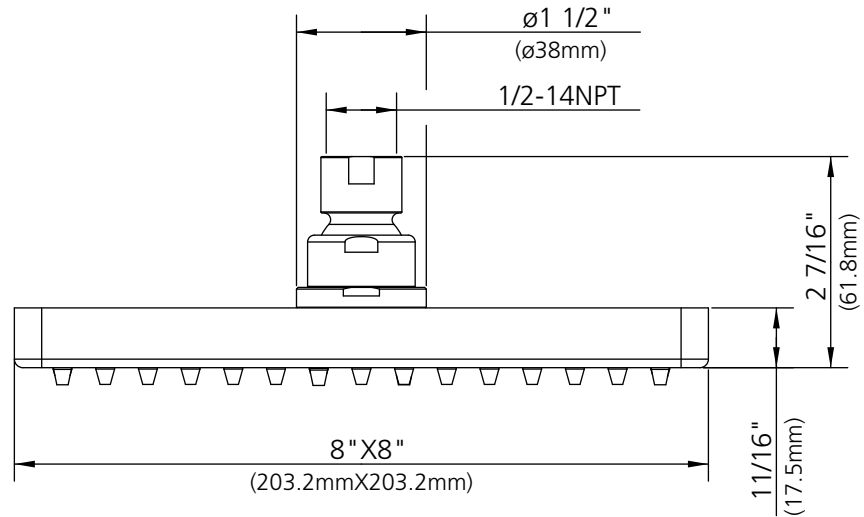
Y1-4600

SQUARE BRASS 8-INCH SHOWER ROSE

DIMENSIONAL DATA SHEET

DATE: 1 July 2009

No: S1111892



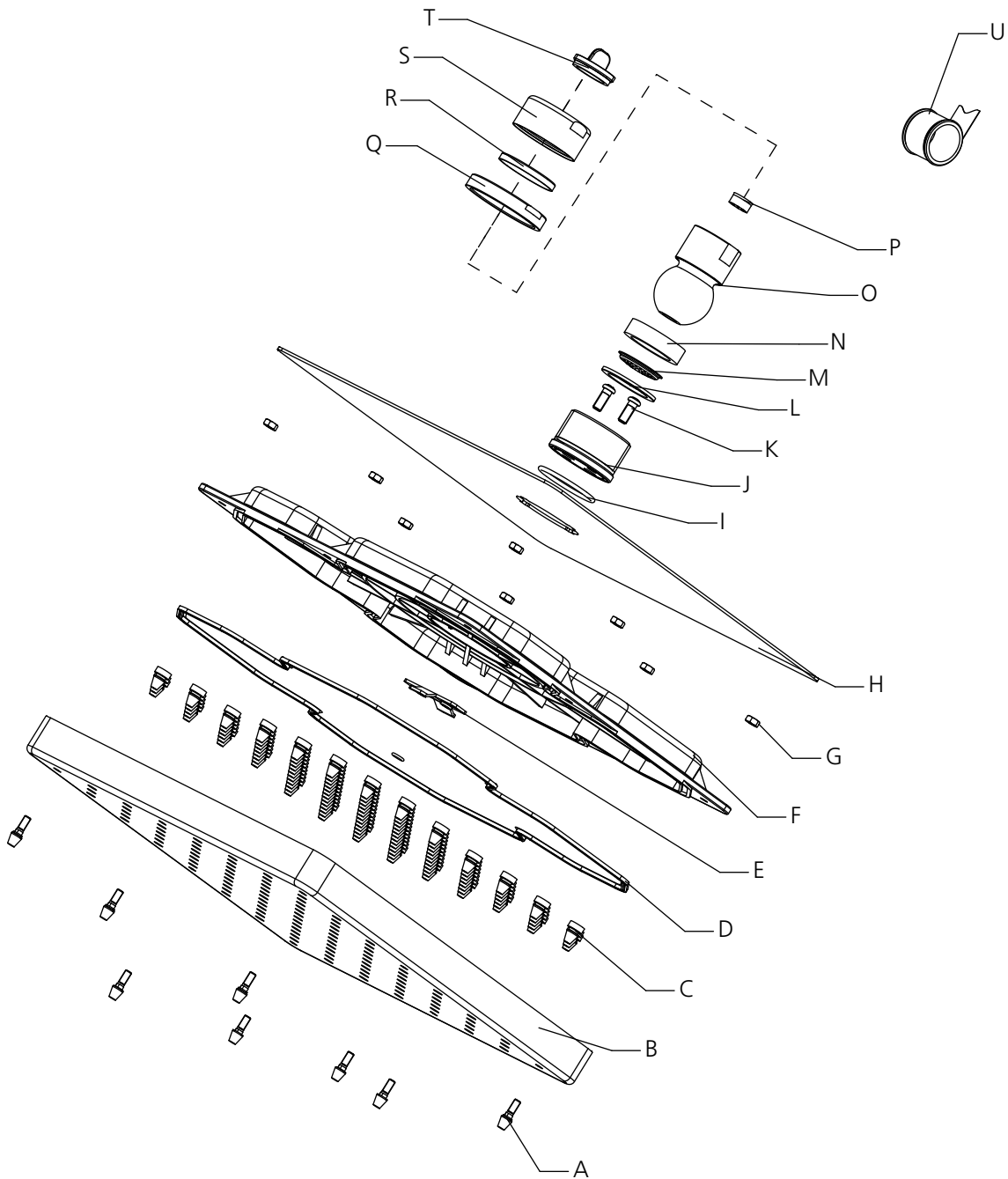
©COPYRIGHT 2009 CHRISTO LEFROY BROOKS. ALL RIGHTS RESERVED.

DIMENSIONS IN INCHES & MILLIMETRES

WHILST EVERY EFFORT IS MADE TO ENSURE THE ACCURACY OF THESE DATA SHEETS THEY ARE SUBJECT TO CHANGE WITHOUT NOTICE AS PART OF THE COMPANY'S PRODUCT DEVELOPMENT PROCESS

Y1-4600

SQUARE BRASS 8-INCH SHOWER ROSE



- A Nipple (008682)
- B Front plate (112845)
- C Showerhead accessory (112802)
- D Seal (010684)
- E Washer (013545)
- F Body (055518)
- G Nut (070408)
- H Back plate (112846)
- I O-Ring (004094N)
- J Adaptor (039796)
- K Screw (008774)

- L Washer (013602)
- M Strainer (022230)
- N Seal (058001)
- O Ball joint (057861)
- P Restrictor valves (519237)
- Q Copper ring (047121)
- R Spacer (060151)
- S Nut (054258)
- T Showerhead accessory (112383)
- U Teflon tape (203000)