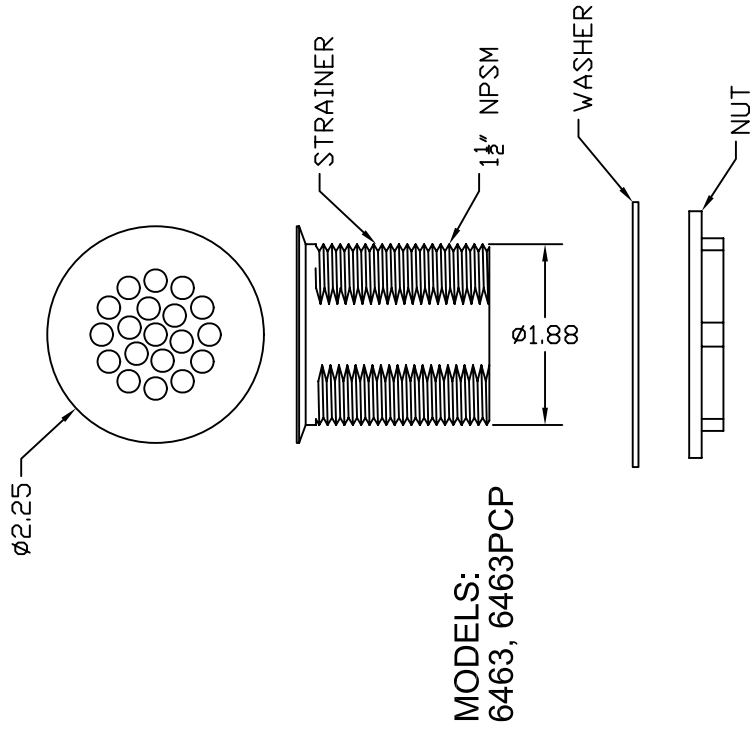
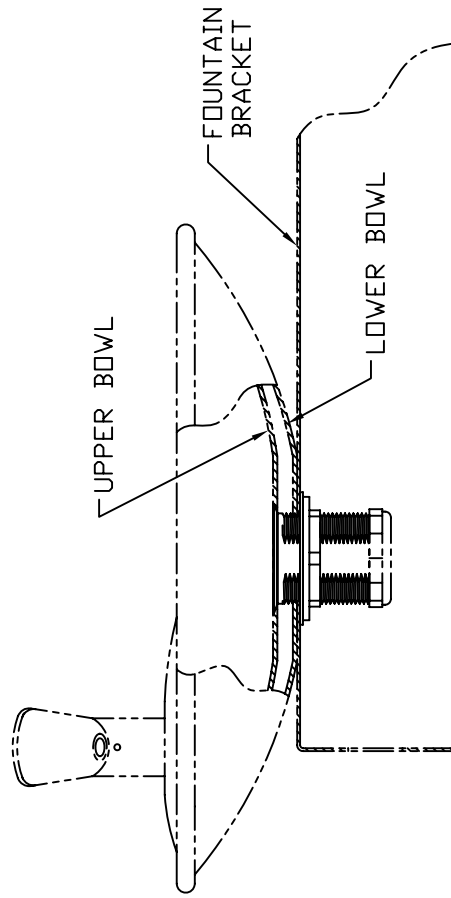
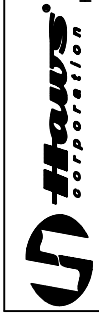


THIS DOCUMENT IS TRUE AND CORRECT AT TIME OF PUBLICATION. CONTINUED PRODUCT IMPROVEMENTS MAKE SPECIFICATIONS AND MEASUREMENTS SUBJECT TO CHANGE WITHOUT NOTICE.



MODELS:
6463, 6463PCP

TYPICAL INSTALLTION
ACTUAL MODEL WILL VARY



INFO FAX : 1-888-FAX-HAWS (1-888-329-4297)
1455 Kleppe Ln, Sparks NV, 89431
Phone: 775-359-4712 Fax: 775-359-7424
Haws Ag, Bachweg 3, CH-3401 Burgdorf Switzerland
Haws Mfg Pte Ltd 74 Sungai Kadut Loop Singapore 729531
e-mail: Haws@hawsco.com website: www.hawsco.com

EQ. NO.	REVISED PER	ISS.	MODEL(S)
J.F.	ECN: 4054	BW	6463, 6463PCP
DATE:	12/27/99	PROJ:	INFO FAX DOC # 26463
APPROVED:	DATE	SCALE: 1:2	DRAWING TYPE: INSTALLATION/BACK
			NO. 000707590
			DRAWING NUMBER 14458000
			REV. 2
			SIZE: A SH: 1 OF 1