

COVER CAP - LIGHT DUTY
300.5230.BLK/MAL

DESCRIPTION & SPECIFICATIONS

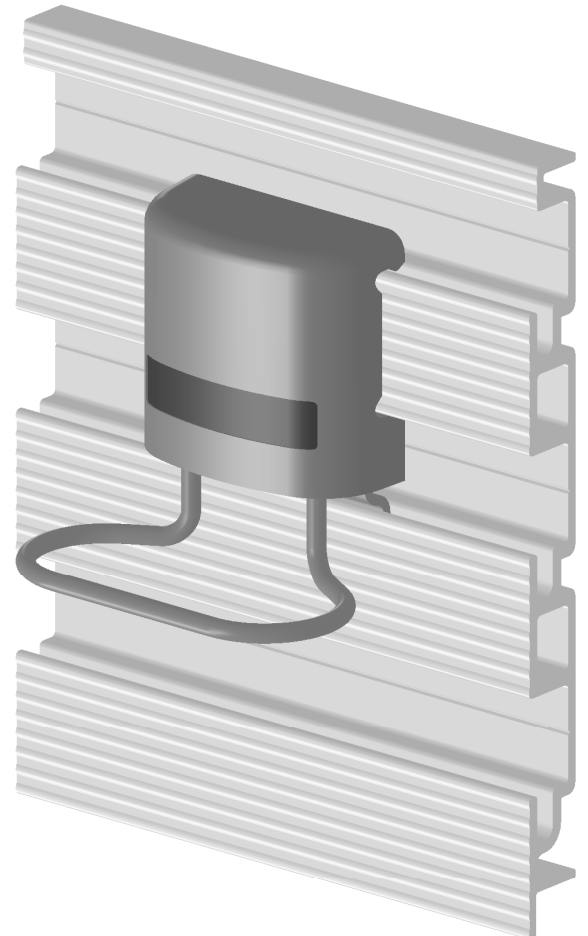
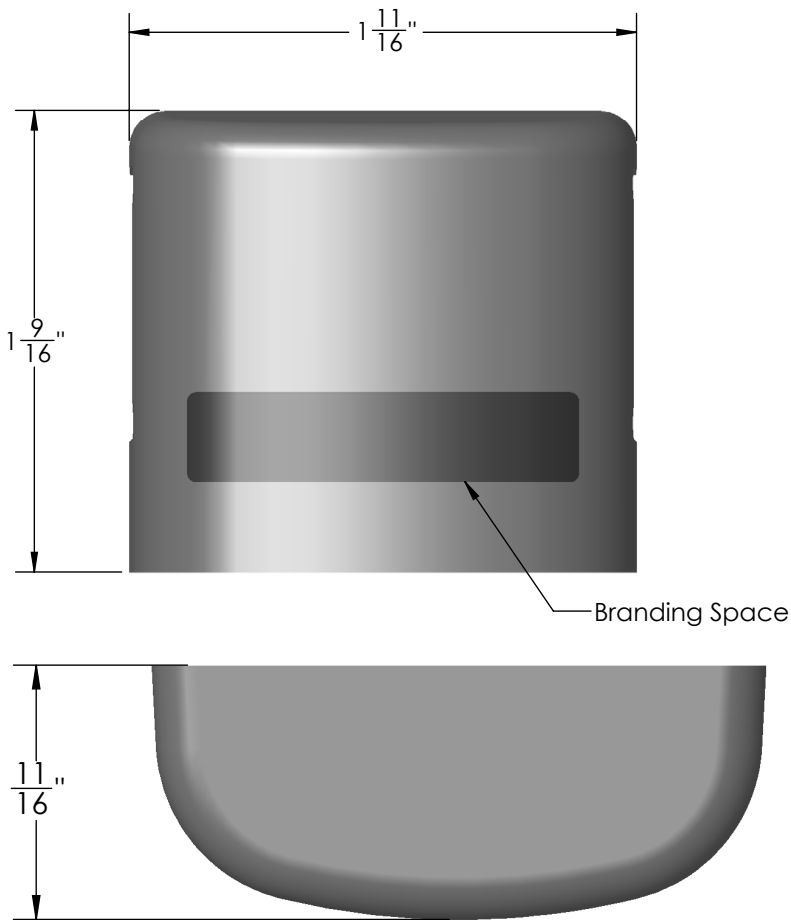
The Light Duty Cover Cap attaches the smaller hooks to the track and creates an attractive look. Caps can be custom branded to feature the name or logo-type of your closet shop.

SIZE & CAPACITY | Light Duty

AVAILABLE FINISHES |



Matte Aluminum, Black.



INSTRUCTIONS & SPECIFICATIONS

STEP 1: Insert the top of the Cover Cap on the hook base and into track channel.

STEP 2: Press the bottom of the cap over the hook base until it snaps into place. Hook is now fixed, but can be repositioned horizontally.

FINISH	CODE (FIN)
MATTE ALUMINUM	MAL
BLACK	BLK

**TRACK SYSTEM
MATTE ALUMINUM/WHITE**

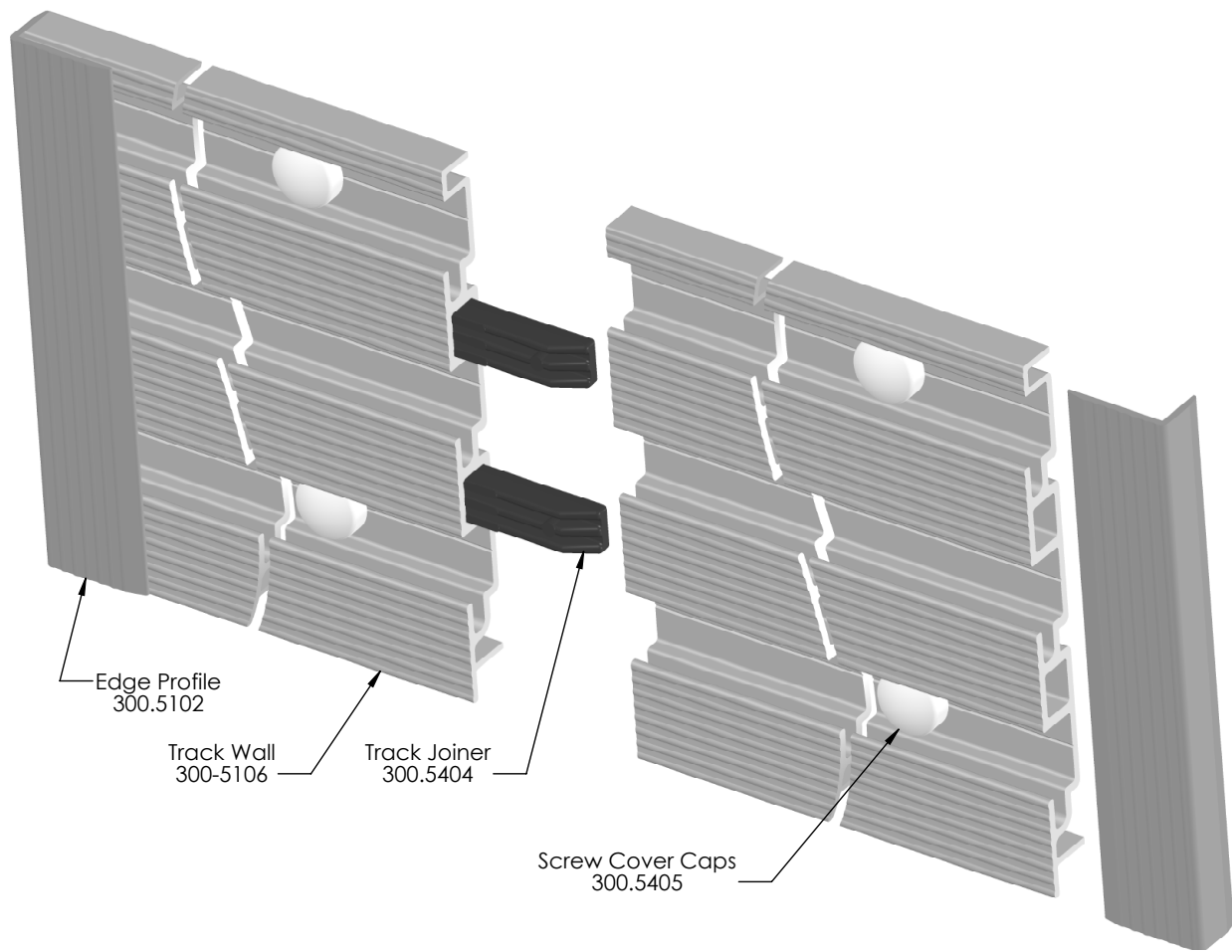
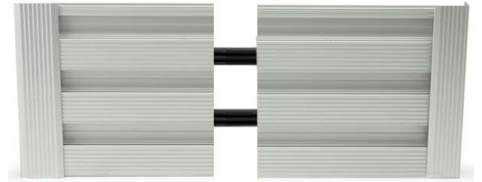
DESCRIPTION & SPECIFICATIONS

The TAG track system is the perfect solution for organizing your garage, office, closet and other areas with specialized hooks. The track replaces the outdated and unsightly pegboard system with functionality and aesthetics.

AVAILABLE FINISHES



Matte Aluminum, White.



TRACK COMPONENTS & INSTALL HARDWARE

COMPONENT	ITEM CODE	COLOR CODE	DESCRIPTION
FUSION TRACK	300.5106	MAL/WH	HOLDS HOOKS
EDGE PROFILE	300.5102	MAL/WH	FINISHES TRACK EDGES
SCREW COVER STRIP	300.5109	MAL/WH	CONCEALS SCREWS
TRACK JOINER	300.5404	BLK	JOINS TRACK PANELS

COMPONENT	ITEM CODE	COLOR CODE	DESCRIPTION
EDGE MOUNTING TAPE	300.5402	CLR	MOUNT EDGE PROFILE
PAINTED INSTALL SCREW	300.5401	MAL	INSTALL TRACK PANEL
HINGED SCREW CAPS	300.5405	MAL/WH	CONCEAL SCREWS
END CAPS	300.5403	BLK/WH	FINISH TRACK PANEL EDGES