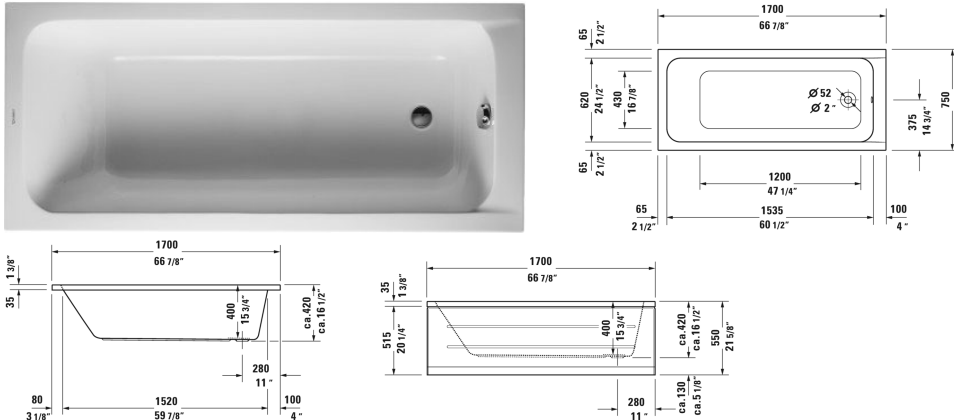


D-Code Bathtub # 700100000000090

< 66 7/8" Inch >



Bathtub	Dimension	Weight	Order number
rectangle, with one backrest slope, outlet in foot area, cUPC® listed*, Sanitary acrylic			
<b>Colors</b>			
00 White			
<b>Variant</b>			
Base tub	66 7/8" x 29 1/2" Inch	44 lb	700100000000090
<b>Infobox</b>			
* Complies with the following standards: CSA B45.5/IAPMO Z124			
<b>Suitable products</b>			
Tile flange ,			790112
Cable-driven waste and overflow ,			790220
Bathtub anchors for mounting and support of D-Code bathtubs and shower trays, 3 pieces,			790125
Panel front, for D-Code bathtubs, *, 67",			701041
Panel right, for D-Code bathtubs, *, 29 1/2",			701044
Panel left, for D-Code bathtubs, *, 29 1/2",			701047
Support frame (included), for D-Code bathtubs,			790133
Waste and overflow brass, Chrome trim,			791255

All drawings contain the necessary measurements which are subject to standard tolerances. They are stated in inch & mm and are non-binding. Exact measurements, in particular for customized installation scenarios, can only be taken from the finished ceramic piece.