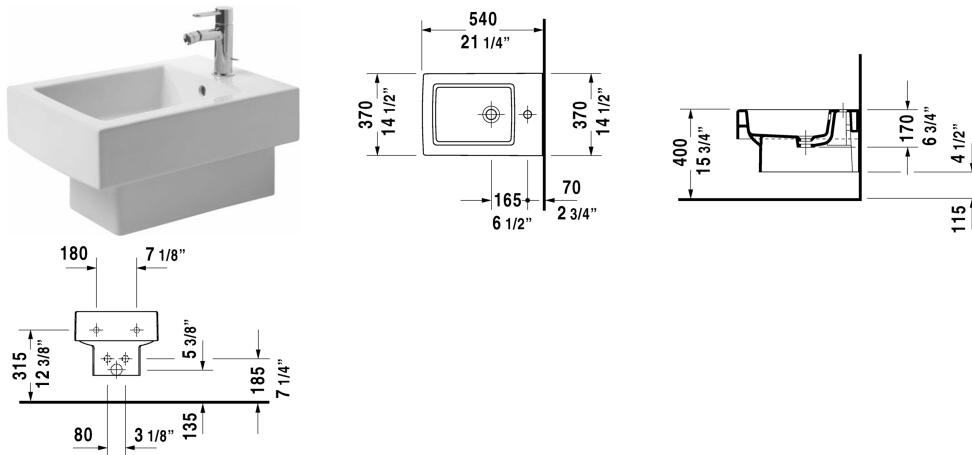


Vero Bidet wall-mounted # 223915..00

| < 14 5/8" Inch > |



| Bidet wall-mounted | Dimension | Weight | Order number |
|--|------------------------|---------|--------------|
| with overflow, with faucet deck, cUPC® listed*, 14 5/8" Inch | | | |
| Colors | | | |
| 00 White 08 Black | | | |
| Variant | | | |
| | 14 5/8" x 21 1/4" Inch | 47 lb | 223915..00 |
| Infobox | | | |
| * Complies with following standards: ASME A112.19.2/CSA B45.1, In-wall carrier required for installation | | | |
| Sanitary ceramics with the special WonderGliss surface finish will remain clean and attractive-looking for a long time to come. When ordering WonderGliss please add a "1" as eleventh digit to the model number. | | | |
| Geberit carrier for bidets | 19 3/4" x 4" Inch | 28.6 lb | 111520 |
| Siphon for bidet with extended outlet pipe | 1 1/4" x 19 3/4" Inch | 1.3 lb | 005027 |
| Hardware for wall-mounted bidet and wall-mounted toilet | Ø 1/2" x 7 1/8" Inch | 0.4 lb | 006500 |

All drawings contain the necessary measurements which are subject to standard tolerances. They are stated in inch & mm and are non-binding. Exact measurements, in particular for customized installation scenarios, can only be taken from the finished ceramic piece.