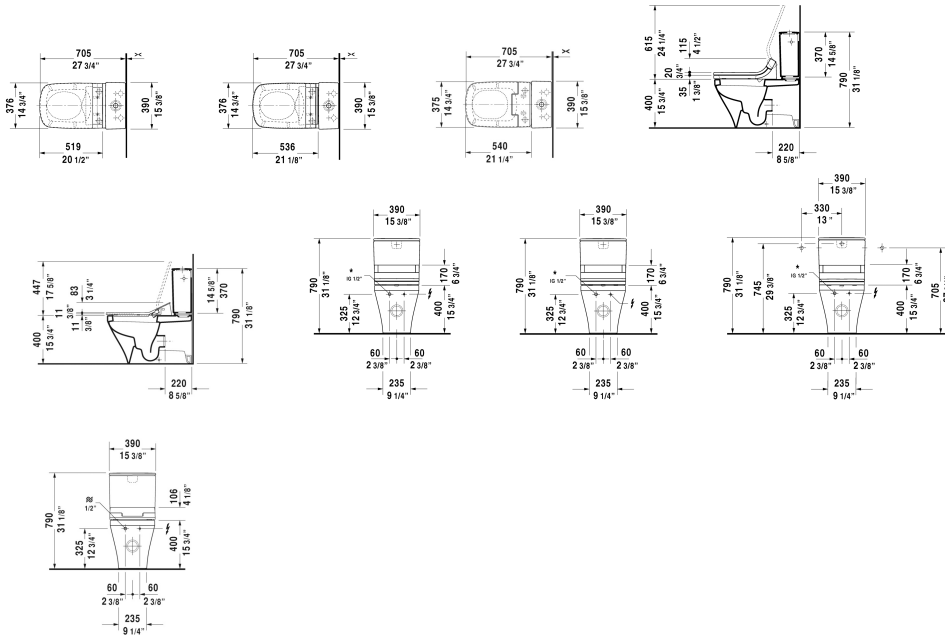


**DuraStyle Toilet close-coupled # 215659..92 / 215659..921**

**< 14 5/8" Inch >**



Toilet close-coupled	Dimension	Weight	Order number
(without tank), only in combination with SensoWash, washdown model, outlet for vario connector set, for horizontal and vertical outlet, length adjustable from 2 3/4" - 7 1/2", and vario connecting bend, vertical outlet from 7 1/8" - 8 5/8", connecting elements for SensoWash with concealed connections included, hardware included, cUPC listed			
<b>Colors</b>			
00 White 20 HygieneGlaze (an antibacterial ceramic glaze that provides almost indefinite effectiveness)			
<b>Variant</b>			
◆ 1.6/0.8 gpf	14 5/8" x 27 1/2" Inch	91.1 lb	215659..92
◆ 1.6/0.8 gpf	14 5/8" x 27 1/2" Inch	91.1 lb	215659..921
Vario connector set incl. excenter		3.3 lb	001422
Vario connecting bend for vertical outlet		1.5 lb	899025
<b>Suitable products</b>			
Tank with Dual Flush mechanism, Chrome, for bottom left supply, cUPC listed, 15 3/8" x 6 3/4" Inch	15 3/8" x 6 3/4" Inch		093510

**DuraStyle Toilet close-coupled # 215659..92 / 215659..921**

|< 14 5/8" Inch >|

<p>SensoWash DuraStyle C by Starck shower-toilet with concealed connections, remote control included, power actuated lid and seat, rear-, front and oscillating wash, individual adjustment of water-, air- and seat surface temperature as well as nozzle position and jet strength, self-cleaning wand, 2 individually programmable user profiles, night light, Quick release: easy seat unit removal and attachment, on / off-button, cIAPMO®ELECTRICAL, 14 3/4" x 20 1/2" Inch</p>	<p>14 3/4" x 20 1/2" Inch</p>	<p>610200</p>
<p>SensoWash Slim shower-toilet seat with concealed connections, remote control included, self-cleaning wand, Locking function via remote control, rear-, front and oscillating wash, with slow close, night light, Seat and lid easy removable one-handed, Automatic drainage in periods of prolonged disuse, on / off-button, cIAPMO®ELECTRICAL, 14 3/4" x 21 1/4" Inch</p>	<p>14 3/4" x 21 1/4" Inch</p>	<p>611200</p>

*All drawings contain the necessary measurements which are subject to standard tolerances. They are stated in inch & mm and are non-binding. Exact measurements, in particular for customized installation scenarios, can only be taken from the finished ceramic piece.*