

**AXOR Starck**  
**Single-Hole Faucet 170, 1.2 GPM**  
 Finish: **brushed nickel** Part no. : **10123821**



**Description**

**Features**

- Handle variant: pin
- Spray modes: aerated spray
- Max. flow: 1.2 GPM (4.5 L/Min)
- Ceramic cartridge

**Item details**

List Price \$ 1,444.00

**Technology**



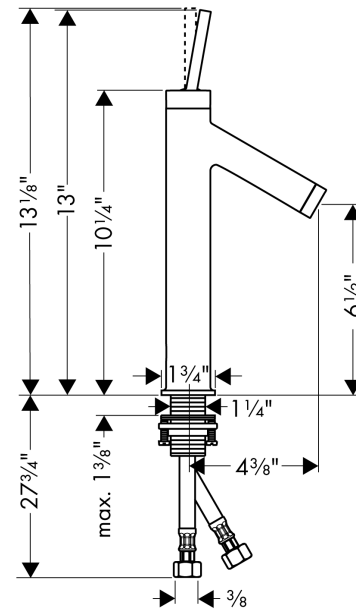
**Compliance / Sustainability**



**Product image**



**Scale drawing**

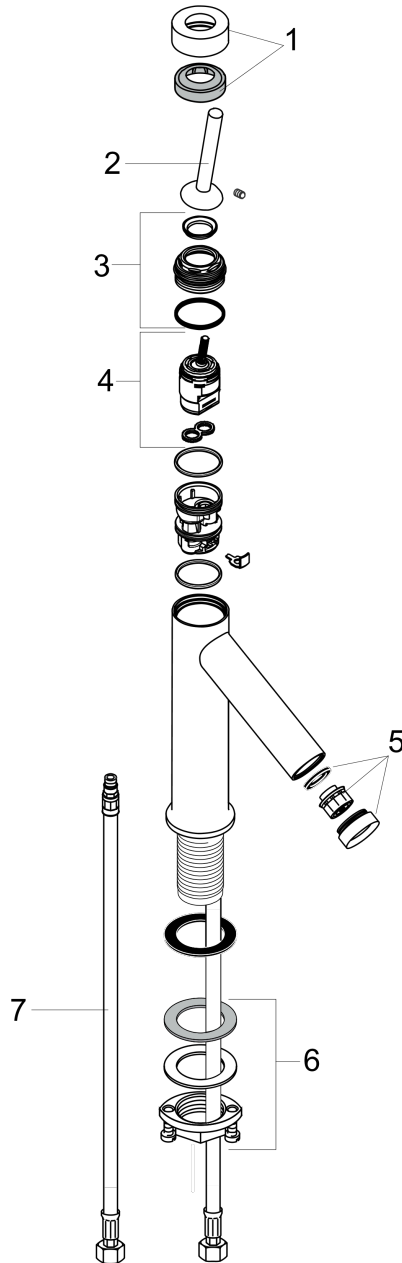


**AXOR Starck**  
**Single-Hole Faucet 170, 1.2 GPM**  
 Finish: **brushed nickel** Part no. : **10123821**



Exploded drawing

Year of production: >07/16



**AXOR Starck**  
**Single-Hole Faucet 170, 1.2 GPM**  
 Finish: **brushed nickel** Part no. : **10123821**



**Spare parts list**

Year of production: >07/16

Pos.	Description	Part no.	Price	PU
1	flange	97155820	-	1
2	handle	10092820	-	1
3	nut	97157000	-	1
4	cartridge, assy	96339000	-	1
5	aerator M24x1 (4,5 l/min)	92812820	-	1
6	fixing set (Ø 32)	13961000	-	1
7	connection hose 35½" M8x0,75 3/8"	96316001	-	1