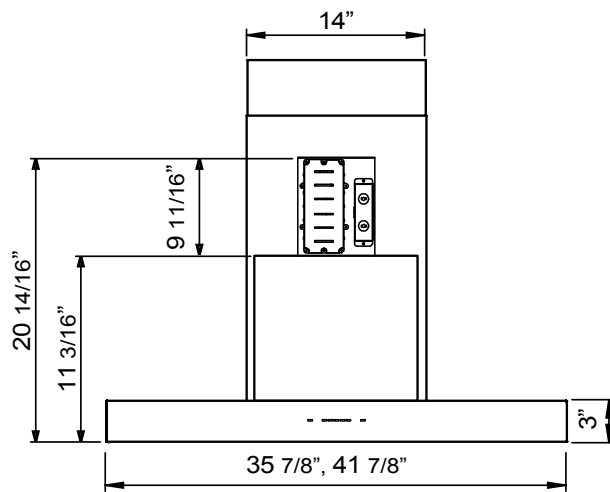
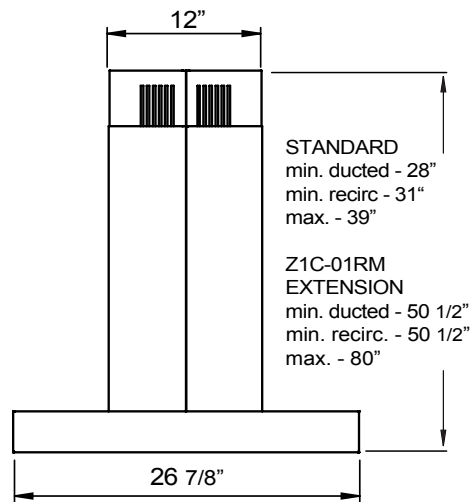


ACT™

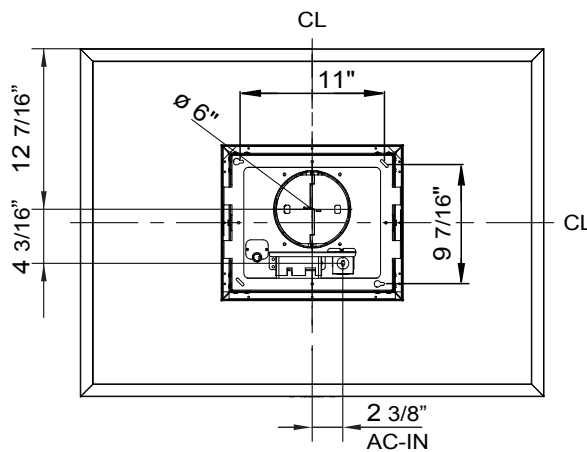
| Min. - Max. CFM   | INTERNAL BLOWER STANDARD | INTERNAL BLOWER with ACT™ AIRFLOW CONTROL TECHNOLOGY™*   |           |
|-------------------|--------------------------|--|-----------|
|                   |                          | 200 - 600  | 200 - 390 |
| Min. - Max. Sones | 1 - 6                    | *AIRFLOW CONTROL TECHNOLOGY™ (ACT™) is an exclusive feature built into specific Zephyr hoods which can limit the maximum blower CFM to meet local code requirements. |           |



FRONT



SIDE



TOP

## MODEL

|                 |           |           |
|-----------------|-----------|-----------|
| Stainless Steel | ZRM-E36FS | ZRM-E42FS |
| Size            | 36"       | 42"       |

|                           |           |           |
|---------------------------|-----------|-----------|
| Blower CFM (Min. - Max.)  | 200 - 600 | 200 - 600 |
| Sones (Min. - Max.)       | 1 - 6     | 1 - 6     |
| ACT 390 CFM (Min. - Max.) | 200 - 390 | 200 - 390 |
| ACT 290 CFM (Min. - Max.) | 200 - 290 | 200 - 290 |

## FEATURES

|                             |                          |                          |
|-----------------------------|--------------------------|--------------------------|
| ACT™ Technology             | Yes                      | Yes                      |
| Controls                    | ICON Touch®              | ICON Touch®              |
| Speed Levels                | 5*                       | 5*                       |
| Auto Delay-Off              | Yes                      | Yes                      |
| Lighting                    | LumiLight LED, 6W x4     | LumiLight LED, 6W x4     |
| Dual-Level Lighting         | Yes                      | Yes                      |
| Filters                     | Aluminum Mesh x2         | Aluminum Mesh x3         |
| Recirculating Option        | Yes                      | Yes                      |
| Quick-Lock Installation     | Yes                      | Yes                      |
| Magnetic Duct Covers        | Yes                      | Yes                      |
| Extension Duct Cover Option | Yes, Up to 12' Ceiling   | Yes, Up to 12' Ceiling   |
| ADA Compliant               | Yes, w/ remote accessory | Yes, w/ remote accessory |

## DUCT SPECIFICATIONS

|                            |                       |                       |
|----------------------------|-----------------------|-----------------------|
| Vertical Internal Blower   | 6" Round              | 6" Round              |
| Horizontal Internal Blower | NA                    | NA                    |
| AC POWER                   | 120V, 60Hz at Max. 4A | 120V, 60Hz at Max. 4A |

## OPTIONAL ACCESSORIES

|                             |          |          |
|-----------------------------|----------|----------|
| Wireless Remote Control Kit | RC-0002  | RC-0002  |
| Recirculating Kit           | ZRC-02RM | ZRC-01RM |
| Extension Duct Cover        | Z1C-01RM | Z1C-01RM |
| Make-Up Air Kit             | MUA006A  | MUA006A  |

|                         |           |           |
|-------------------------|-----------|-----------|
| MOUNTING HEIGHT RANGE** | 26" - 34" | 26" - 34" |
|-------------------------|-----------|-----------|

|          |                             |                             |
|----------|-----------------------------|-----------------------------|
| WARRANTY | 3 years parts, 1 year labor | 3 years parts, 1 year labor |
|----------|-----------------------------|-----------------------------|

| CEILING HEIGHT       |                          | 8'        | 8.5'      | 9'        | 9.5'        | 10'         | 10.5'     | 11'       | 12'       |
|----------------------|--------------------------|-----------|-----------|-----------|-------------|-------------|-----------|-----------|-----------|
| STANDARD DUCT COVER  | Ducted Mounting Height** | 26" - 32" | 27" - 34" | 33" - 34" | NA          | NA          | NA        | NA        | NA        |
|                      | Recirc Mounting Height** | 26" - 28" | 27" - 34" | 33" - 34" | NA          | NA          | NA        | NA        | NA        |
| EXTENSION DUCT COVER | Ducted Mounting Height** | NA        | NA        | NA        | 26" - 27.5" | 26" - 33.5" | 26" - 34" | 26" - 34" | 29" - 34" |
|                      | Recirc Mounting Height** | NA        | NA        | NA        | NA          | 26" - 29.5" | 26" - 34" | 26" - 34" | 29" - 34" |

\*When ACT™ is enabled the maximum speed levels will change. ACT 390 CFM = 3 speeds and ACT 290 CFM = 2 speeds.  
 \*\*Mounting height refers to distance between top of a 36" tall cooking surface and bottom of hood.

**ACT™** - Airflow Control Technology™ (ACT™)  
 is an exclusive feature built into specific Zephyr hoods which can limit the maximum blower CFM to meet local code requirements.

Specifications subject to change, check zephyronline.com for up-to-date information.  
 Zephyr Ventilation | 2277 Harbor Bay Parkway, Alameda, CA 94502 | 888.880.VENT

APR22.0101

