

Engineering Specification

Job Name _____

Contractor _____

Job Location _____

Approval _____

Engineer _____

Contractor's P.O. No. _____

Approval _____

Representative _____

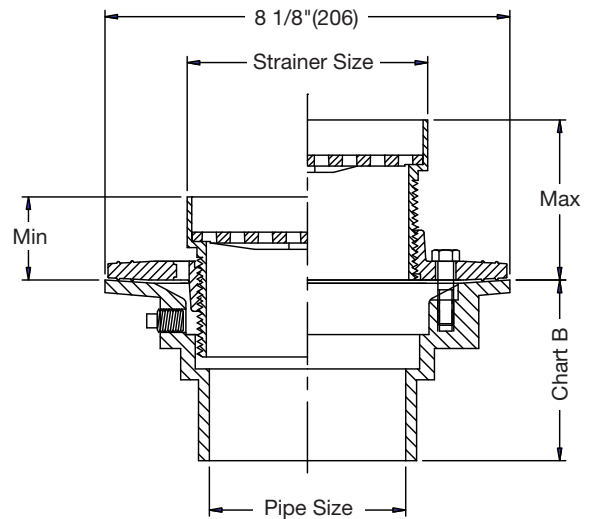
Tag _____

FD-100-ER Floor Drain with Extended Rim Strainer

Specification

Watts FD-100-ER epoxy coated cast iron floor drain with anchor flange, reversible clamping collar with primary & secondary weepholes, adjustable round nickel bronze extended rim strainer, and no hub (standard) outlet.

| Pipe Sizing | | |
|-------------|----------------------------------|--------------------------|
| Suffix | Description | |
| 2 | 2"(51) Pipe Size | <input type="checkbox"/> |
| 3 | 3"(76) Pipe Size | <input type="checkbox"/> |
| 4 | 4"(102) Pipe Size | <input type="checkbox"/> |
| 6 | 6"(152) Pipe Size No Hub Only | <input type="checkbox"/> |



| Outlet Type | | |
|-------------|-----------------|--------------------------|
| Suffix | Description | |
| NH | No Hub (MJ) | <input type="checkbox"/> |
| P | Push On | <input type="checkbox"/> |
| T | Threaded Outlet | <input type="checkbox"/> |
| X | Inside Caulk | <input type="checkbox"/> |

Strainer Size

| Str. Dia. | Min. | Max. | Load Rating | Free Area Sq. In. |
|-----------|------------|---------|-------------|-------------------|
| 5"(127) | 1 1/2"(38) | 4"(102) | NA | 7 |
| 7"(178) | 2 1/2"(64) | 4"(102) | NA | 13 |
| 9"(229) | 2 1/2"(64) | 4"(102) | NA | 22 |

| Options | | |
|---------|---------------------------------|--------------------------|
| Suffix | Description | |
| -5 | Sediment Bucket | <input type="checkbox"/> |
| -6 | Vandal Proof | <input type="checkbox"/> |
| -7 | Trap Primer Tapping | <input type="checkbox"/> |
| -8 | Backwater Valve (2, 3, 4" Only) | <input type="checkbox"/> |
| -13 | Galvanized Body | <input type="checkbox"/> |
| -15 | Strainer Extension (DD-50) | <input type="checkbox"/> |
| -SO | Side Outlet | <input type="checkbox"/> |

Chart B

| Pipe Size | Std. No Hub | P Push On | T Female Thread | X Inside Caulk | 60/61 PVC/ABS |
|-----------|-------------|-------------|-----------------|----------------|---------------|
| 2"(51) | 3-5/8"(92) | 4-1/4"(108) | 4-1/4"(108) | 4-1/2"(114) | 4"(102) |
| 3"(76) | 3-5/8"(92) | 4-1/4"(108) | 4-1/4"(108) | 4-1/2"(114) | 4"(102) |
| 4"(102) | 3-5/8"(92) | 4-1/4"(108) | 4-1/4"(108) | 4-1/2"(114) | 4"(102) |
| 6"(152) | 3-1/2"(89) | | | | |

NOTICE

The information contained herein is not intended to replace the full product installation and safety information available or the experience of a trained product installer. You are required to thoroughly read all installation instructions and product safety information before beginning the installation of this product.

Watts product specifications in U.S. customary units and metric are approximate and are provided for reference only. For precise measurements, please contact Watts Technical Service. Watts reserves the right to change or modify product design, construction, specifications, or materials without prior notice and without incurring any obligation to make such changes and modifications on Watts products previously or subsequently sold.



USA: T: (800) 338-2581 • F: (828) 248-3929 • Watts.com

Canada: T: (888) 208-8927 • F: (888) 479-2887 • Watts.ca

Latin America: T: (52) 55-4122-0138 • Watts.com