

**38-3.91FL-\_-\_-EV4**

Floor Mounted Exposed Tub and Shower Set with Hand Shower

Hand Shower Flow Rate: 1.75 GPM

Note: Some building codes may require a remote pressure balance valve for anti-scald

Note: Please specify (H-J, O-R, U-W)



Meets the applicable requirements of ASME A112.18.1-2005/CSA B125.1-05, entitled "Plumbing Supply Fittings"

### 38-3.91FL-\_-\_-EV4

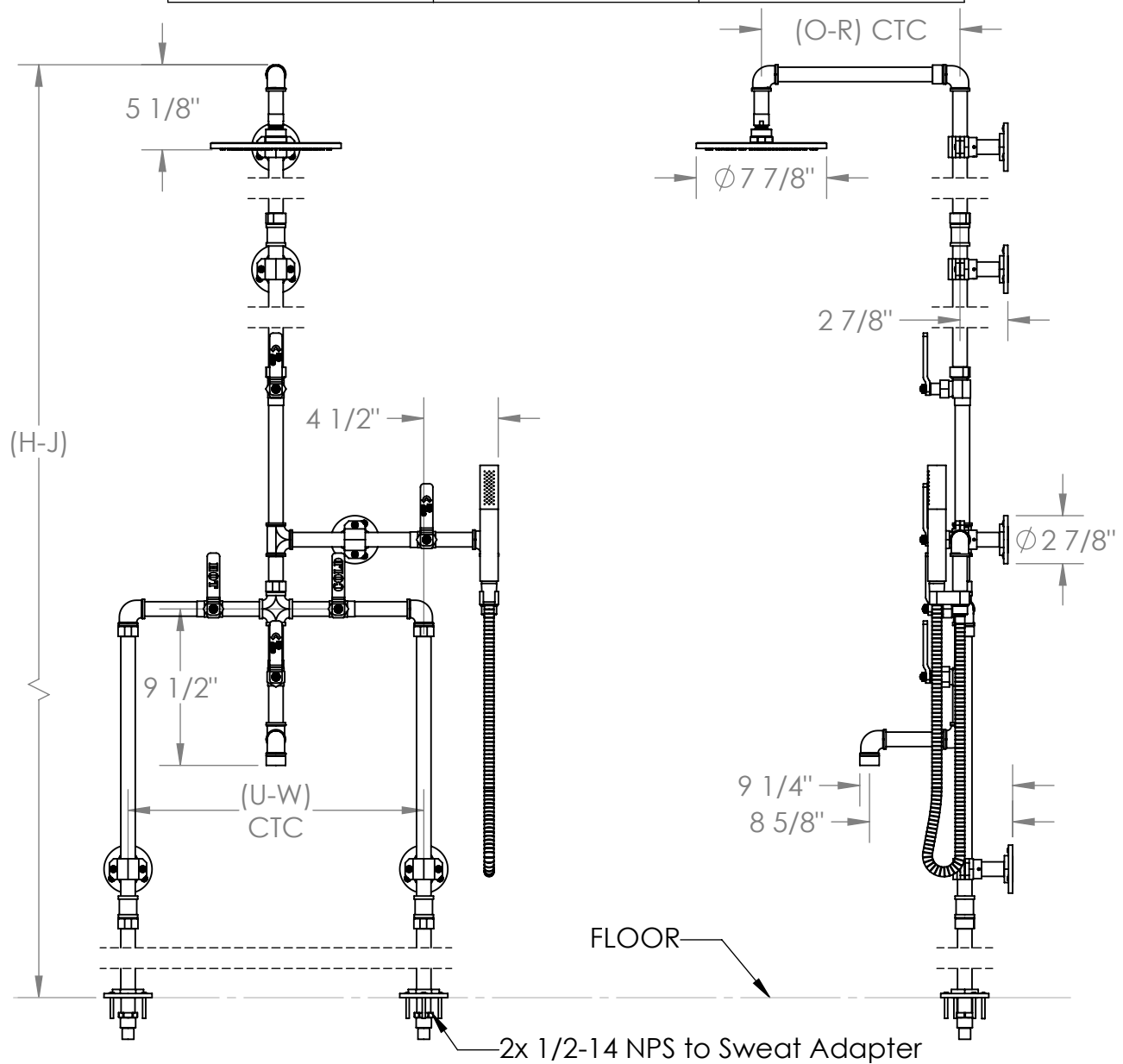
Floor Mounted Exposed Tub and Shower Set with Hand Shower

Hand Shower Flow Rate: 1.75 GPM

Note: Some building codes may require a remote pressure balance valve for anti-scald

Note: Please specify (H-J, O-R, U-W)

| HEIGHT  | PROJECTION | MOUNT SPREAD |
|---------|------------|--------------|
| H = 84" | O = 12"    | U = 8"       |
| I = 90" | P = 14"    | V = 12"      |
| J = 96" | Q = 16"    | W = 18"      |
| -----   | R = 18"    | -----        |



Meets the applicable requirements of ASME A112.18.1-2005/CSA B125.1-05, entitled "Plumbing Supply Fittings"