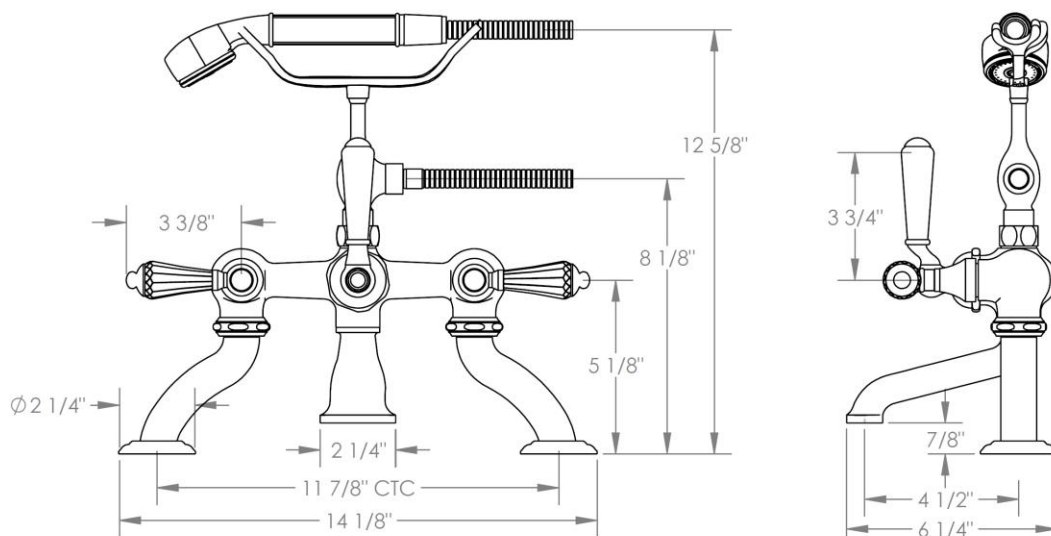


180-8.2-__

Deck Mounted Exposed Bath Set with Hand Shower

Hand Shower Flow Rate: 1.75 GPM

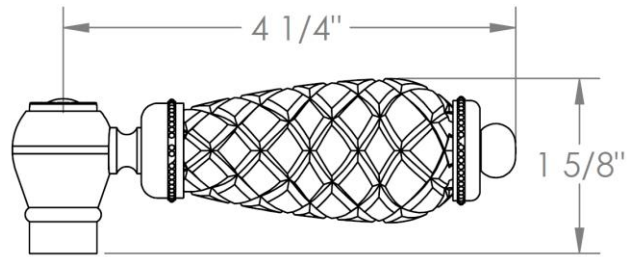
Note: Some building codes require remote pressure balance valves for anti-scald



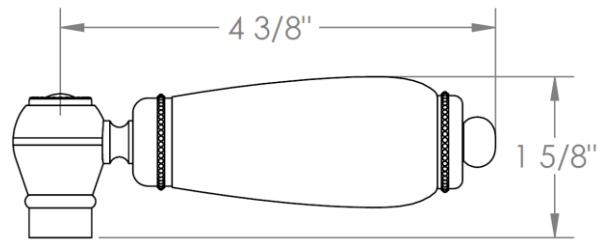
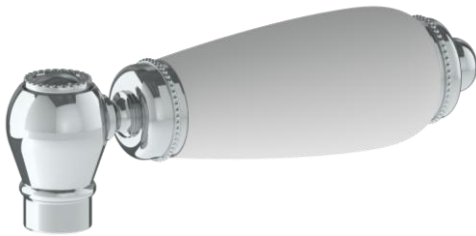
Meets the applicable requirements of ASME A112.18.1-2005/CSA B125.1-05, entitled "Plumbing Supply Fittings"

HANDLE TRIM OPTIONS

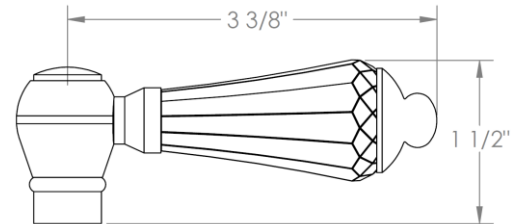
AA - VENICE
BB - GENOA



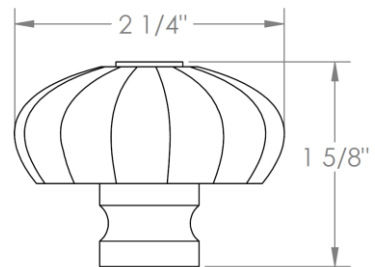
CC - POMPEI
DD - NAPLES



SWU - FLORENCE



T - TUSCANY



U - BOLOGNA

