

ELECTRIC RANGE

for residential use only



Models: **VDFSEE365..**

INSTALLATION INSTRUCTIONS

IMPORTANT - PLEASE READ AND FOLLOW

- Before beginning, please read these instructions completely and carefully.
- Do not remove permanently affixed labels, warnings, or plates from the product. This may void the warranty.
- Please observe all local and national codes and ordinances.
- Please ensure that this product is properly grounded.
- **The installer should leave these instructions with the consumer who should retain for local inspector's use and for future reference.**

Electrical installation must be in accordance with the National Electrical Code, ANSI/NFPA70 - latest edition and/or local codes.

IN CANADA: Electrical installation must be in accordance with the current CSA C22.1 Canadian Electrical Codes Part 1 and/or local codes.

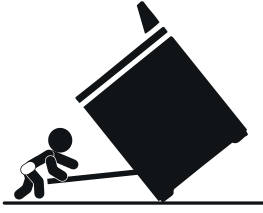
Some models are supplied with a protective film on steel and aluminium parts. This film must be removed before installing/using the appliance.

FOR INSTALLER ONLY

THIS RANGE IS FOR RESIDENTIAL USE ONLY

WARNING

Tip-Over Hazard



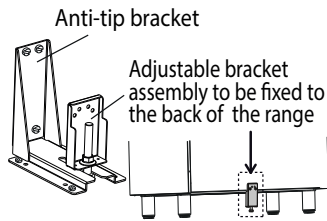
A child or adult can tip the range and be killed.

Install anti-tip device to range and/or structure per installation instructions.

Engage the range to the anti-tip device installed to the structure.

Re-engage anti-tip device if range is moved.

Failure to follow these instructions can result in death or serious burns to children and adults.



To verify the anti-tip bracket is installed and engaged:

- Slide range forward.
- Look for the anti-tip bracket securely attached to floor or wall.
- Look for the adjustable bracket assembly securely attached to the back of the range.
- Slide range back so bolt head, on the adjustable bracket assembly, is under anti-tip bracket.
- See installation instructions for details.



WARNING: This product can expose you to chemicals including formaldehyde, which is known to the State of California to cause cancer, and lead, which is known to the State of California to cause birth defects or other reproductive harm. For more information go to www.P65Warnings.ca.gov.

This appliance is designed and manufactured solely for the cooking of domestic (household) food and is not suitable for any non-domestic application and therefore should not be used in a commercial environment.

The appliance warranty will be void if the appliance is used within a non-domestic environment i.e. a semi-commercial, commercial or communal environment.

INSTALLATION INSTRUCTIONS

WARNING!

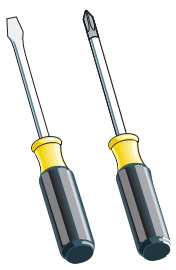
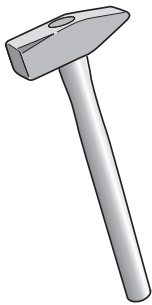

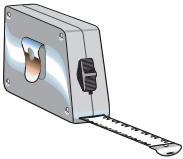
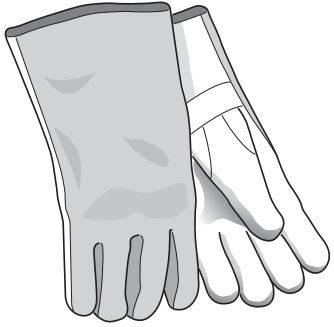
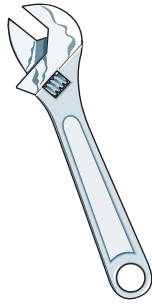
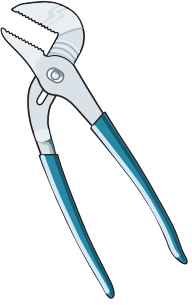
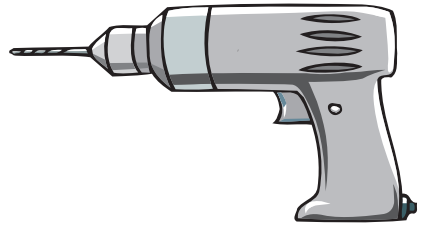
THIS APPLIANCE MUST BE INSTALLED BY A QUALIFIED INSTALLER.

Installation must conform with local codes.

Improper installation, adjustment, alteration, services, or maintenance can cause injury or property damage. Consult a qualified installer or a service agent.

 WARNING!!	IMPORTANT: The use of suitable protective clothing/gloves is recommended when handling, installing of this appliance.
--	--

TOOLS NEEDED FOR INSTALLATION (NOT SUPPLIED WITH THE APPLIANCE)

 <p>Screwdriver</p>	 <p>Hammer</p>	 <p>Pencil</p>	 <p>Tape measure</p>
 <p>Suitable protective gloves</p>	 <p>Adjustable wrench</p>	 <p>Adjustable pliers</p>	 <p>Drill</p>

GENERAL INFORMATION



WARNING!!

1. **This appliance shall not be used for space heating. This information is based on safety considerations.**
2. All openings in the wall behind the appliance and in the floor under the appliance shall be sealed.
3. Keep appliance area clear and free from combustible materials, gasoline, and other flammable vapors.
4. Do not obstruct the flow of ventilation air.
5. Disconnect the electrical supply to the appliance before servicing.
6. When removing appliance for cleaning and/or service;
 - A. Disconnect AC power supply.
 - B. Carefully remove the range by pulling outward.

CAUTION: Range is heavy; use care in handling.
7. **Electrical Requirement**
Electrical installation should comply with national and local codes.
8. The misuse of oven door (e.g. stepping, sitting, or leaning on them) can result in potential hazards and/or injuries.
9. When installing or removing the range for service, a rolling lift jack should be used. Do not push against any of the edges of the range in an attempt to slide it into or out of the installation. Pushing or pulling a range (rather than using a lift jack) also increases the possibility of bending the leg spindles or the internal coupling connectors.



WARNING!!

ELECTRICAL GROUNDING INSTRUCTIONS

The range must be electrically grounded in accordance with local codes or, in the absence of local codes, with the National Electrical Code, ANSI/NFPA No. 70-latest edition, in Canada Canadian Electrical Code. Installation should be made by a licensed electrician.

FOR PERSONAL SAFETY, THIS APPLIANCE MUST BE PROPERLY GROUNDED.

If an external electrical source is utilized, the installation must be electrically grounded in accordance with local codes or, in the absence of local codes, with the national Electrical Code, ANSI/NFPA 70.

REPLACEMENT PARTS

Only authorized replacement parts may be used in performing service on the range. Replacement parts are available from factory authorized parts distributors. Contact the nearest parts distributor in your area.

PROXIMITY TO SIDE CABINETS

- This range may be installed directly adjacent to existing 36" (914 mm) high base cabinets.

Range dimensions:

- width: 35 7/8" (911 mm) (width of cabinetry opening 36", 914 mm)
- depth: 25" 1/4 (641 mm)
- height (without backguard): MIN 35" 3/8 (898 mm) - MAX 37" 1/4 (946 mm)
- backguard (height): 3" (76 mm)
- island trim (height): level with cooking hob

Note: the island trim is supplied with the appliance while the backguard can be purchased as a separate kit.

Grounded outlet: The electric cord with 4-prong ground plug (NEMA 14-50P) shall have a minimum length of 48" (1220 mm) beyond the back of the appliance. The grounded outlet should be located 7/32" (6 mm) from the left or right side for 35" 7/16 (899 mm) towards the centre of range; from 8" 1/8 (206.5 mm) to 10" 3/32 (256.5 mm) [depending on feet regulation] from the floor.

- The range CANNOT be installed directly adjacent to sidewalls, tall cabinets, tall appliances, or other side vertical surfaces above 36" (914 mm) high.

There must be a minimum of 2" (50 mm) side clearance from the range to such combustible surfaces TO THE LEFT or TO THE RIGHT above the 36" (914 mm) high countertop.

IMPORTANT: One side (left or right) above the 36" (914 mm) high countertop must always be kept clear.

- The maximum upper cabinet depth recommended is 13" (330 mm). Wall cabinet above the range must be a minimum of 30" (762 mm) (see also "Additional information about minimum clearance from cooking surface to overhead cabinet or ventilation hood" here below) above the countertop for a width of minimum 36" (911 mm): it has to be centered with the range. Side wall cabinets above the range must be a minimum of 18" (457 mm) above the countertop.

Additional information about minimum clearance from cooking surface to overhead cabinet or ventilation hood:

- 30" (762 mm), overhead cabinet centered above the cooktop (combustible/unprotected) (see also notes #1, #2)
- 24" (610 mm), overhead cabinet centered above the cooktop (non-combustible/protected) (see also notes #1, #2)
- 24" (610 mm), ventilation hood centered above the cooking surface (see also notes #3)

Note #1

To eliminate the risk of burns or fire by reaching over heated surface units, cabinet storage space located above the surface units should be avoided. If cabinet storage is to be provided, the risk can be reduced by installing a rangehood that projects horizontally a minimum of 5" (127mm) beyond the bottom of the cabinets.

Note #2

30" (762mm) minimum clearance between the top of the cooking surface and the bottom of an unprotected wood or metal cabinet; or 24" (610mm) minimum when bottom of wood or metal cabinet is protected by not less than 1/4" thick flame retardant millboard covered with not less than No. 28 MSG sheet steel, 0.015" (0.4 mm) thick stainless steel, 0.024" (0.6 mm) thick aluminum, or 0.020" (0.5 mm) thick copper.

Note #3

Refer to local/national codes for ventilation requirements.

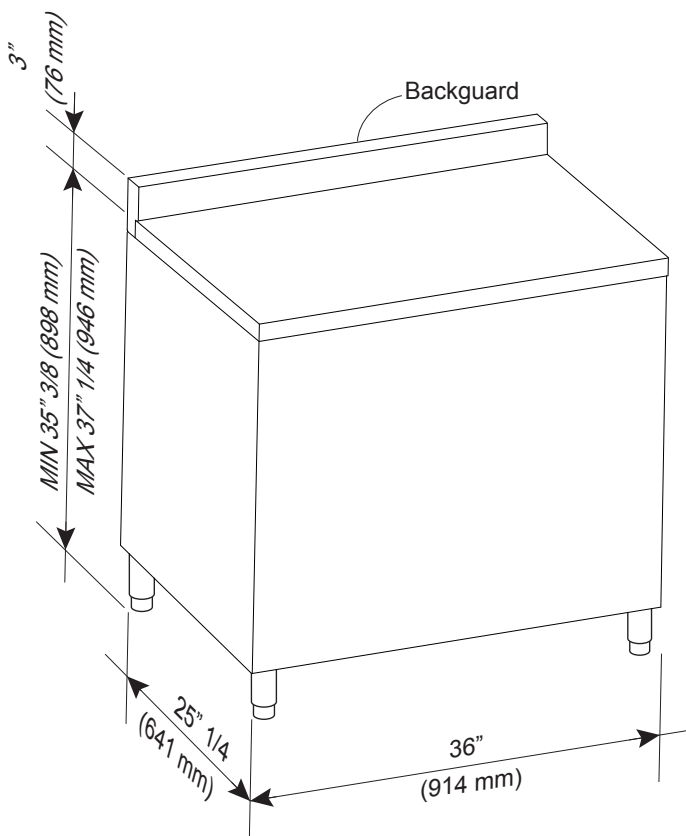


Fig. 1.1a

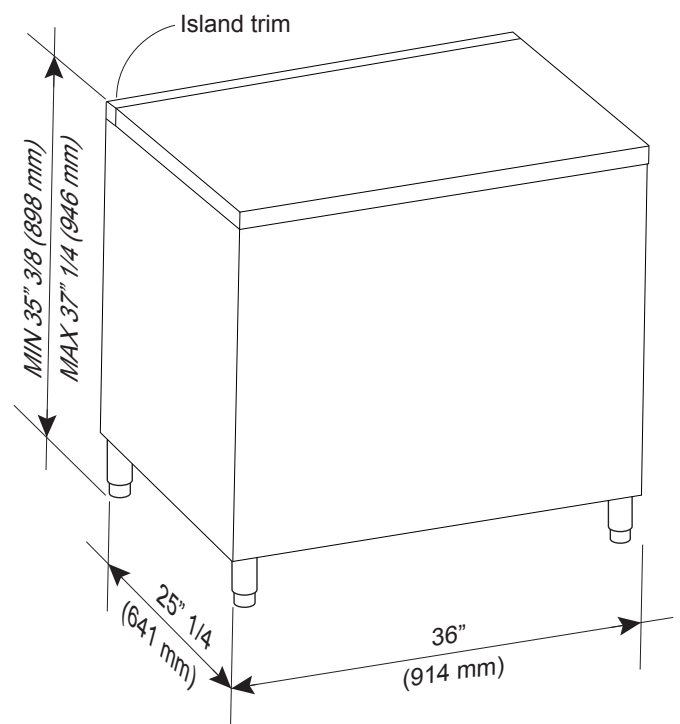


Fig. 1.1b

ELECTRIC CONNECTION

Ref.	inch	mm
A	1/4"	6
B	35" 3/8	899
C	8" 1/8 - 10" 1/8 (*)	207 - 257 (*)

(*) : Depending on feet regulation

Dotted line showing the position of the range when installed

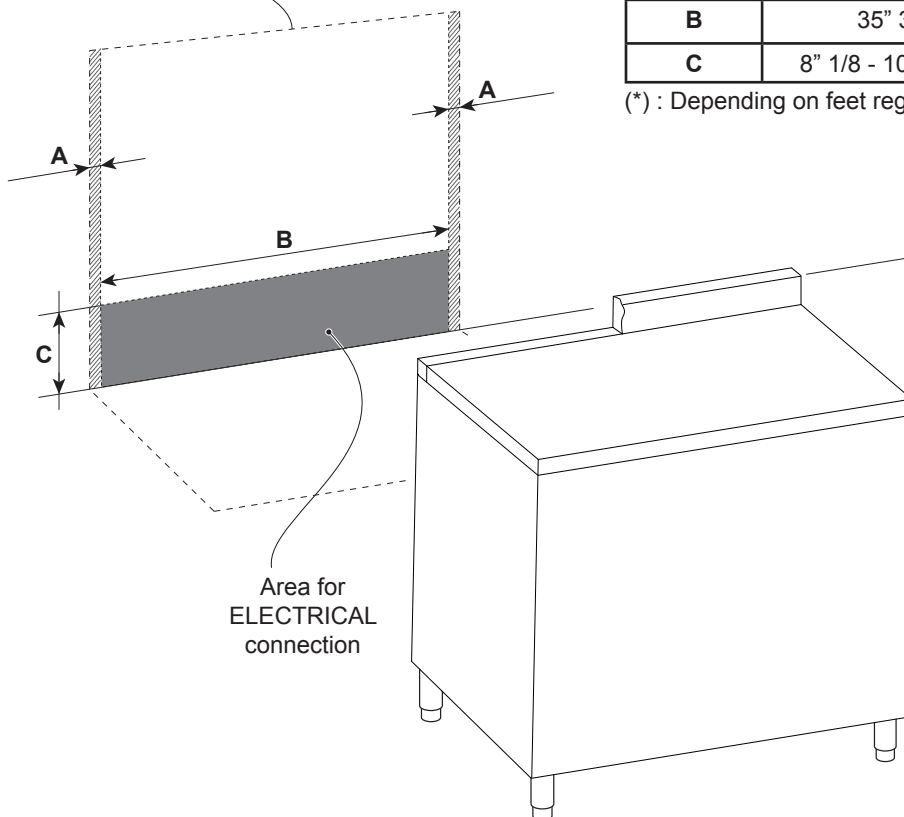


Fig. 1.2

ISLAND TRIM AND BACKGUARD

- It is mandatory to install and use the appliance with the island trim or backguard correctly in place.
- The island trim is already fitted to the appliance while the backguard can be purchased as a separate kit.
- If replacing the island trim with the backguard, assemble it by using the same screws/spacers used for fixing the island trim (figures 1.3a, 1.3b).

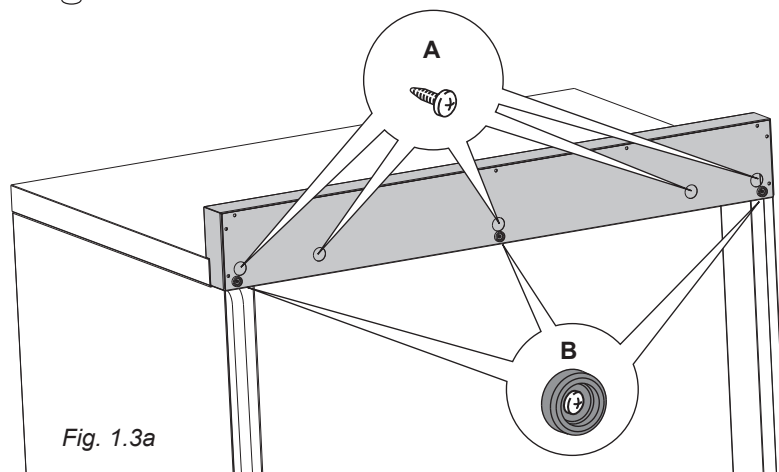


Fig. 1.3a

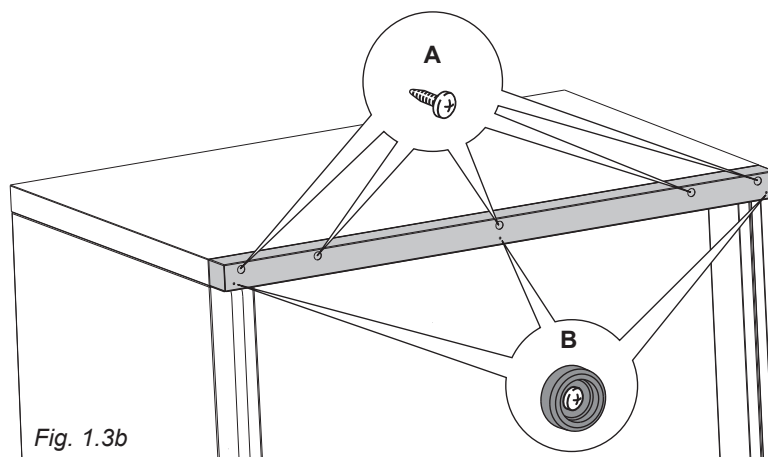
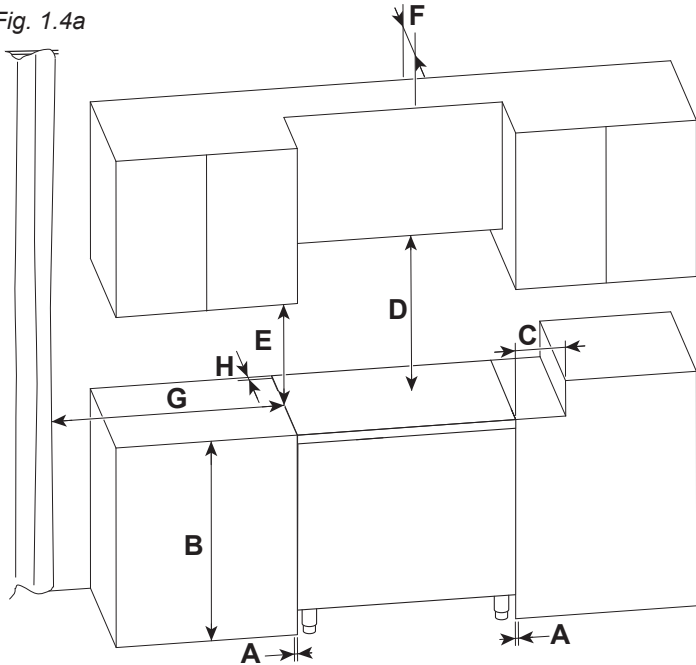


Fig. 1.3b

PROXIMITY TO SIDE CABINETS STANDARD INSTALLATION AND ISLAND INSTALLATION

Fig. 1.4a

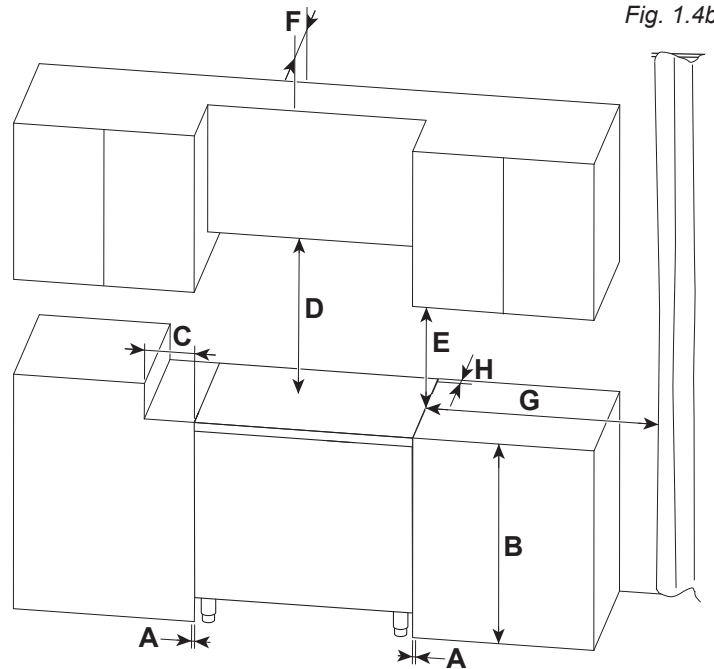


Ref.	inch	mm
A	0"	0
B	36" (*)	914 (*)
C	2"	50
D	30" minimum (**)	762 minimum (**)
E	18" minimum	457 minimum
F	13" maximum	330 maximum
G	20" minimum	500 minimum
H	0"	0

(*) Maximum height of cabinetry immediately adjacent to the range (from floor to countertop). Depending on the height of the feet adjustment. The cooking surface must sit flush or above countertop level.

(**) See also "Additional information about minimum clearance from cooking surface to overhead cabinet or ventilation hood" at page no.6.

Fig. 1.4b



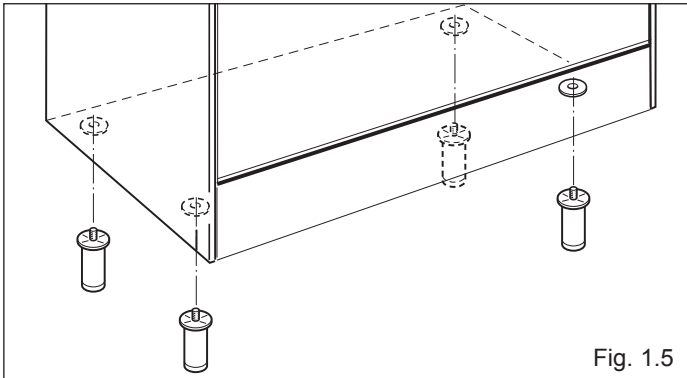


Fig. 1.5

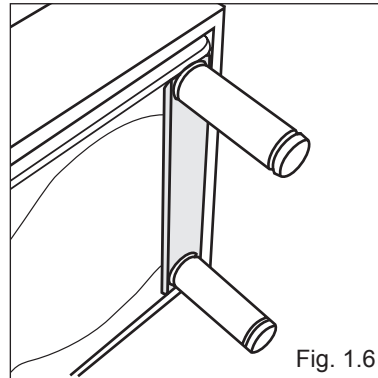


Fig. 1.6

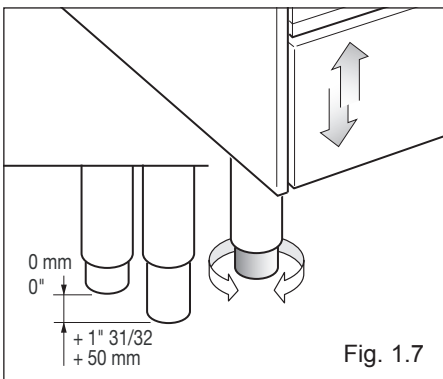


Fig. 1.7

FITTING THE ADJUSTABLE FEET

The adjustable feet must be fitted to the base of the cooker before use.

Rest the rear of the cooker on a piece of the polystyrene packaging exposing the base for the fitting of the feet.

ATTENTION: Most important! Pay special attention not to damage the range during this operation.

Fit the 4 legs by screwing them tight into the support base as shown in picture 1.5 - 1.6.

LEVELLING THE COOKER

The cooker may be levelled by screwing the lower ends of the feet IN or OUT (fig. 1.7). It is important to observe the directions of figure 1.7.

MOVING THE COOKER

WARNING

When raising cooker to upright position always ensure two people carry out this manoeuvre to prevent damage to the adjustable feet (fig. 1.8a).

WARNING

Be careful: do not lift the cooker by the door handle when raising to the upright position (fig. 1.8b).

WARNING

When moving cooker to its final position **DO NOT DRAG** (fig. 1.8c). Lift feet clear of floor (fig. 1.8a).

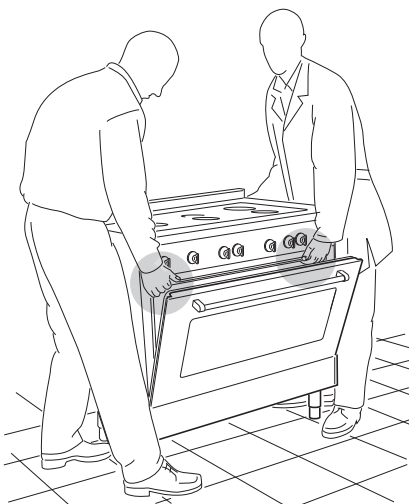


Fig. 1.8a

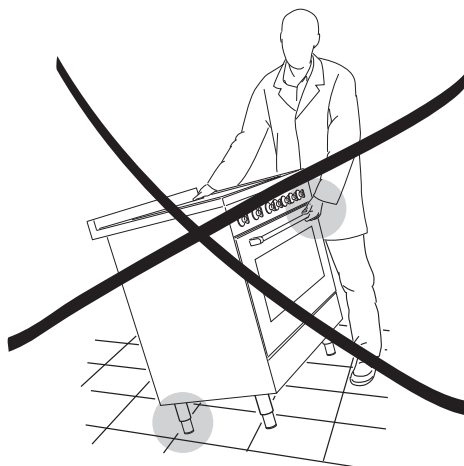


Fig. 1.8b

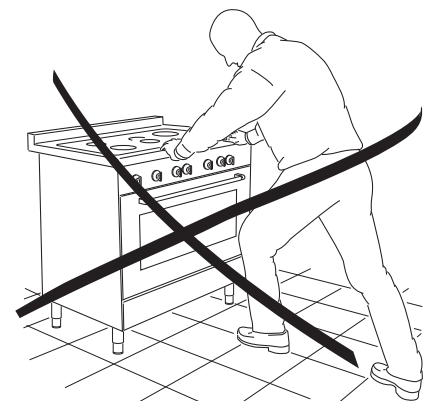


Fig. 1.8c

INSTALLING THE ANTI-TIP BRACKET

The anti-tip bracket has two components:

- the adjustable bracket
- the stability bracket

IMPORTANT!

You must install both parts of the anti-tip bracket and ensure they are properly fitted together to prevent the range from tipping.

To fit the anti-tip bracket

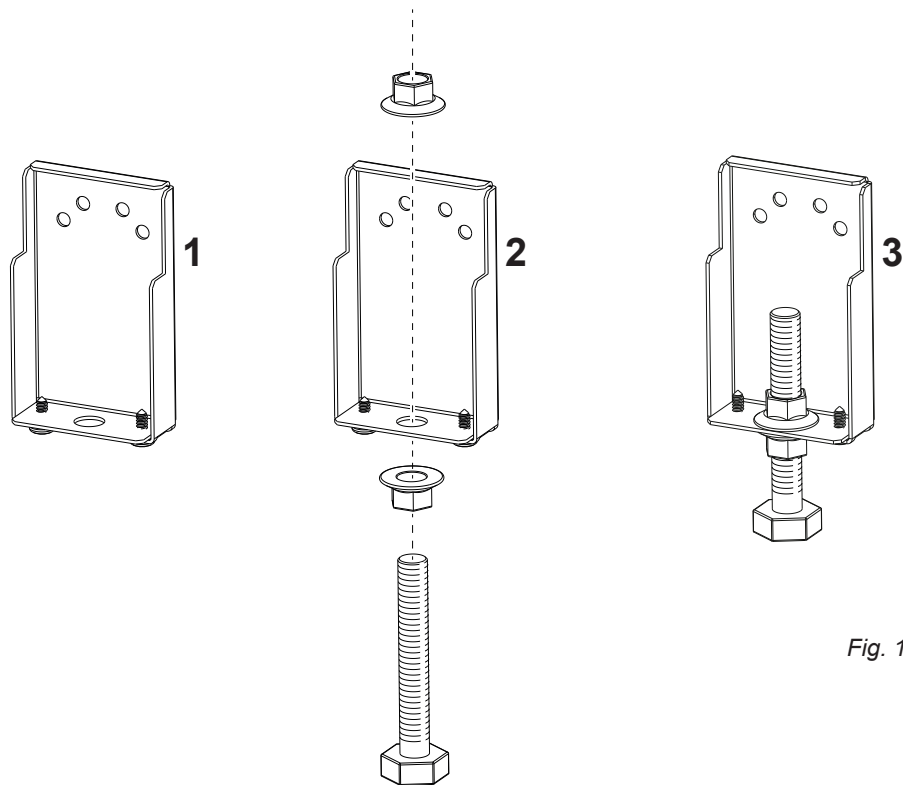


Fig. 1.9

1. Thread the bolt through the adjustable bracket and fix in place using the two supplied nuts. Ensure the nuts are well tightened.

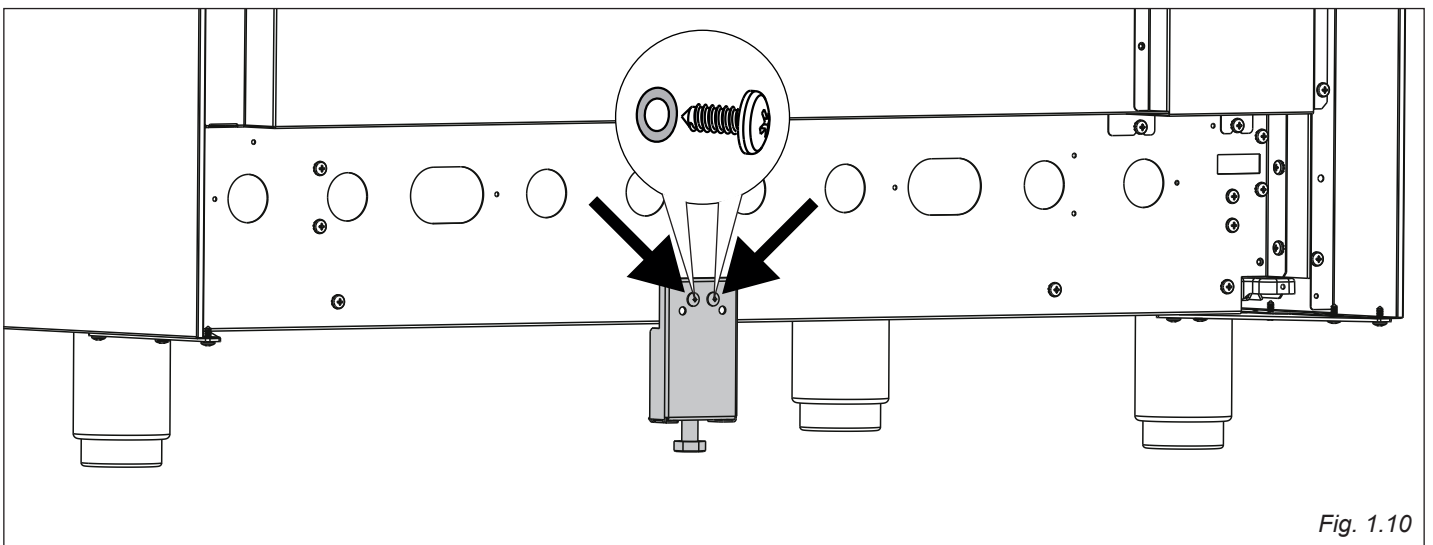


Fig. 1.10


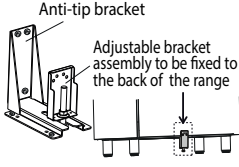
2. Fix the adjustable bracket to the back of the range (centered on the lower edge) using the two supplied screws and washers.

3. Fix the stability bracket in place. It can be fixed as follows:

- To the floor OR on the rear wall by #4 screws (supplied).
 - To the floor AND on the rear wall by #8 screws (supplied).
 - There are 8 x wood screws and 8 x screws with plastic sleeve anchors supplied with the range in two separate kits. Use the proper screws according to the type of material on the floor and/or wall.
 - If using the plastic sleeve anchors: drill 5/16" (8mm) diameter holes and insert the supplied plastic sleeve anchors before attaching the stability bracket with the screws.
4. Slide the range into place, ensuring the bolt on the adjustable bracket slots under the stability bracket.
- Adjust the length of the bolt as necessary. Ensure the two nuts are well tightened after any adjustments.

IMPORTANT!

- Use the proper screws to fix the stability bracket in place according to the type of material on the floor and/or wall.
- Before drilling and holes or inserting any screws into the floor or wall check that you will not damage any wiring or pipes.

	<p>WARNING</p> <p>Tip-Over Hazard</p> <p>A child or adult can tip the range and be killed.</p> <p>Install anti-tip device to range and/or structure per installation instructions.</p> <p>Engage the range to the anti-tip device installed to the structure.</p> <p>Re-engage anti-tip device if range is moved.</p> <p>Failure to follow these instructions can result in death or serious burns to children and adults.</p>
 <p>Anti-tip bracket</p> <p>Adjustable bracket assembly to be fixed to the back of the range</p>	<p>To verify the anti-tip bracket is installed and engaged:</p> <ul style="list-style-type: none"> - Slide range forward. - Look for the anti-tip bracket securely attached to floor or wall. - Look for the adjustable bracket assembly securely attached to the back of the range. - Slide range back so bolt head, on the adjustable bracket assembly, is under anti-tip bracket. - See installation instructions for details.

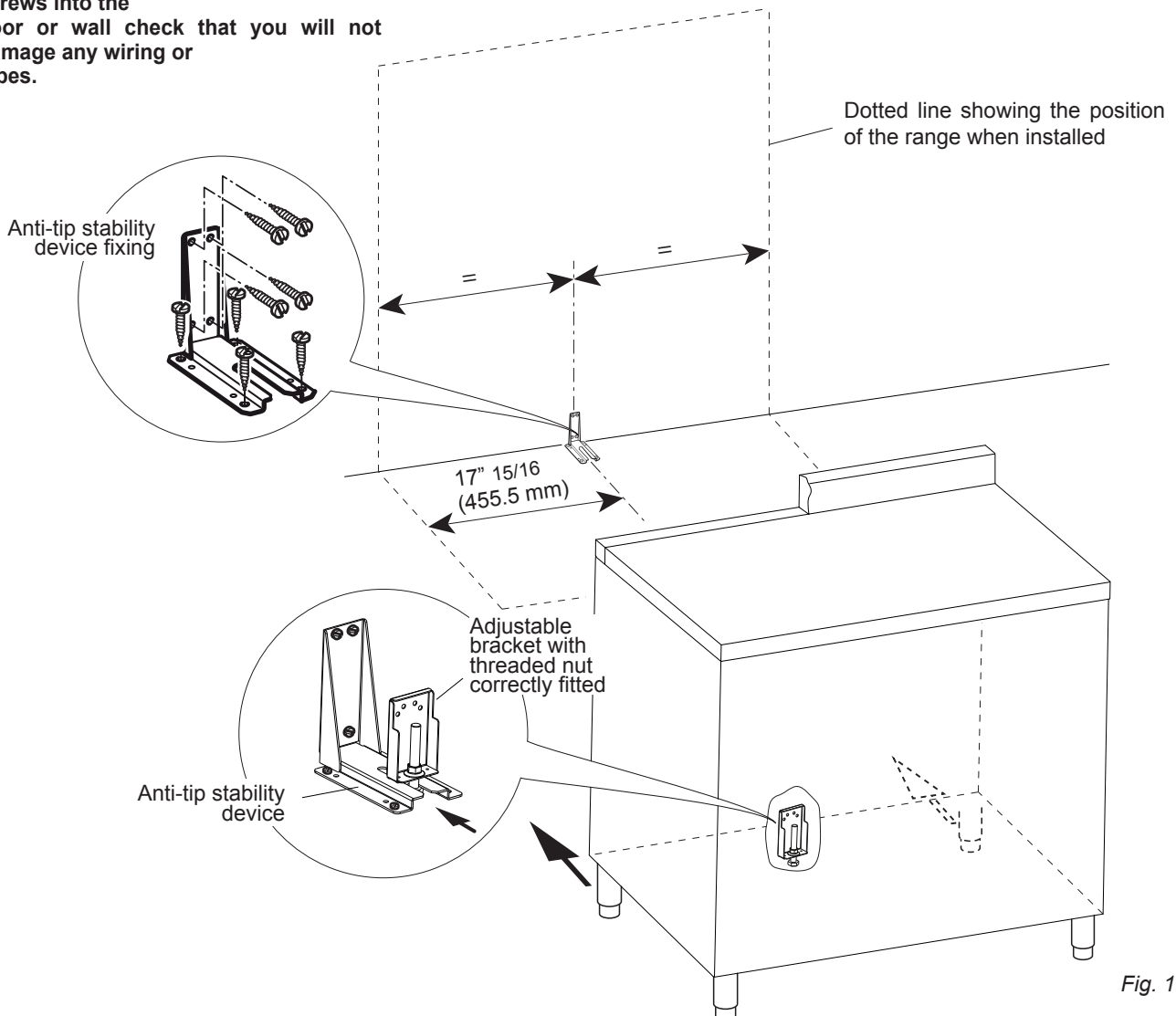


Fig. 1.11



WARNING

TO AVOID ELECTRICAL SHOCK HAZARD, BEFORE INSTALLING THE APPLIANCE, SWITCH POWER OFF AT THE SERVICE PANEL AND LOCK THE PANEL TO PREVENT THE POWER FROM BEING SWITCHED ON ACCIDENTALLY.



WARNING!!



Electrical Shock Hazard
Electrically ground range. Failure to follow these instructions can result in death, fire, or electrical shock.

ELECTRICAL REQUIREMENTS

- This appliance must be properly installed and grounded by a qualified technician in accordance with the National Electrical Code ANSI/NFPA No.70 (latest edition) and local electrical code requirements. IN CANADA: Electrical installation must be in accordance with the current CSA C22.1 Canadian Electrical Codes Part1 and/or local codes.
- This appliance may be connected by means of permanent “Hard Wiring” or “Power Supply Cord Kit”.
 - For USA only: power supply cord is not supplied, but it is available through your local electric supply house.
 - For Canada only: it is mandatory to connect the range by using cordset with plug supplied.
- Use only 3-conductor or 4-conductor CSA/UL listed range cord rated at 50 amps with 250 V minimum and provided with ring terminals. These cords should be provided with strain relief or conduit connector.

Warning: Frame grounded through neutral lead. If used in,

- New branch-circuit installations (1996 NEC),
- Mobile homes,
- Recreational vehicles, or
- In an area where local codes prohibit grounding through neutral, use a 4 conductor cord or conduit.

- The range must be connected to the proper electrical voltage and frequency as specified on the rating plate.
- The range can be connected directly to the fused disconnect (or circuit breaker box) through flexible, armoured or non-metallic sheathed, copper cable (with grounding wire). Allow two to three feet of slack in the line so that it can be moved if servicing is ever necessary.

Voltage and Power Consumption

AC 120/240 V 60 Hz 11150 W MAX 46.63 A MAX
AC 120/208 V 60 Hz 8380 W MAX 40.30 A MAX

ELECTRICAL CONNECTION WITH POWER CORD

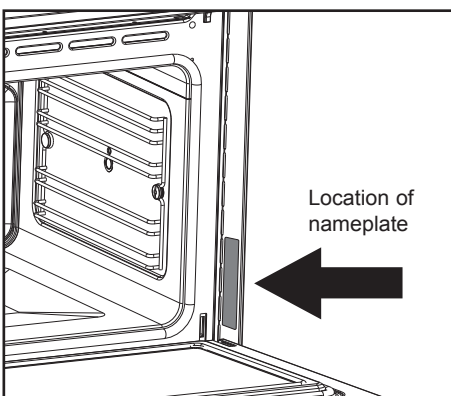
Use a 3-wire power supply cord kit rated for 50 amps - 125/250 volts with closed loop terminals and marked for use with ranges. Where local codes do not permit grounding through neutral, use a 4-wire power supply cord kit.

The cord must be secured to the range with a suitable strain relief. The electrical connection is made at the terminal block, which is located behind the terminal block access plate on the back of the range.

ELECTRICAL CONNECTION WITH CONDUIT

Use 3/4” trade size CSA/UL-listed conduit with a conduit clamp, 10 AWG/600 volt copper conductor colored red for line 1 and black for line 2 and 12 AWG/600 volt copper conductor (or 10 AWG/600 Volt copper conductor if grounding through neutral) colored white for neutral with closed loop terminals marked for use with ranges.

Where local codes do not permit grounding through neutral, use a green 10 AWG copper conductor as directed in the 4-wire connector directions. The conduit must be secured to the range with the strain relief bracket. The electrical connection is made at the terminal block which is located behind the terminal block access plate on the back of the range.



PERMANENT CONNECTION (HARD WIRING)

For Canada only: it is mandatory to connect the range by using cordset with plug supplied.

- Units may be hard wired to the power supply. The installer must provide approved flexible aluminium conduit, 3/4" (19mm) trade size, maximum 6ft (1.8m) long. Locate the terminal block on the rear of the unit and remove access cover.
- The strain relief bracket orientation must be so that the 1 1/8" (29mm) smaller opening is facing down (fig. 3.1). If not, the strain relief bracket orientation must be switched in order to accommodate for a permanent wiring connection:
 1. Remove the 2 screws on the bracket.
 2. Re-secure bracket with the 2 screws so that the 1 1/8" (29mm) smaller opening is facing down.
- The conduit must be installed to the terminal block using an approved conduit connector. The free end of the conduit must be connected to a junction box provided in the electrical supply zone.
- Mount a strain relief (not provided) into the 1 1/8" (29mm) diameter hole located below the terminal block. Wiring for the unit is to be brought into the terminal block through the conduit and through the strain relief. Make suitable connections to the terminal block provided.
- Installer — Show the owner the location of the circuit breaker. Mark it for easy reference.

4-Wire Installation (fig. 3.2)

1. Loosen the L1, L2 and neutral screws.
2. Mount the conduit fitting to the 1 1/8" (29mm) hole in the strain relief bracket.
3. Secure the neutral power lead to the center terminal and tighten the screw.
4. Secure the L1 and the L2 power leads to the terminals immediately to the left (L1) and right (L2) of the neutral terminal. Tighten the screws.
5. Secure the Ground lead to the green screw located to the right of the terminal block using the supplied cupped washer. The end of the grounding conductor must be retained by the cupped washer.
6. Check all connections are securely tightened.
7. Reinstall the Terminal Block cover.

3-Wire Connection (using supplied Ground lead) (fig. 3.3)

1. Loosen the L1, L2 and neutral screws.
2. Mount the conduit fitting to the 1 1/8" (29mm) hole in the strain relief bracket.
3. Secure the supplied Ground lead to the grounding screw to the right of the terminal block.
4. Secure the Neutral power lead together with the free end of the Ground lead to the center terminal. Tighten the screw.
5. Secure the L1 and the L2 power leads to the terminals immediately to the left (L1) and right (L2) of the neutral terminal. Tighten the screws.
6. Check all connections are securely tightened.
7. Reinstall the Terminal Block cover.

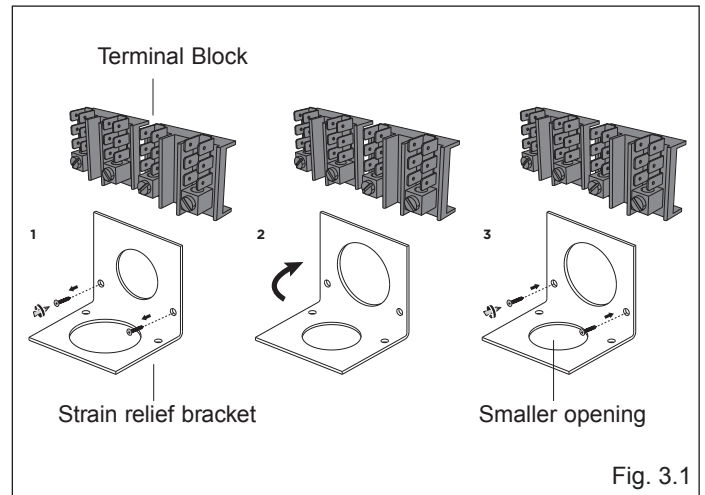


Fig. 3.1

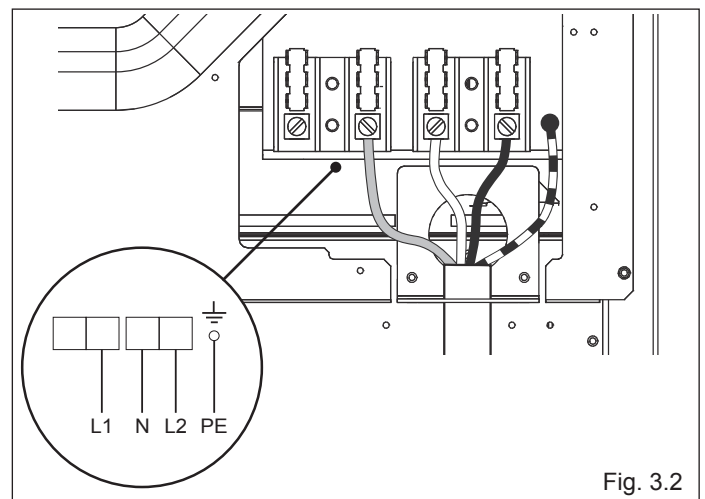


Fig. 3.2

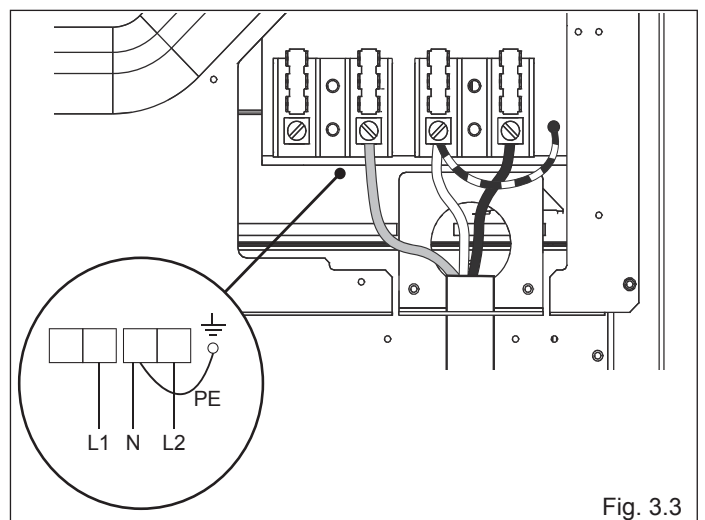
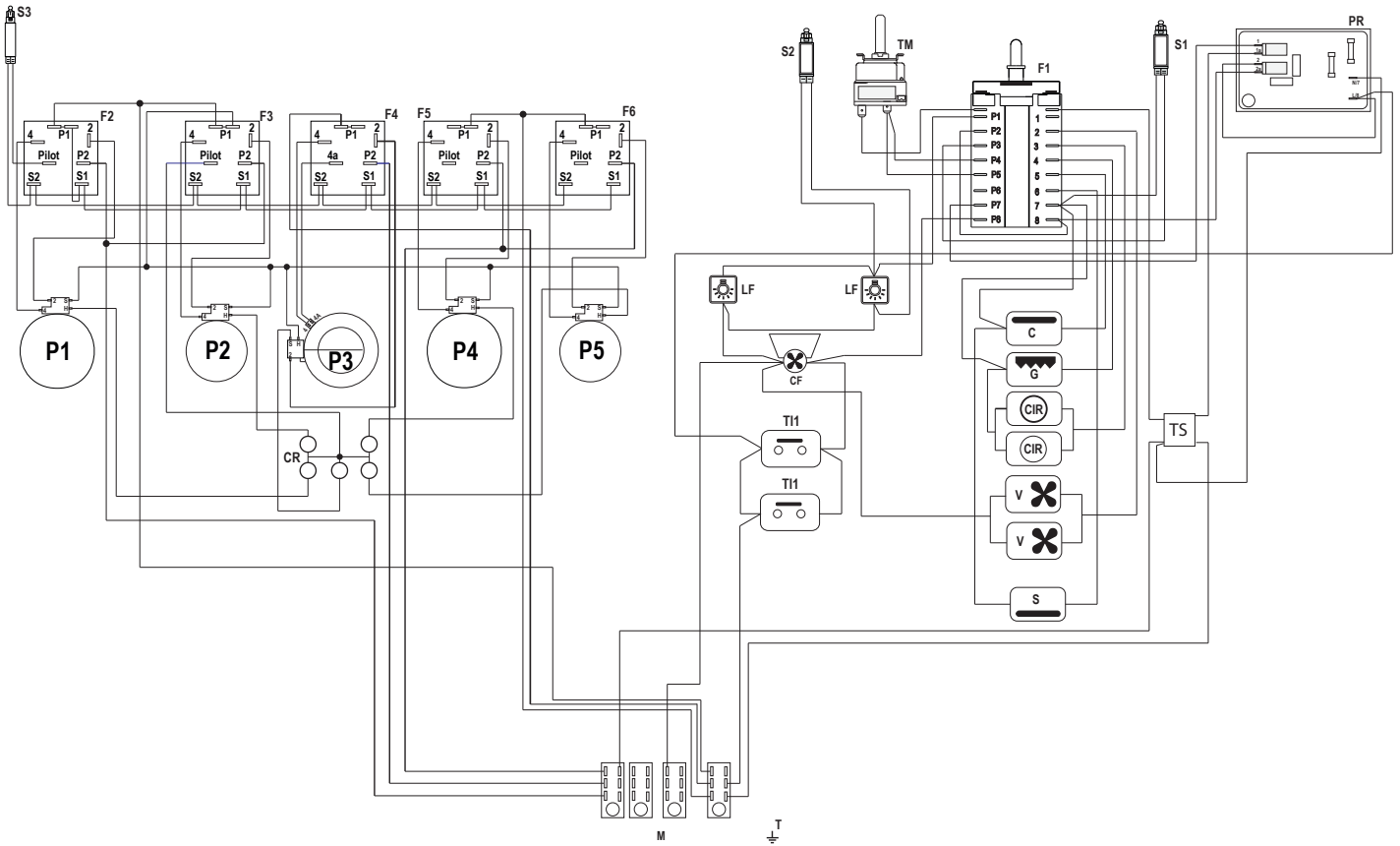


Fig. 3.3

WIRING DIAGRAM



ELECTRIC DIAGRAM KEY

TI1	Cooling fan Thermolimitator
CF	Cooling fan
TS	Security thermal overload
M	Terminal block
T	Hearth plant

OVEN

F1	Oven switch
TM	Oven thermostat
PR	Programmer
TL	Thermal overload
LF	Oven lamp
S1	Thermostat pilot lamp
C	Top element
G	Grill element
CIR	Circular element
S	Fan
V	Bottom element

VETROCERAMIC HOB

F2/3/5/6	Energy regulator switch
F4	Energy regulator switch (dual)
P1/2/4/5	Radiant element
P3	Radiant element (double)
CR	Residual heat lamps group
S3	Line pilot lamp

The manufacturer cannot be held responsible for possible inaccuracies due to printing or transcription errors in the present booklet.

The manufacturer reserves the right to make all modifications to its products deemed necessary for manufacture or commercial reasons at any moment and without prior notice, without jeopardising the essential functional and safety characteristics of the appliances.