

# VSL 400 SERIES (3, 4, 6, 12) RANGE HOOD LINERS

*For those who need ventilation performance and desire the commercial style baffle filters, our VSL 400 Series Liner will exceed your expectations.*

**VSL400 SERIES**

*Experience...*

## REMOTE CONTROL

- Easy to operate
- Optional automatic 5 minute shut off timer



## EASY CLEANING

- Dishwasher safe commercial stainless steel baffle filters
- Leading edge design is easy to clean. Eliminates grease traps
- No unsightly screws to clean around.

## QUIET OPERATION

- Rubber-mounted motor & large, squirrel-cage blowers reduce sound and vibration noise (390 CFM, 600 CFM, 1200 CFM models)
- 3-speed motor control reduces blower and air movement sound
- Large, stainless steel baffle filters reduce air movement sound

## ENDURING QUALITY

- Internal motor models deliver 390 CFM, 600 CFM or 1200 CFM (390 CFM is Code Compliant)
- Commercial grade stainless steel (#304 grade with #4 brush finish) and galvanized steel construction
- Oversized stainless steel baffle filters improve ventilation performance
- Two LED lights brighten cooking area; three on 448, 454, 460, & 472 models
- Performance tested by Energy Systems Laboratory at Texas A&M University

## DISTINCTIVE LOW PROFILE DESIGN

- Style complements ALL custom and manufactured wood hood designs
- Electronic touch controls with blue LED back lighting, with NEW REMOTE CONTROL
- Simplicity of design preferred by home owners and builders.

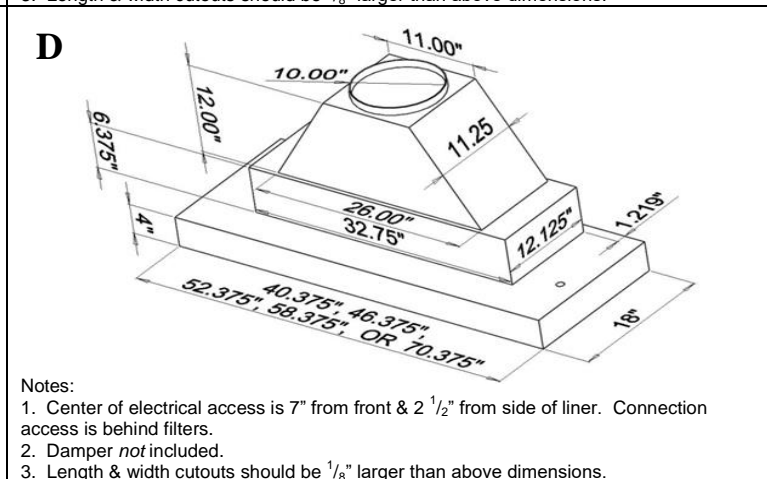
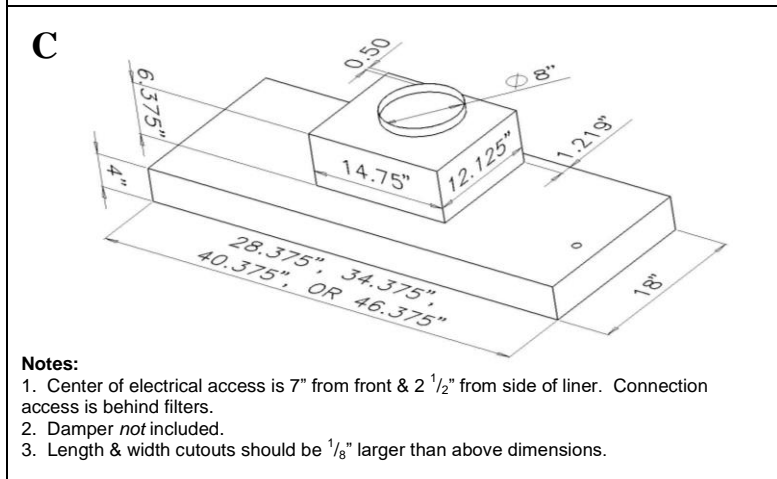
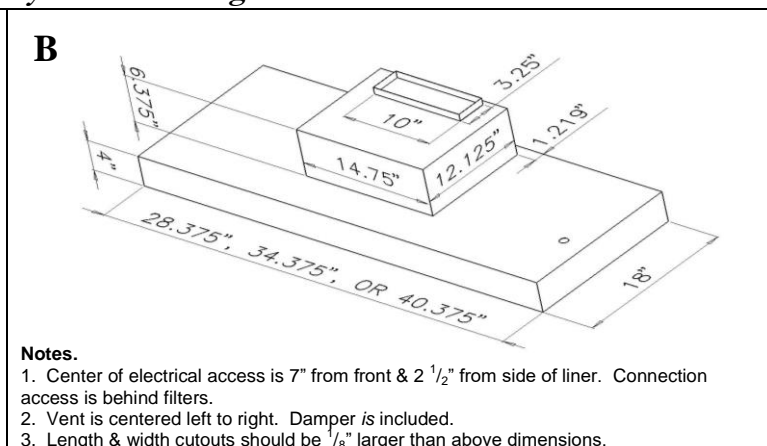
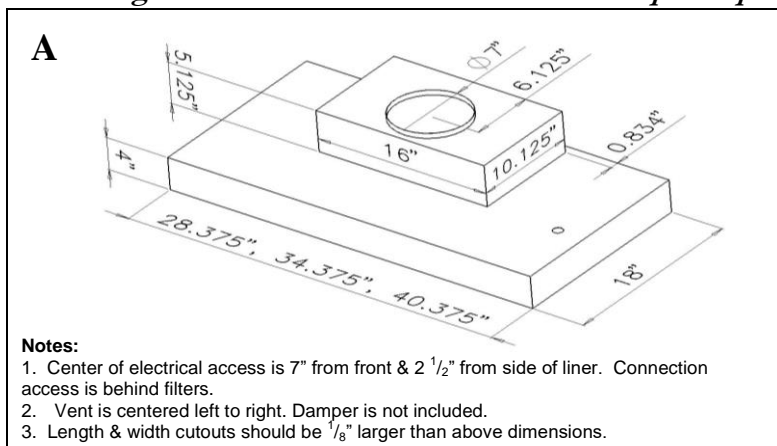
## EASY INSTALLATION

- Remote blower models pre-wired for use with most in-line or exterior blowers
- Installs easily in standard size or custom built wood range hoods
- Wiring diagram label for simple electrical connection

# VSL 400 SERIES (3, 4, 6, 12) RANGE HOOD LINERS

		Models Available (by Width)									
CFM		28 <sup>3</sup> / <sub>8</sub> "	34 <sup>3</sup> / <sub>8</sub> "	40 <sup>3</sup> / <sub>8</sub> "	46 <sup>3</sup> / <sub>8</sub> "	52 <sup>3</sup> / <sub>8</sub> "	58 <sup>3</sup> / <sub>8</sub> "	70 3/8"	Sones	Control	Blower
A	390	VSL4303RC	VSL4363RC	VSL4423RC	-	-	-	-	4	3-Speed	Internal Motor
B	390	VSL4304RC	VSL4364RC	VSL4424RC	-	-	-	-	7	3-Speed	Internal Motor
C	600	VSL4306RC	VSL4366RC	VSL4426RC	VSL4486RC	-	-	-	7.5	3-Speed	Internal Motor
D	1200	-	-	VSL44212RC	VSL44812RC	VSL45412RC	VSL46012RC	VSL47212RC	8.5	(2), 3-Speed	Two Internal Motors

**\*\* Drawings C and D are also available in 22" depth. Specify when ordering.**



Trade-Wind Manufacturing, LLC® has a policy of continuous improvements and reserves the right to modify (at any time without notice) any or all of its products, features, designs, components and specifications. For further information on installation and wiring, see the installation instructions included with the product or visit us on the web.

For more information please contact your dealer or your Trade-Wind® representative.



800 West Grant Street Phoenix, AZ 85007  
1-800-955-5737  
602-900-8500  
t-wusa.com



Revised 11/13/19

© Copyright 2019 Trade-Wind Manufacturing, LLC.

Proverbs 22:29