

Oberon®-S Single-Handle Faucet

FEATURES

- 0.5 gpm (1.9 lpm) commercial faucet
- Streamlined design with quality low-lead full-brass chrome polished body
- Single-lever handle with hot and cold color indicators
- Durable ceramic disc mixing cartridge
- Drain not included

COLORS/FINISHES

- #CP Polished Chrome

OPTIONAL ACCESSORIES

- THP3158#CP - 4" Cover Plate
- THP3159#CP - 8" Cover Plate
- THP5067#CP - Grid Drain

PRODUCT SPECIFICATION

The single-handle lavatory faucet shall have a maximum flow rate of 0.5 gpm (1.9 lpm). Product shall have lever handle. Product shall have a low-lead brass construction. Product shall have a ceramic disk mixing cartridge. Product shall be TOTO Model TL363SDA05R#CP.

CODES/STANDARDS

- Complies with federal and state low-lead legislation
- Meets or exceeds ASME A112.18.1/CSA B125.1, NSF 61-9, NSF 372
- Certifications: IAPMO(cUPC), California Energy Commission (CEC), State of Massachusetts and others
- Code Compliance: UPC, IPC, NSPC, NPC Canada, California Green Building Code, City of Los Angeles Water Efficiency Ordinance, City of New York and others
- ADA compliant
- Meets or exceeds California AB100 Law that requires lead content less than 1ppb per NSF/ANSI/CAN 61-2020

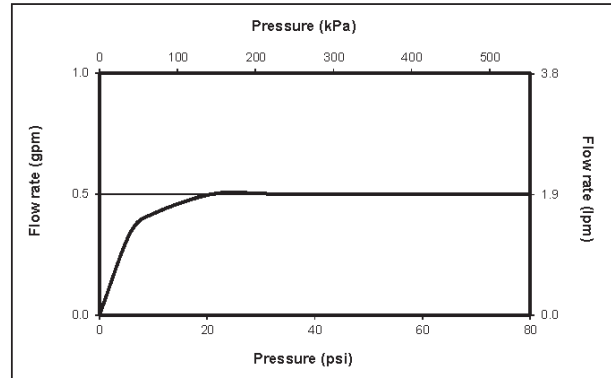


TL363SDA05R

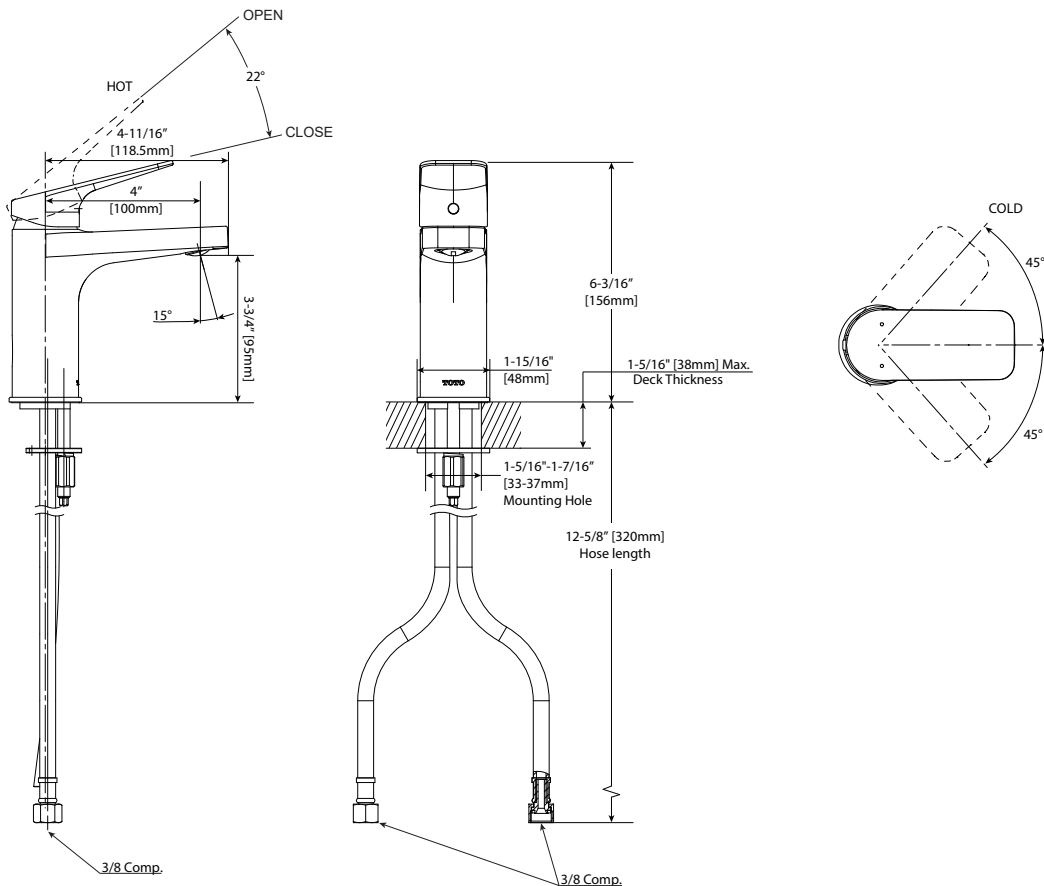
Oberon®-S Single-Handle Faucet

SPECIFICATIONS

Warranty	Lifetime Limited Warranty (Residential Use) One Year (Commercial Use)
Material	Brass (low-lead)
Maximum Flow Rate	0.5gpm (1.9lpm)
Shipping Dimensions	21" L x 10" W x 3-1/2" H
Shipping Weight	6.5 lbs



DIMENSIONS



TOTO®

These dimensions and specifications are subject to change without notice