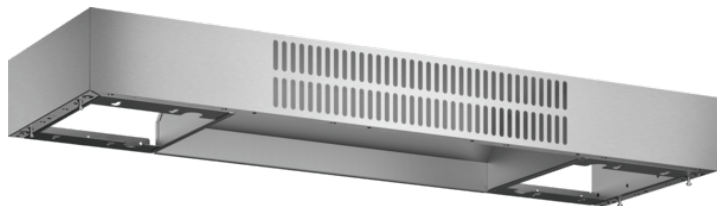


**Recirculation Kit for Low-Profile Wall Hoods**  
RECHMWB36



**Product Features**



Notes: Please refer to installation instructions. Installation instructions are available at [www.thermador.com](http://www.thermador.com). Specifications are correct at the time of printing. Thermador reserves the right to change product specifications and design at any time, without notice.

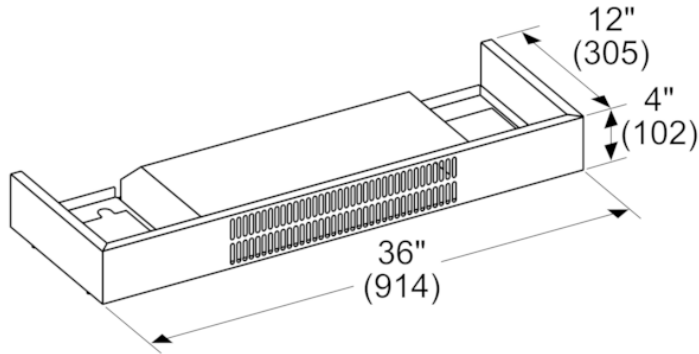
1 800 735 4328 | [WWW.THERMADOR.COM](http://WWW.THERMADOR.COM) | 1901 Main Street, Suite 600 Irvine, CA 92614

©2021 BSH HOME APPLIANCES CORPORATION, ALL RIGHTS RESERVED LITHO DATE: 01/2021

**Recirculation Kit for Low-Profile Wall Hoods**  
RECHMWB36



measurements in inches (mm)



**Product Features**

	Accessory
Brand	Thermador
SKU	RECHMWB36
Internal article number	00000000000718499
EAN code	825225955900
Product packaging dimensions (HxWxD) (in)	9" x 38 1/2" x 16 1/2"
	16
	18
Standard number of units per pallet	24
UPC code	825225955900
Product image	MCSA03292323_J5561_2645803_RECHMWB36_ST

**Technical Specification**

Notes: Please refer to installation instructions. Installation instructions are available at [www.thermador.com](http://www.thermador.com). Specifications are correct at the time of printing. Thermador reserves the right to change product specifications and design at any time, without notice.

1 800 735 4328 | [WWW.THERMADOR.COM](http://WWW.THERMADOR.COM) | 1901 Main Street, Suite 600 Irvine, CA 92614

©2021 BSH HOME APPLIANCES CORPORATION, ALL RIGHTS RESERVED LITHO DATE: 01/2021