

10-Inch Side/Rear Transition for Downdraft



Product Features

Performance

For use with remote or inline blower applications

Use with blowers, ducting, or elbows with 10 inch round duct connection

Can attach to downdraft housing or CVDUCT2 rectangular duct accessory

See installation guide for details

Design

Rectangular 1-7/8" x 19" transition to 10" round

Designed for use with UCVM30RS, UCVM36RS, UCVP36RS downdrafts

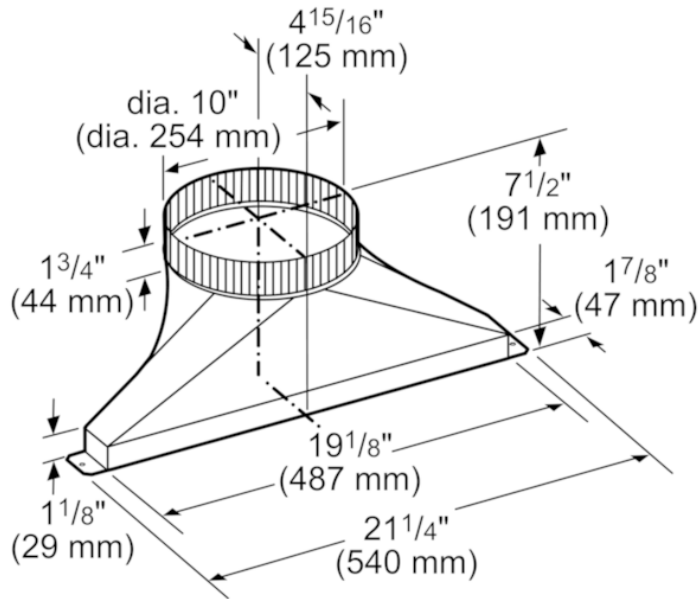


Notes: Please refer to installation instructions. Installation instructions are available at www.thermador.com. Specifications are correct at the time of printing. Thermador reserves the right to change product specifications and design at any time, without notice.

1 800 735 4328 | WWW.THERMADOR.COM | 1901 Main Street, Suite 600 Irvine, CA 92614

©2020 BSH HOME APPLIANCES CORPORATION, ALL RIGHTS RESERVED LITHO DATE: 05/2020

10-Inch Side/Rear Transition for Downdraft



measurements in inches (mm)

Product Features

Product group	Accessory
Brand	Thermador
SKU	CVTSIDE10
Internal article number	0000000000077719
EAN code	825225920748
Net weight (lbs)	4
Gross weight (lbs)	4
Standard number of units per pallet	20
UPC code	825225920748
Name of product image	MCSA02477503_i3926_1851198_CVTSIDE10_de

Technical Specification

Notes: Please refer to installation instructions. Installation instructions are available at www.thermador.com. Specifications are correct at the time of printing. Thermador reserves the right to change product specifications and design at any time, without notice.

1 800 735 4328 | WWW.THERMADOR.COM | 1901 Main Street, Suite 600 Irvine, CA 92614

©2020 BSH HOME APPLIANCES CORPORATION, ALL RIGHTS RESERVED LITHO DATE: 05/2020