



Location:



Tub Spout 060 Specification Submittal

Model Numbers

- 060 Tub Spout

Feature Highlights

- Open-flow non-diverter tub spout
- 5 1/4" length
- Metal construction
- Thread on installation

Finish Options

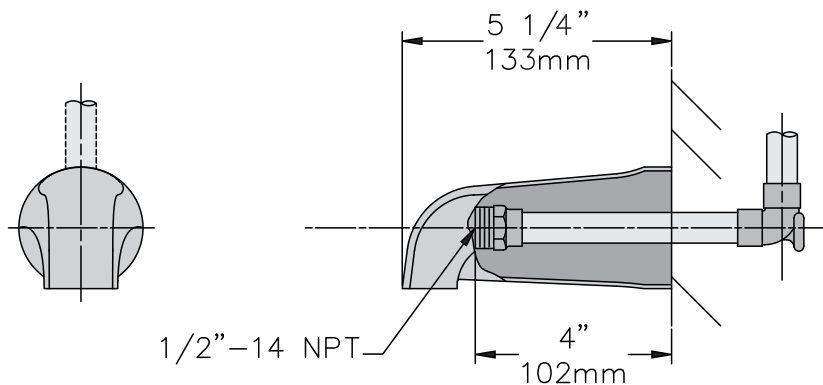
Append appropriate -suffix to model number.

- STN Satin nickel finish
- Polished chrome finish (standard)

Warranty

- Limited Lifetime - to the original end purchaser in residential / consumer installations.
- 5 years - for commercial installations

Dimensions *Tub Spout, 060*



Note: Dimensions subject to change without notice.

Symmons Industries, Inc. ■ 31 Brooks Drive ■ Braintree, MA 02184
Phone: (800) 796-6667 ■ Fax: (800) 961-9621
Website: www.symmons.com ■ Email: gethelp@symmons.com

©2012-2014 Symmons Industries, Inc. Printed in U.S.A. ■ 120914

