





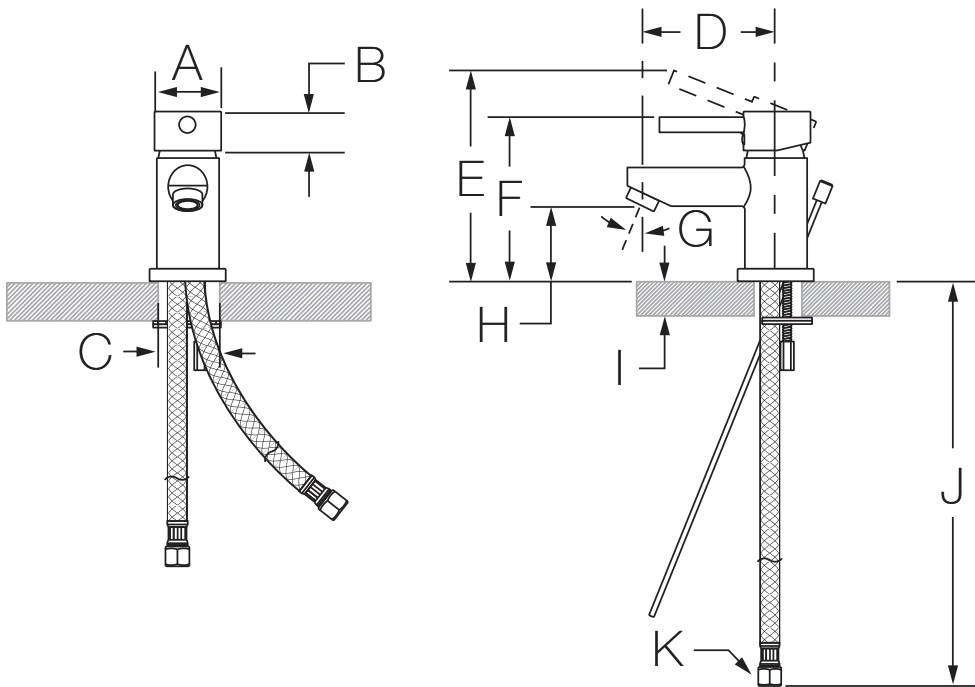
Location:



SLS-3522-1.5
Single Handle Lavatory Faucet
Specification Submittal

Model Numbers	Feature Highlights
<input type="checkbox"/> SLS-3522-1.5 <i>Single Handle Lavatory Faucet with lift rod and metal drain assembly</i>	<ul style="list-style-type: none"> • Single hole mount configuration • Quarter turn ceramic cartridge • 25 inch braided hose water supply connections • 5" height • Lift rod and metal drain assembly • Standard 1.5 gpm (5.7 L/min) flow rate • Faucet shall be metal construction, plated in standard polished chrome finish
Finish Options/Modifications	Compliance
<input type="checkbox"/> -1.0  <i>1.0 gpm (3.8 L/min) flow restrictor</i> <input type="checkbox"/> Delete Suffix 1.5 <i>2.2 gpm (8.3 L/min) flow restrictor</i> <input type="checkbox"/> -DP4 <i>4" deck plate</i> <input type="checkbox"/> -G <i>Grid drain</i> <input type="checkbox"/> -BBZ <i>Brushed Bronze finish</i> <input type="checkbox"/> -MB <i>Matte Black finish</i> <input type="checkbox"/> -STN <i>Satin Nickel finish</i>	<p>-ASME A112.18.1/CSA B125.1 -NSF/ANSI 61.9; NSF/ANSI 372 -WaterSense 1.5 gpm</p> <div style="display: flex; justify-content: flex-end; align-items: center;">   </div>
<p>Note: Append appropriate -suffix to model number.</p>	Warranty
<p>Limited Lifetime - to the original end purchaser in consumer/residential installations. 5 Years - for industrial/commercial installations. Refer to www.symmons.com/warranty for complete warranty information.</p>	

Dimensions



Measurements	
A	2", 51 mm
B	1-3/16", 30 mm
C	Hole Size Min. Ø 1-1/4", 32 mm Max. Ø 1-3/8", 35mm
D	4", 102 mm
E	6-1/2", 165 mm
F	5", 127 mm
G	26°
H	2-1/4", 57 mm
I	Deck Thickness Ref. Min. 7/8", 22 mm Max. 2", 51 mm
J	25", 635 mm
K	3/8" compression fitting

Note: Dimensions subject to change without notice.