

Location:



SYMMONS® Elm™

Shower System S-5501 Specification Submittal



Feature Highlights

- Symmons Shower System with lever handle
- Symmons Temptrol® pressure-balancing mixing valve with adjustable stop screw to limit handle turn
- Screwless escutcheon
- Secondary integral volume control handle
- Showerhead #552SH three mode, 4 inch diameter
- Showerhead arm and flange
- Standard flow rate is 2.5 gpm (9.5 L/min)
Optional lower flow rate restrictor available
- Polished chrome finish

Model Numbers

- S-5501
Shower System with Symmons Temptrol® mixing valve
p/n S-46-1-BODY
- S-5501-TRM
Trim only, mixing valve ordered separately
- S-46-1-BODY
Symmons Temptrol® mixing valve without trim
- S-46-1X-BODY
Symmons Temptrol® mixing valve without trim.
Valve includes integral service stops to allow water
shut-off for service

Finish Options / Modifications

Append appropriate -suffix to model number

- STN Satin Nickel
- SBZ Seasoned Bronze
- Polished Chrome (standard finish)




Standards / Certifications

ASME A112.18.1/CSA B125.1



Options / Modifications

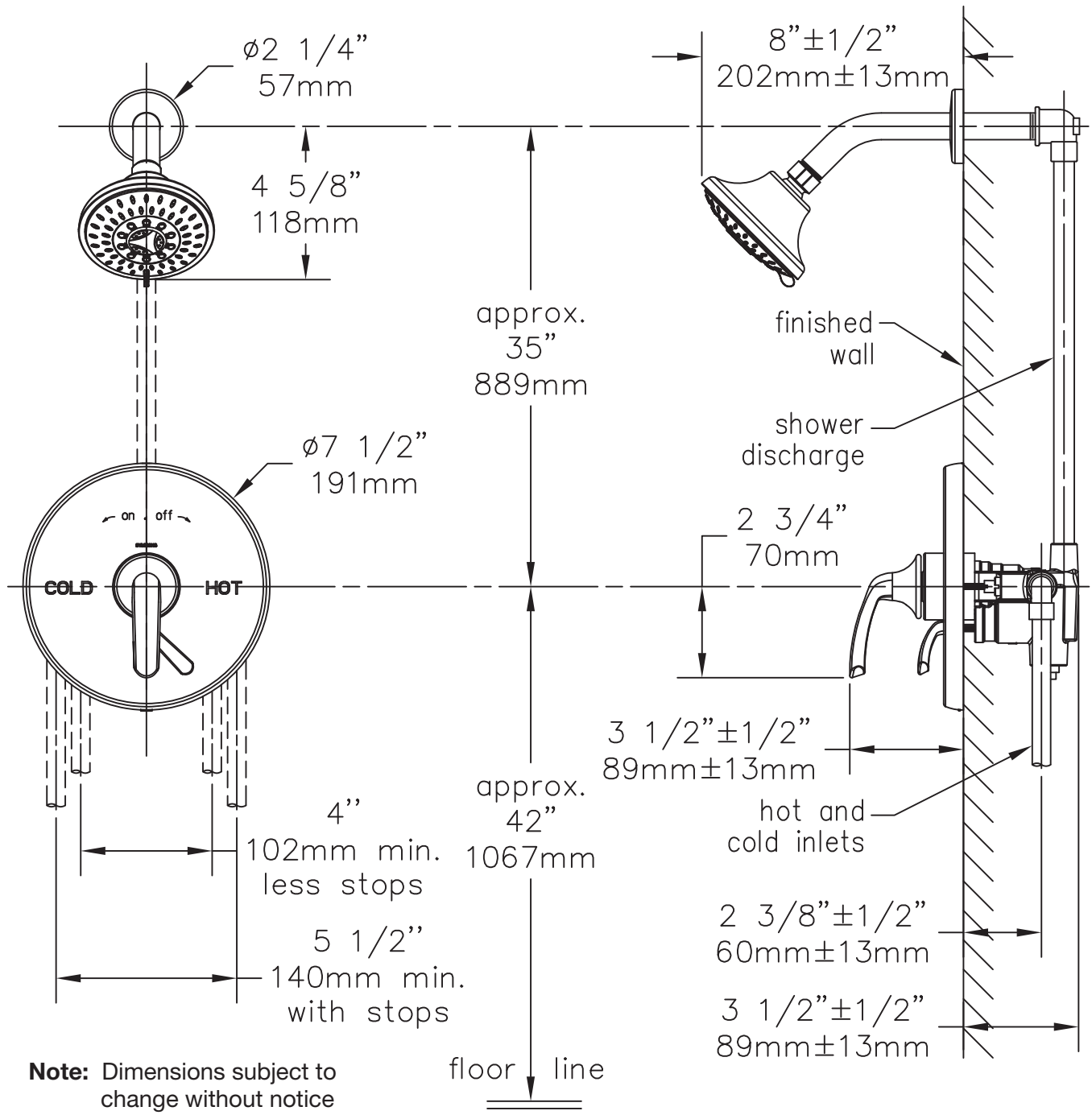
Append appropriate -suffix to model number

-  -1.5 1.5 gpm (5.7 L/min) flow restrictor
- 2.0 2.0 gpm (7.6 L/min) flow restrictor
- IPS 1/2" female IPS connections
-  -LP Loop handle
-  -LR Lever handle
- L/HD Less Showerhead
- REB Rebuild trim kit, includes TA-10 and TA-4
- REV Reverse coring, hot on right, cold on left, for
back to back installations
- VP Vandal resistant escutcheon screws in place of
standard screws
- X Integral service stops - allows water shutoff at
valve for service
- X-CHKS Integral check stops - for use in installations
where a positive shut-off device is used
downstream of mixing valve

Warranty

- Limited Lifetime - to the original end purchaser in
consumer installations
- 5 years - for commercial installations

Dimensions Elm Shower System, S-5501



Note: Dimensions subject to change without notice