


Location:



SYMMONS® Degas®

Tub & Shower System S-5402

Specification Submittal



Feature Highlights

- Symmons Tub and Shower System with lever handle
- Symmons Temptrol® pressure-balancing mixing valve with adjustable stop screw to limit handle turn
- Secondary integral diverter/volume control handle
- Showerhead #511SH, one mode, 8-1/2 inch diameter
- Showerhead arm and flange
- Standard flow rate is 2.5 gpm (9.5 L/min)
Optional lower flow rate restrictor available
- Tub spout, #542TS
- Polished chrome finish (standard)

Model Numbers

- S-5402
Tub-Shower System with Symmons Temptrol® mixing valve p/n S-46-2-BODY
- S-5402-TRM
Trim only, mixing valve ordered separately
- S-46-2-BODY
Symmons Temptrol® mixing valve without trim
- S-46-2X-BODY
Symmons Temptrol® mixing valve without trim.
Valve includes integral service stops to allow water shut-off for service



Finish Options / Modifications

Append appropriate -suffix to model number

- STN Satin Nickel
- ORB Oil Rubbed Bronze
- Polished Chrome (standard finish)

Options / Modifications

Append appropriate -suffix to model number

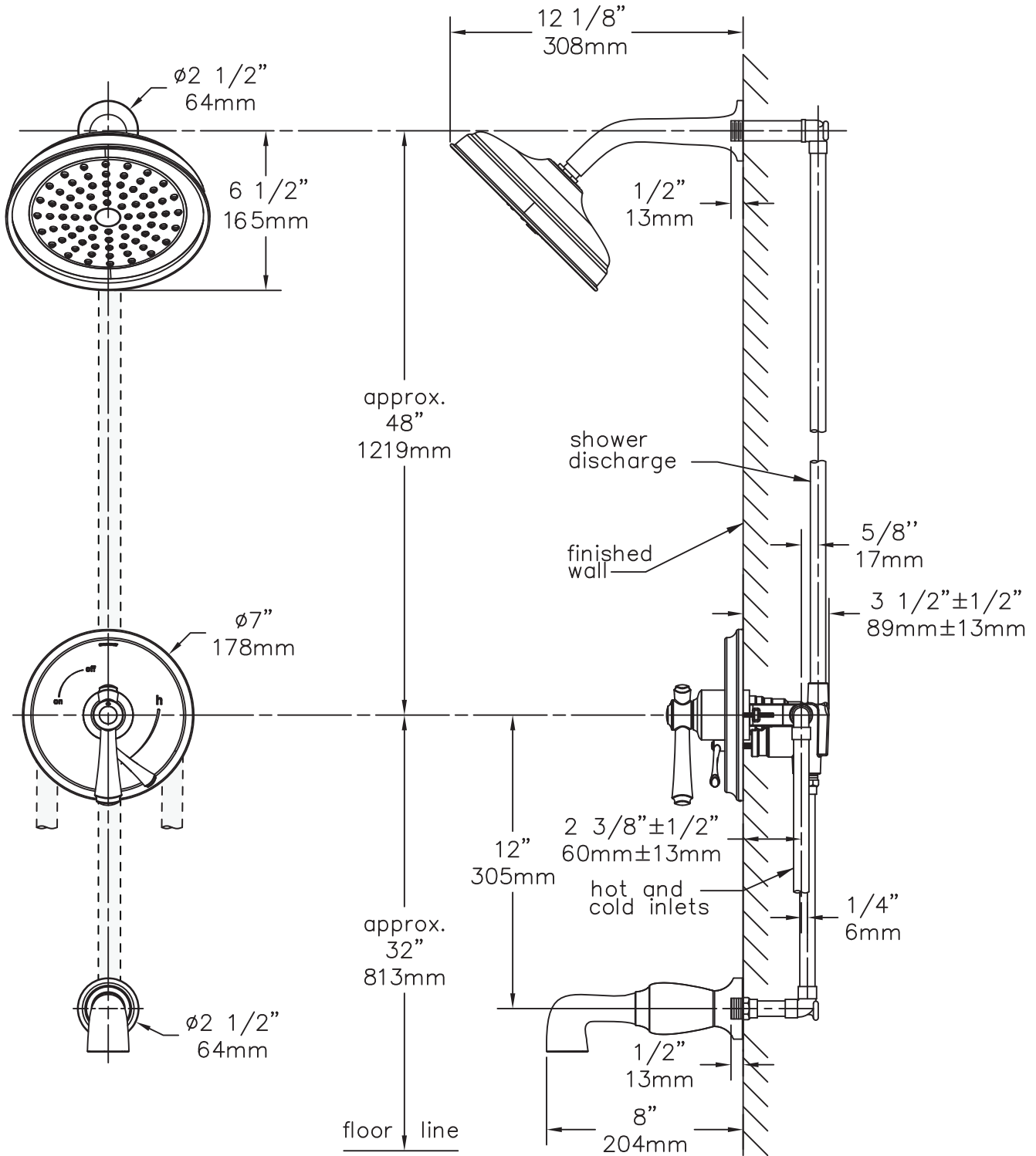
-  -1.5 1.5 gpm (5.7 L/min) flow restrictor
- 2.0 2.0 gpm (7.6 L/min) flow restrictor
- IPS 1/2" female IPS connections
-  -LP Loop handle
- L/HD Less showerhead
- REB Rebuild trim kit, includes TA-10 and TA-4
- REV Reverse coring, hot on right, cold on left, for back to back installations
- VP Vandal resistant escutcheon screws in place of standard screws
- X Integral service stops - allows water shutoff at valve for service
- X-CHKS Integral check stops - for use in installations where a positive shut-off device is used downstream of mixing valve

Standards / Certifications

ASME A112.18.1/CSA B125.1



Dimensions Degas Tub-Shower System, S-5402



Note: Dimensions subject to change without notice