

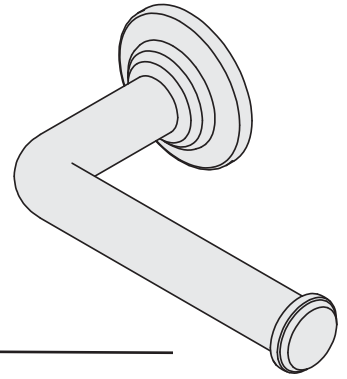
Location:



SYMMONS® Winslet™

Toilet paper holder 513TP

Specification Submittal



Model Numbers

- 513TP Toilet paper holder

Feature Highlights

- Metal construction
- Standard finish is polished chrome
- Mounting hardware included

Finish Options

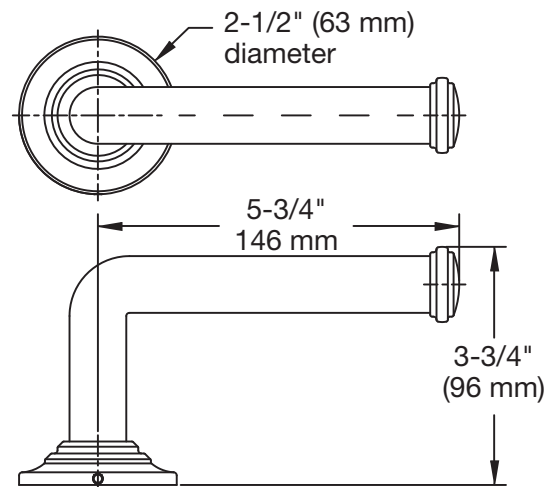
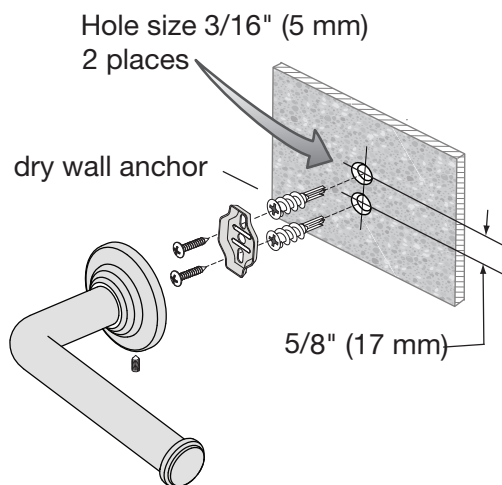
Append appropriate -suffix to model number.

- STN Satin nickel finish
- ORB Oil Rubbed Bronze finish
- Polished chrome finish (standard)

Warranty

- Limited Lifetime - to the original end purchaser in consumer installations.
- 5 years - for commercial installations

Dimensions Winslet Toilet Paper Holder, 513TP



Note: Dimensions subject to change without notice.