



353SR-5, 353SR-6
Curved Shower Rod

Operation & Maintenance Manual



Model Numbers	Specification
<input type="checkbox"/> 353SR-5 <i>5' Curved Shower Rod</i> <input type="checkbox"/> 353SR-6 <i>6' Curved Shower Rod</i>	<ul style="list-style-type: none"> • Curved shower rod • Metal construction
Finish Options	Warranty
<input type="checkbox"/> -STN <i>Satin Nickel finish</i>	<p>Limited Lifetime - to the original end purchaser in consumer/residential installations. 5 Years - for industrial/commercial installations. Refer to www.symmons.com/warranty for complete warranty information.</p>
Note: Append appropriate -suffix to model number.	

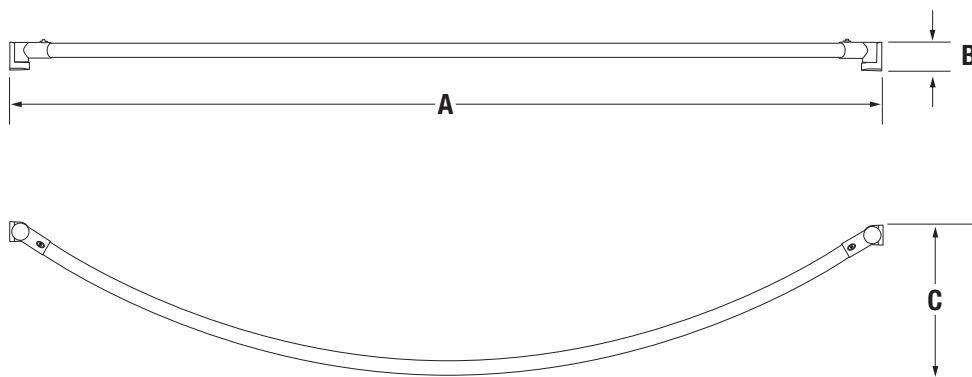
Dimensions & Tools Required


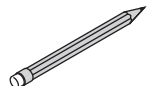
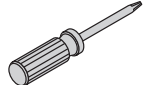


For 60" Standard Tub

Mount rod approximately 3" inside the point a straight rod is normally mounted. The midpoint of the rod should extend several inches past the outside rim of the tub.

For 60" Oval Tub

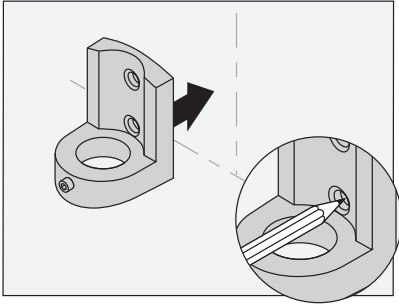
Depending upon tub model, mount rod between 6" and 8" from centerline of the tub. The middle portion of the rod should curve just outside the contour of the tub.



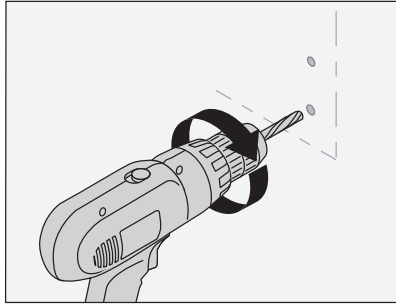
Measurements	
A	60", 1524 mm (353SR-5) 72", 1829 mm (353SR-6)
B	2-1/8", 54 mm
C	10-1/2", 267 mm
Tools Required	
Drill: 3/8 inch for studs 1/4 inch for drywall 5/16 inch for tile	
Pencil	
Phillips Head Screwdriver	
Safety Glasses	
Stud Finder	

Note: Dimensions subject to change without notice.

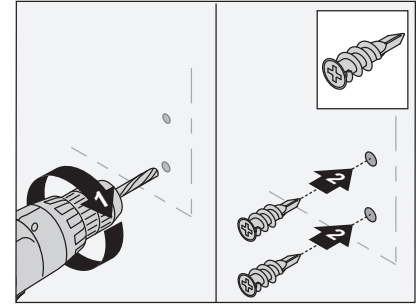
Installation



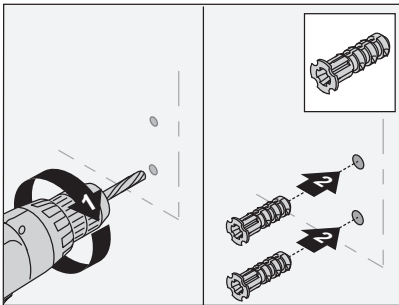
1) Position mounting brackets into desired location. Mark hole positions with pencil.



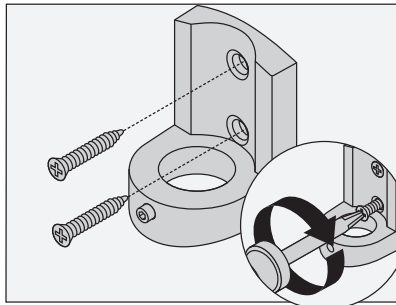
2a) **Stud Option:** Carefully drill 3/16" holes through wall and up to studs.



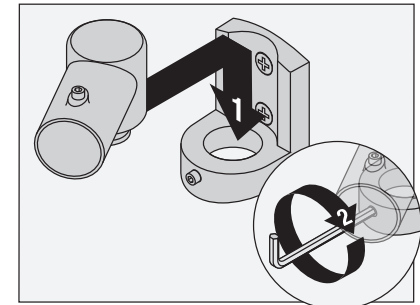
2b) **Dry Wall Option:** Carefully drill 1/4" holes into wall. Install drywall anchors into holes.



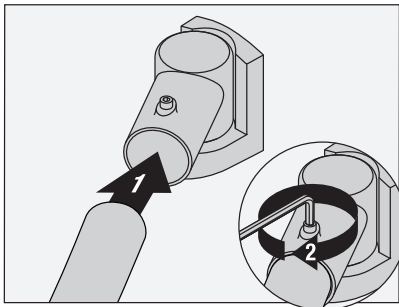
2c) **Tile Option:** Carefully drill 5/16" holes into tile. Install tile anchors into holes.



3) With mounting brackets in position, secure to wall using screws.



4) Insert rod brackets into mounting brackets and secure with Allen screws.



5) Insert shower rod into rod brackets and secure with Allen screws.

Troubleshooting

Problem	Cause	Solution
Finish is spotting.	Elements in water supply may cause water staining on finish.	Clean finished trim area with a soft cloth using mild soap and water or a non-abrasive cleaner and then quickly rinse with water.

For California Residents

WARNING: This product contains chemicals known to the State of California to cause cancer, birth defects, or other reproductive harm.