

Lura® Shower Arm and Flange

FEATURES:

- Arm measures 6" in length
- Brass construction
- 1/2" -14 NPTM connections
- Ceiling-mounted installation
- Coordinates with Lura Collection

STOCK FINISHES:



PC MB BBZ

SPECIALTY FINISHES:

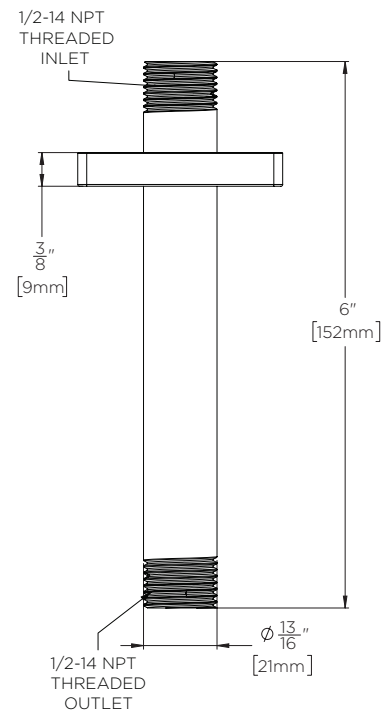
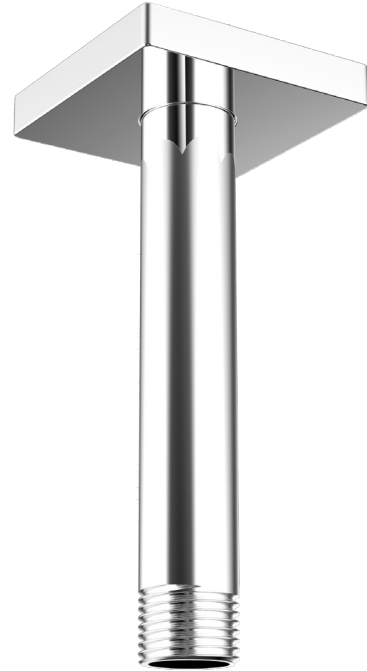


BN ORB PN

WARRANTY:

Visit www.speakman.com for full product warranty information

- 1 Year Limited Warranty (commercial)
- Limited Lifetime Warranty (residential)



All dimensions are in inches (millimeters) unless otherwise specified and are subject to change without notice.

Architect/Engineer Approval Space:

P: 800-537-2107
F: 800-977-2747
W: WWW.SPEAKMAN.COM
R: 03-DECEMBER 2019