

Safe-T-Zone Stainless Steel Combination Shower with Round Eye Wash System

MODELS:

- SE-626: Stainless steel combination shower and eye wash
- SE-626-SS: All stainless steel combination shower and eye wash

EYEWASH FEATURES:

- (2) aerated yellow plastic spray outlets with integral flow control and flip-top dust caps
- Round stainless steel bowl
- Stainless steel push handle activation
- 1/2" NPT female stainless steel valve
- 1/2" NPT female inlet
- Chrome plated brass in-line strainer
- 3.2 GPM (12.1 L/min) @ 30 PSI flow rate

SHOWER FEATURES:

- 8" stainless steel high performance emergency shower head with integral flow control and drain so water doesn't collect and freeze
- Stainless steel pull rod activator
- 1" NPT female stainless steel, full flow stay-open ball valve
- 1-1/4" NPT female top or side supply
- 1-1/4" NPT female waste
- Elevated drain to support easier testing and eliminate trip hazards
- 20 GPM (75.71 L/min) @ 30 PSI flow rate
- 1-1/4" IPS stainless steel piping stanchion
- Stainless steel finish provides corrosion resistance
- Universal emergency sign included

OPTIONS:

- HFO: Hand/foot operation
- SPV: Scald protection valve

ADD-ONS:

- STW-362: Thermostatic mixing valve (38.0 GPM @ 30 PSI)
- STW-350: Thermostatic mixing valve (62.5 GPM @ 30 PSI)

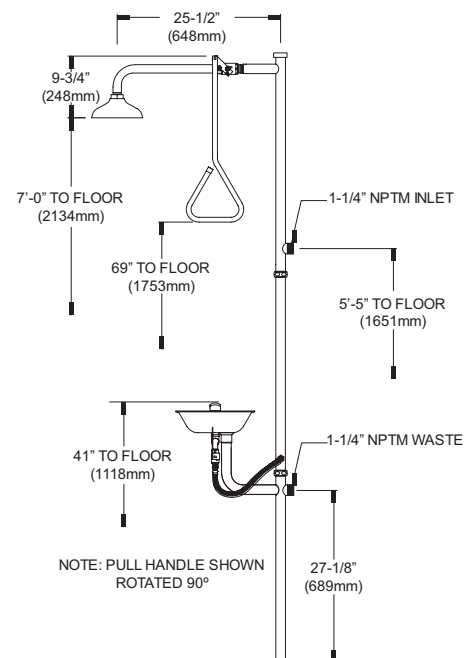
STANDARDS:

- ANSI/ISEA Z358.1 certified

WARRANTY:

Visit www.speakman.com for full product warranty information

- 3 Year Limited Warranty (commercial)



All dimensions are in inches (millimeters) unless otherwise specified and are subject to change without notice.

Architect/Engineer Approval Space:

P: 800-537-2107
 F: 800-977-2747
 W: WWW.SPEAKMAN.COM
 R: 02-MARCH 2022