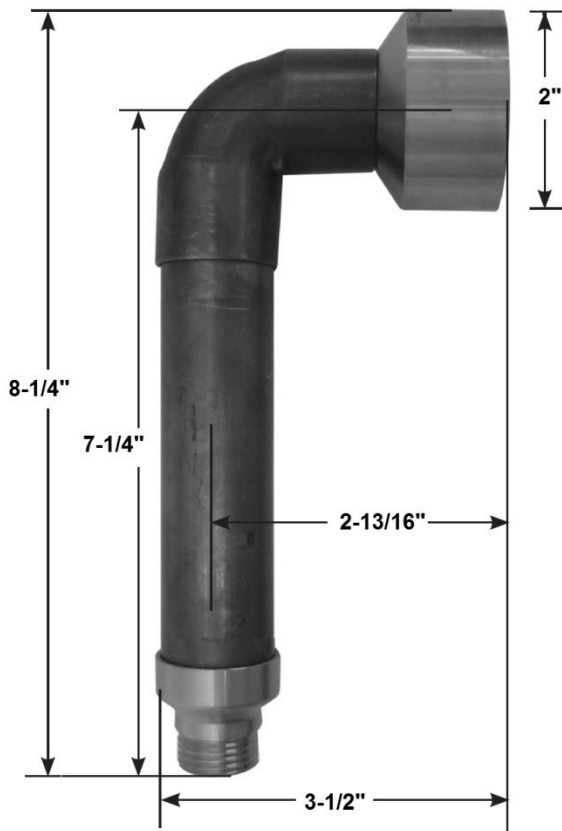




# PRODUCT SPECIFICATIONS

Feb 2014

Handshower Kit  
WB-10-276



DECK BRACKET



59" FLEXIBLE HOSE



SUPPLY HOSE



- ADA Compliant
- Custom finishes available

Connection	1/2" NPT
GPM	2.5