

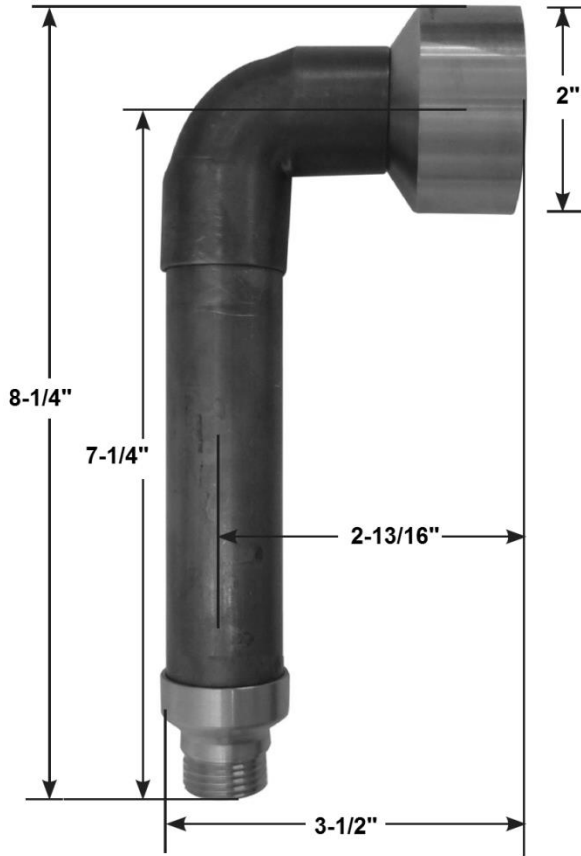


PRODUCT SPECIFICATIONS

Handshower Kit with Slidebar

WB-10-272

Jan 2014



24" SLIDEBAR



WATERWAY



59" HOSE

- ADA Compliant
- Custom finishes available

Connection	1/2" NPT
GPM	2.5