

CODE NUMBER

4024530

DESCRIPTION

Polished Chrome Finish, Act-O-Matic® Institutional Showerhead.

DETAILS

- Finish: Polished Chrome (CP)
- Flow Rate: 2.0 gpm (8 Lpm) (2.0GPM)
- Self-Cleaning: Yes

FEATURES

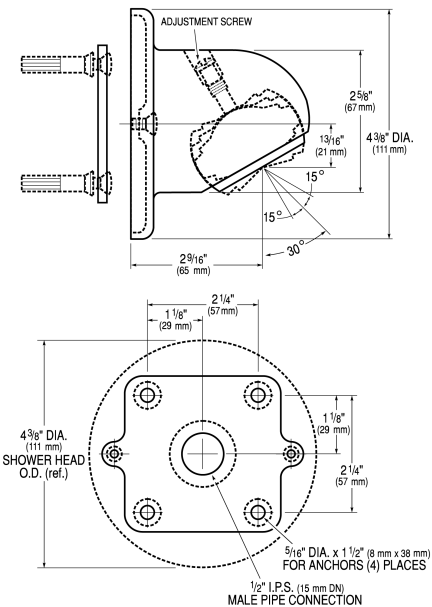
Act-O-Matic, Chrome Plated Shower Head with the following features:

- Spring loaded, self-cleaning spray disc to prevent particle clogging
- “Cone-within-a-cone” Spray Pattern for total body coverage
- Adjustable spray angle with pressure compensating 2.0 gpm (7.5 Lpm) flow control
- All Brass Construction
- Mounting Plate with Vandal Resistant Mounting Screws
- 1/2” IPS inlet

Shower Head shall be in conformance to all requirements of ANSI/ ASME Standard A112.18.1M, CSA B-125 and the United States Federal Energy Policy Act.

DOWNLOADS

- [AC 450/460 Installation Instructions](#)
- [AC-450 \(Spanish\) Installation Instructions](#)
- [Showerhead Parts and Accessories Repair and Maintenance Guide](#)
- [Additional Downloads](#)



COMPLIANCES & CERTIFICATIONS



(BAA Compliant, cUPC Certified, CEC Compliant, CalGreen Compliant, Satisfies LEED Credits, WaterSense Listed)

RECOMMENDED SPECIFICATION

Sloan Act-O-Matic Institutional Showerhead model no. AC-450 2.0 gpm. Vandal Resistant and Chrome Plated.

NOTES

All information contained within this document subject to change without notice.

Sloan 10500 Seymour Ave, Franklin Park, IL 60131

Phone: 800.982.5839 • Fax: 800.447.8329 • sloan.com