



SharkBite® Radiant PEX Pipe

DESCRIPTION

SharkBite® PEX Pipe is an electron beam cross-linked polyethylene pipe for use in residential or commercial applications.

Applications:

- Radiant Heating – Orange Oxygen Barrier PEX

FEATURES AND BENEFITS

Flexibility

- Reduces the number of fittings needed to complete jobs; saving on overall cost and reducing leak points

Freeze Resistance

- PEX pipe is freeze-resistant and can expand slightly if frozen; PEX will contract back to its original form when thawed. PEX is not freeze-proof, PEX should be insulated to prevent freezing

Insertion Depth Markings

- Pre-printed insertion depth markings for SharkBite Universal Push-to-Connect fittings

Made in the USA

- Manufactured and tested in the USA

Warranty

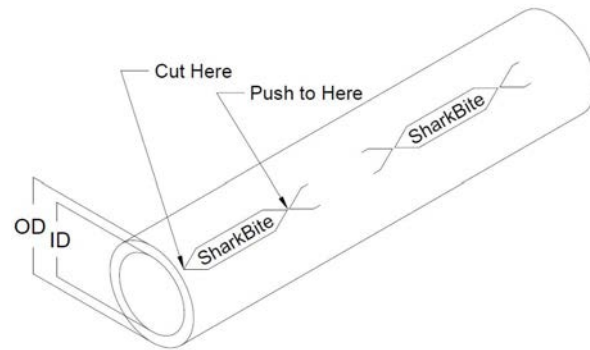
- 25-year warranty



DIMENSIONAL DATA

PEX Size (CTS)	OD (in)	Wall Thickness (in)	Median ID (in)	Weight Per Ft. (lb)	Volume per Ft. (gal)
3/8"	0.500 ± 0.003	0.070 + 0.010	0.35	0.044	0.018
1/2"	0.625 ± 0.004	0.070 + 0.010	0.475	0.054	0.025
5/8"	0.75 ± 0.004	0.083 + 0.010	0.574	0.076	0.030
3/4"	0.875 ± 0.004	0.097 + 0.010	0.671	0.103	0.035
1"	1.125 ± 0.005	0.125 + 0.013	0.862	0.17	0.045

Note: Dimensions are in English units. Tolerances referenced from ASTM F876.





SharkBite® Radiant PEX Pipe

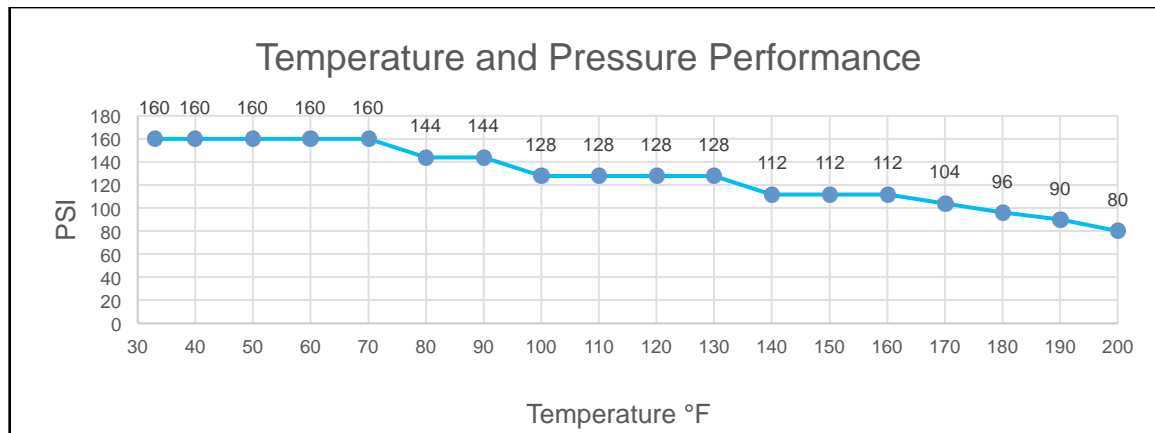
PERFORMANCE DATA

PEX Material Designation Code:

- 3006 PEX rating
 - (3) Chlorine Resistance - Rated to recirculate hot water at 50% at 140° F
50% at 73° F
 - (0) No UV Resistance
 - (06) Stress tested to 630 psi at 73° F

Temperature Performance:

- Minimum working temperature 33°F (0.5°C) at 160 psi
- Maximum working temperature 200°F (93.3°C) at 80 psi
- Maximum working pressure is 160 psi at 33° F (0.5°C) – 70° F (21.1°C)



Material:

- Oxygen barrier PEX is approved for non-potable radiant heating systems

Burial:

- PEX pipe is approved to be buried in concrete

Compatible fittings:

- PEX pipe approved for use with push-to-connect (ASSE 1061), plastic barb (ASTM F2159), and brass barb (ASTM F1807) fittings

CERTIFICATIONS

SharkBite PEX pipe is approved for use in all national and local codes in the US and Canada. Certified and listed to the following standards:

- **ANSI/NSF 61** – Drinking Water System Components - Health Effects
- **ANSI/NSF 14** – Plastics Piping System Components and Related Materials
- **ASTM F876** – Standard for Cross-linked Polyethylene (PEX) Tubing
 - **ASTM F2023** – Standard Test Method for Evaluating the Oxidative Resistance of Crosslinked Polyethylene (PEX) Pipe, Tubing and Systems to Hot Chlorinated Water
- **ASTM F877** – Standard for Cross-linked Polyethylene (PEX) Hot- and Cold-Water Distribution Systems
- **CSA B137.5** – Thermoplastic Pressure Piping Compendium



SPECIFICATION

- System shall be plumbed using SharkBite Pipe cross-linked polyethylene pipe and all joints shall be made using SharkBite push-to-connect fittings, brass SharkBite barb fittings or polymer SharkBite barb fittings used with copper crimp rings or stainless steel clamps. Pipe and fittings shall be installed as outlined in the SharkBite PEX installation manual

Job Name:	
Job Location:	
Engineer	
Contractor:	
Tag:	

