



Figure # 5024

Bronze Ball Valve

Product Features

- 600# WOG*
- Bronze Body
- Female Press End x FNPT
- Chrome Plated Ball
- PTFE Seats
- Blow-Out Proof Stem
- Adjustable Packing
- MSS-SP-110 Design

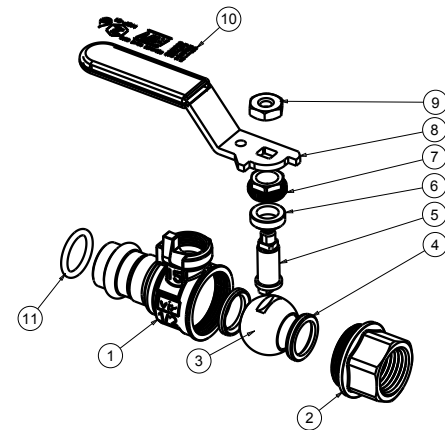


Technical Specifications

Size	1/2	3/4	1	1-1/4	1-1/2	2
Cv	15	30	60	110	130	360
Max temperature	266					
Max pressure @ 200°F	600					
*Max pressure @ connection	200					

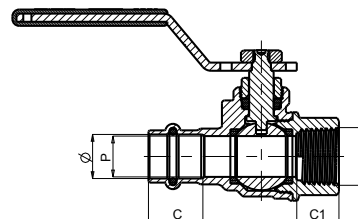
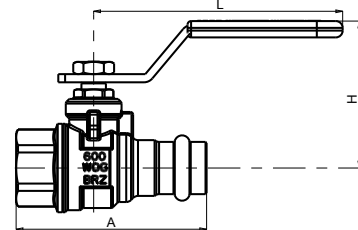
Materials & Specifications

Item	Description	Material	Specification
1	Body	Bronze	B62 C83600
2	Body cap	Bronze	B62 C83600
3	Ball	Brass	B124 C37700 Chrome plated
4	Seat	PTFE	
5	Stem	Brass	B124 C37700
6	Packing Ring	PTFE	
7	Packing Nut	Brass	B124 C37700
8	Handle	Steel	A36 Dacromet plated
9	Nut	Steel	A36 Zinc plated
10	O-ring	EPDM Perox	



Dimensions, Weights (inches-lbs.) & Valve Data

Size	1/2	3/4	1	1-1/4	1-1/2	2
Φ	0.63	0.88	1.14	1.39	1.64	2.14
A	2.76	3.33	3.80	4.29	5.02	5.89
C	0.79	0.91	0.95	1.22	1.42	1.73
C1	0.61	0.65	0.77	0.85	0.85	0.98
H	2.13	2.26	2.58	2.80	3.29	3.58
L	3.60	3.60	4.98	4.98	5.57	5.57
P	0.59	0.79	0.98	1.26	1.57	1.97
Wt	0.57	0.84	1.37	2.05	3.21	4.71



RED-WHITE VALVE CORP.

20600 Regency Lane, Lake Forest, CA 92630

TEL: 949.859.1010 • FAX: 949.859.7200 • www.redwhitevalvecorp.com

(160408)