

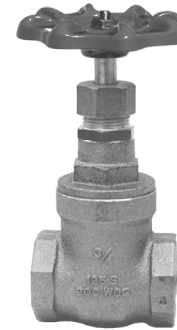


Figure # 280B

Bronze Threaded End Gate Valve

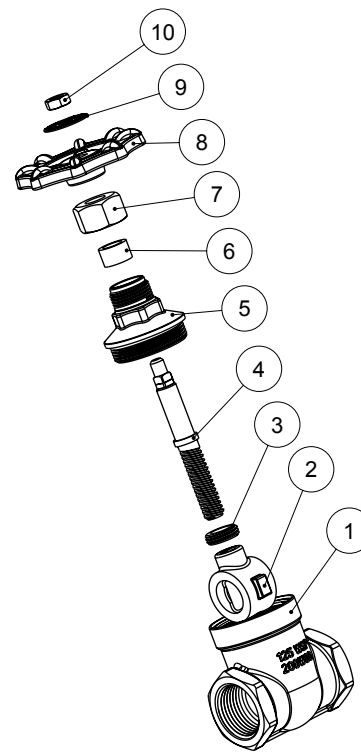
Product Features

- 125# WSP / 200# WOG
- Cast Bronze Body
- Solid Disc
- Threaded Ends
- Inserted Bonnet
- Non-Rising Stem
- MSS-SP-80
- DZR Trim



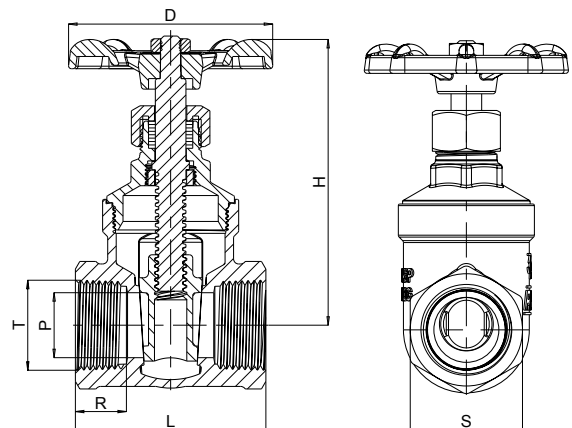
Materials & Specifications

Item	Description	Material	Specification
1	Body	Cast Bronze	C83600
2	Wedge	Cast Bronze	C83600
3	Ring	DZR Brass	C35330
4	Stem	DZR Brass	C35330
5	Bonnet	Cast Bronze	C83600
6	Packing Ring	Graphite	-
7	Packing Nut	Brass	C37700
8	Handwheel	Aluminum	A03840
9	Disk	Aluminum	B3105
10	Nut	Steel/Zn plated	A36



Dimensions, Weights (inches-lbs.) & Valve Data

Size	1/2	3/4	1	1-1/4	1-1/2	2
D	2.36	2.36	2.76	3.35	3.35	3.94
H	2.76	3.23	4.09	4.72	5.51	6.60
L	1.97	2.20	2.68	2.68	2.99	3.15
P	0.51	0.75	1.00	1.26	1.50	2.00
R	0.55	0.59	0.75	0.75	0.79	0.83
S	1.06	1.30	1.53	1.97	2.20	2.68
Wt	0.60	0.94	1.54	2.12	2.98	4.41



RED-WHITE VALVE CORP.

20600 Regency Lane, Lake Forest, CA 92630

TEL: 949.859.1010 • FAX: 949.859.7200 • www.redwhitevalvecorp.com

(151221)