



# Figure # 206F

Brass Threaded Gate Valve

### Product Features

- 125# WSP / 200# WOG
- Brass Body
- Screw in Bonnet
- Non-Rising Stem
- Solid Wedge Disc
- Threaded Ends

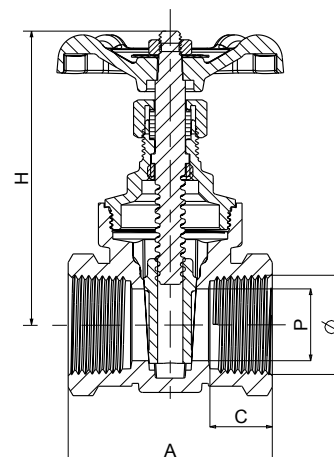
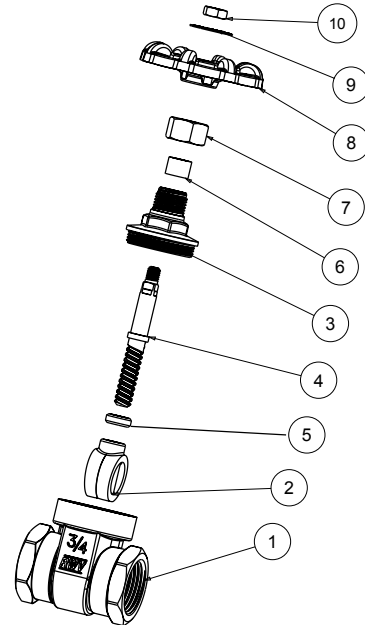
Pressure/Temperature Rating	
200 PSI from 32°F to 160°F	125 PSI max at 344°F

### Materials & Specifications

Item	Description	Material	Specification
1	Body	Brass	B283 C37700
2	Wedge	Brass	B283 C37700
3	Bonnet	Brass	B283 C37700
4	Stem	Brass	B124 C37700
5	Ring	Brass	B124 C37700
6	Packing ring	Graphite	WRAS approved
7	Packing nut	Brass	B124 C37700
8	Handwheel	Aluminum	B85
9	Disc	Aluminum	B85
10	Nut	Zinc Plated Steel	A36

### Dimensions, Weights (inches-lbs.) & Valve Data

Size	1/4	3/8	1/2	3/4	1	1-1/4	1-1/2	2	2-1/2	3	4
A	1.69	1.69	1.97	2.12	2.44	2.75	2.84	3.23	3.81	4.37	5.15
C	0.51	0.51	0.65	0.65	0.78	0.86	0.86	0.96	1.10	1.29	1.49
H	2.69	2.69	2.79	3.17	3.93	4.21	4.82	6.27	70.9	8.03	10.31
L	2.36	2.36	2.36	2.36	2.75	3.15	3.15	3.75	5.12	5.12	5.90
P	0.39	0.39	0.51	0.74	1	1.25	1.50	2.00	2.36	2.79	3.81
Cv	2.8	5.7	10.8	23	42	72	120	210	309	413	725
Wt	0.47	0.43	0.49	0.78	1.13	1.82	2.38	3.97	5.78	8.88	15.25



**RED-WHITE VALVE CORP.**

20600 Regency Lane, Lake Forest, CA 92630

TEL: 949.859.1010 • FAX: 949.859.7200 • www.redwhitevalvecorp.com

(150626)