

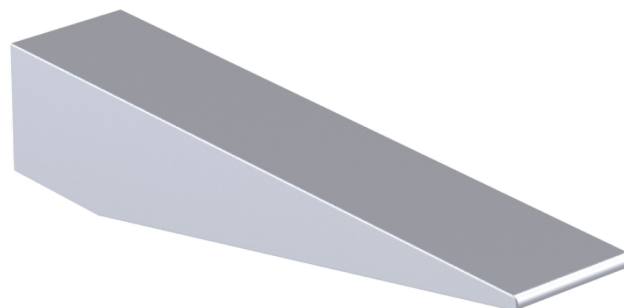
23RSQSCACM Specifications



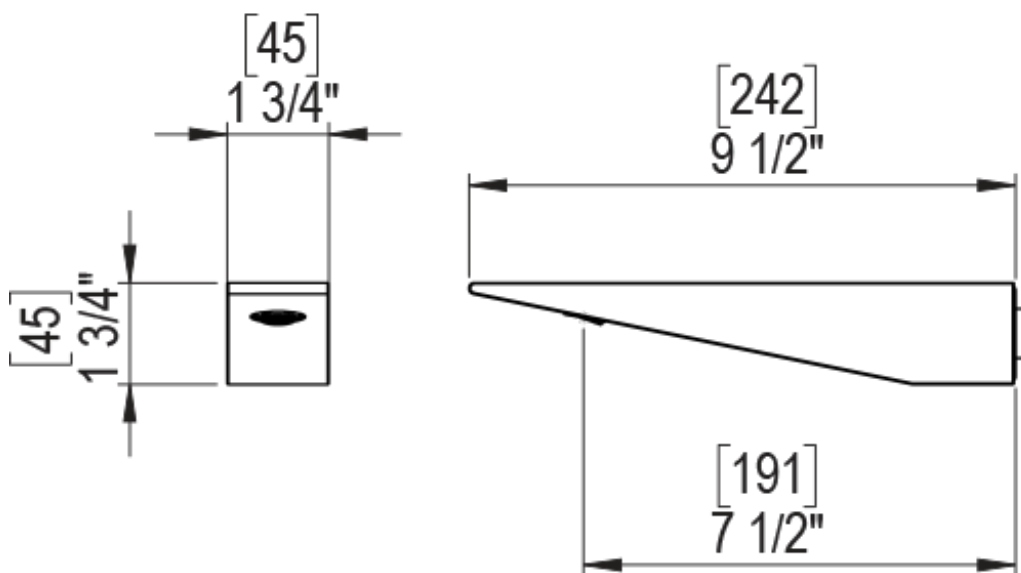


ADJUSTABLE SLIDE BAR WITH HAND HELD SHOWER ASSEMBLY



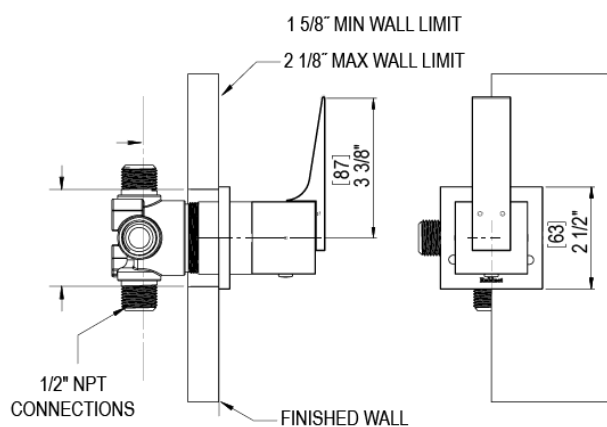


WALL MOUNT TUB SPOUT



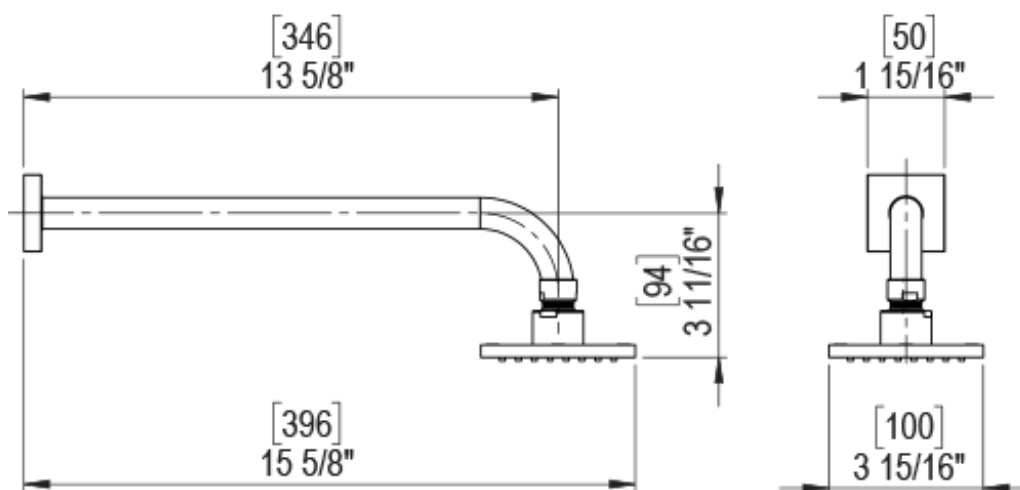


THREE WAY DIVERTER WITH SHUT-OFFS IN BETWEEN FUNCTIONS



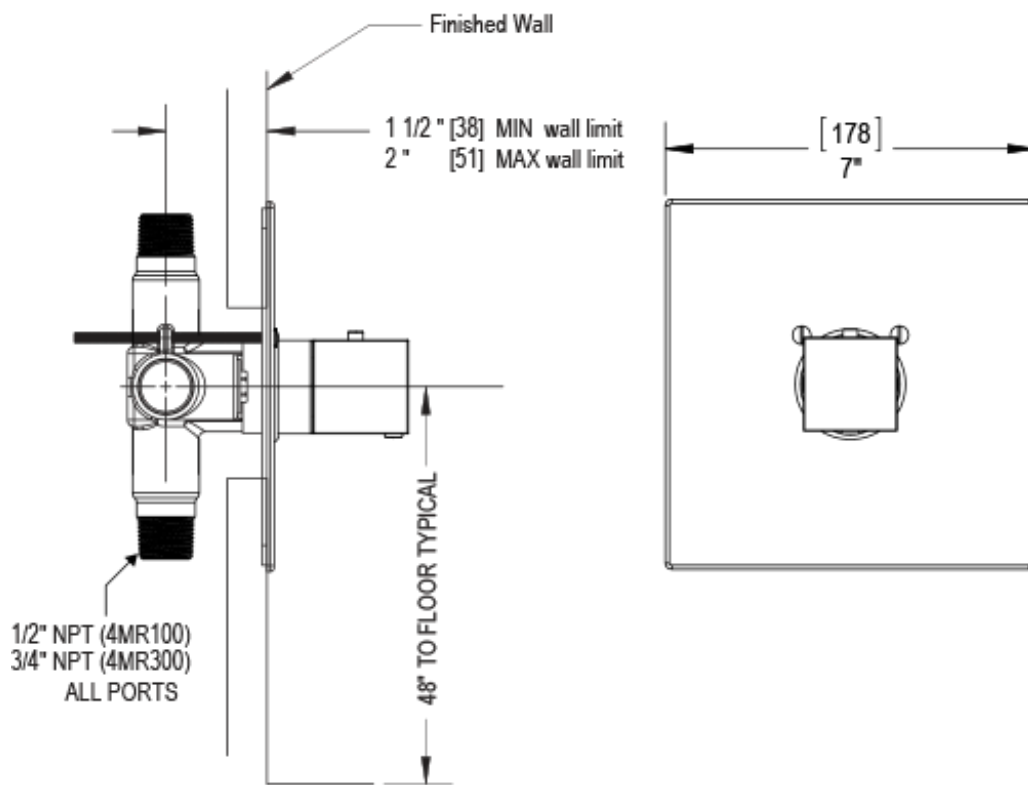


4" SHOWER HEAD WITH WALL MOUNT 16" SHOWER ARM & FLANGE





TEMPERATURE CONTROL VALVE WITH STOPS





INTEGRAL SUPPLY WITH 1/2" NPT X 1/2" NPSM X 3" NIPPLE

