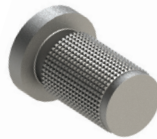


ASSEMBLY INSTRUCTION**4E/4KHOL or R**

VOLUME CONTROL VALVE



4KHOL (1/2" valve)
4EHOL (3/4" valve)



4KHOR (1/2" valve)
4EHOR (3/4" valve)

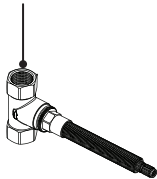
REMOVAL OF FIXTURE:

Always turn the water supply off before removing the existing fixture or disassembling a valve. Open all handles to relieve water pressure and to ensure that the water has been successfully turned off.

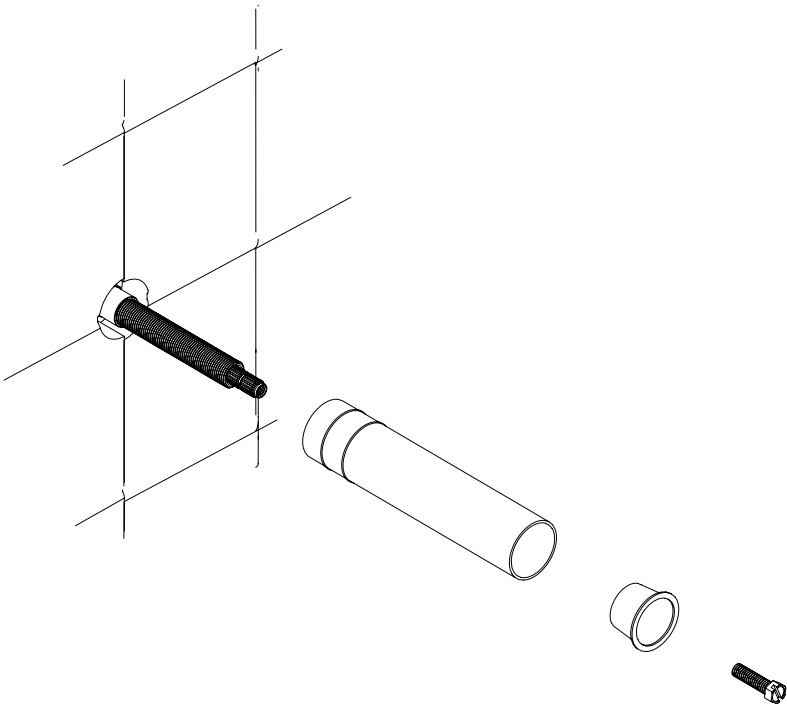
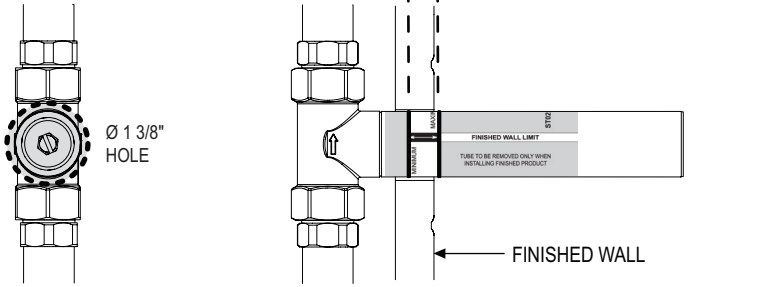
CARE OF FIXTURE:

The use of warm water and a soft cloth is all that is required to clean Rubinet products. The patina of our living finishes (Oil Rubbed Bronze & Tuscan Brass) will change as a result of normal use. Applying Mineral Oil on occasion will create a softer look, subtle color changes and character.

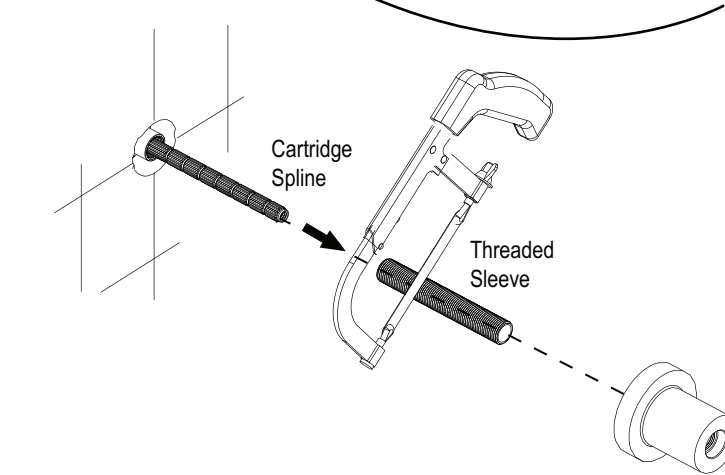
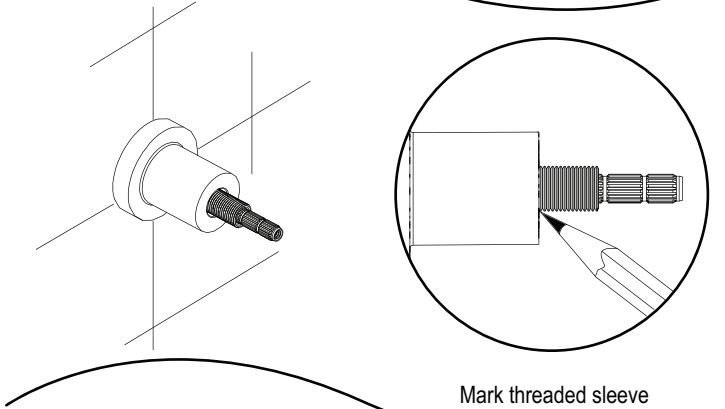
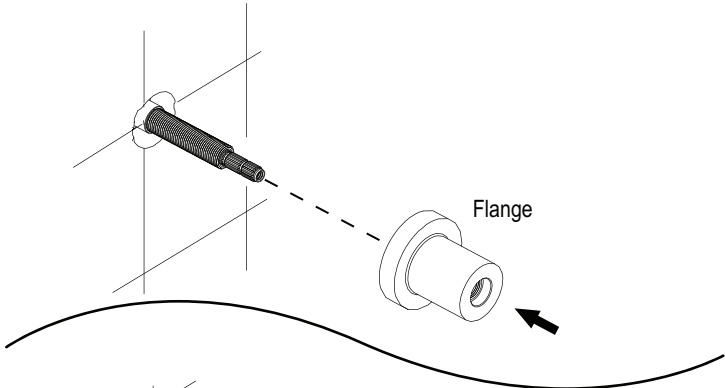
4ER000 (3 / 4 ")
4KR000 (1 / 2 ")
Rough-In Valve



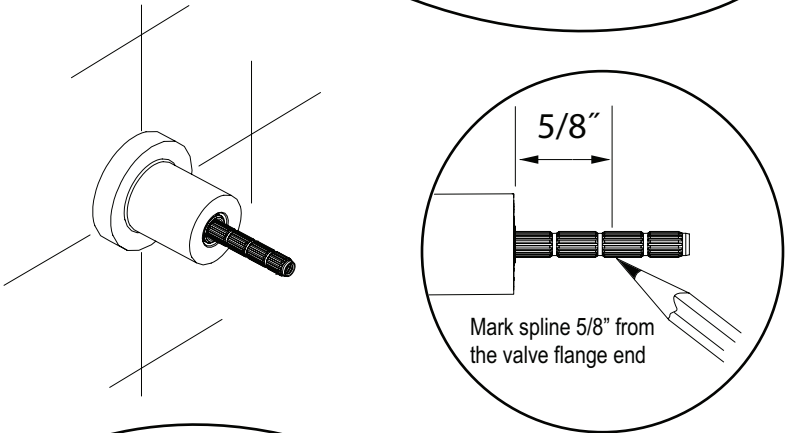
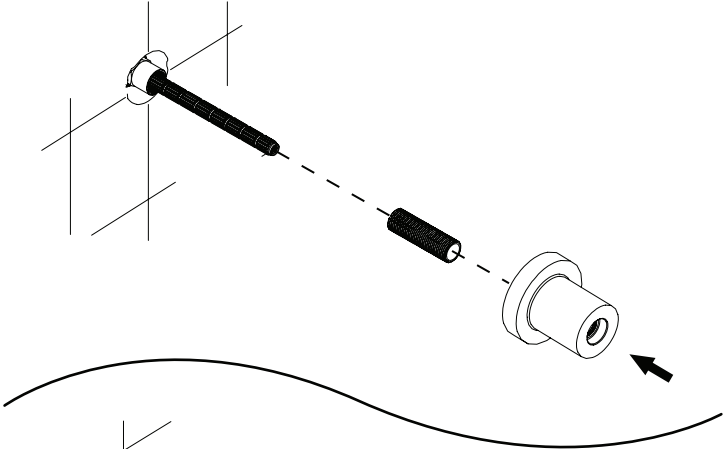
1



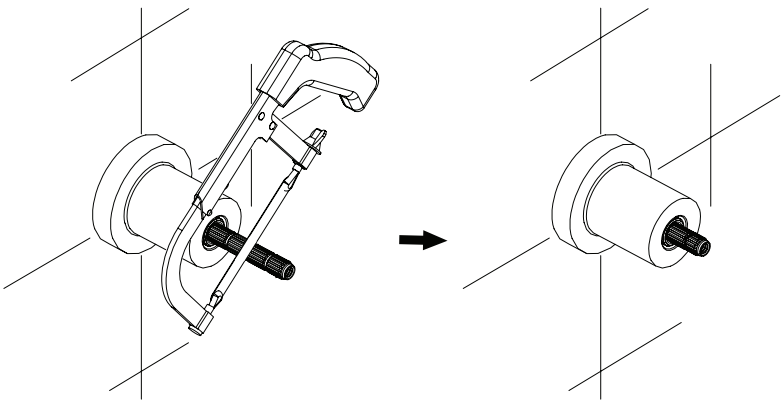
2



3

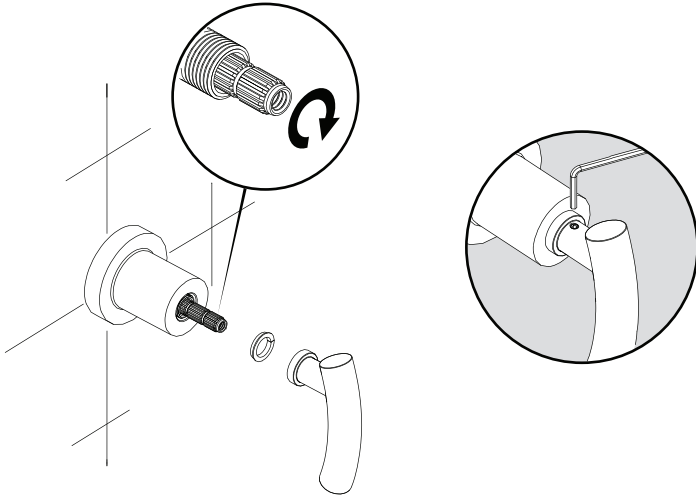


Cut spline where marked

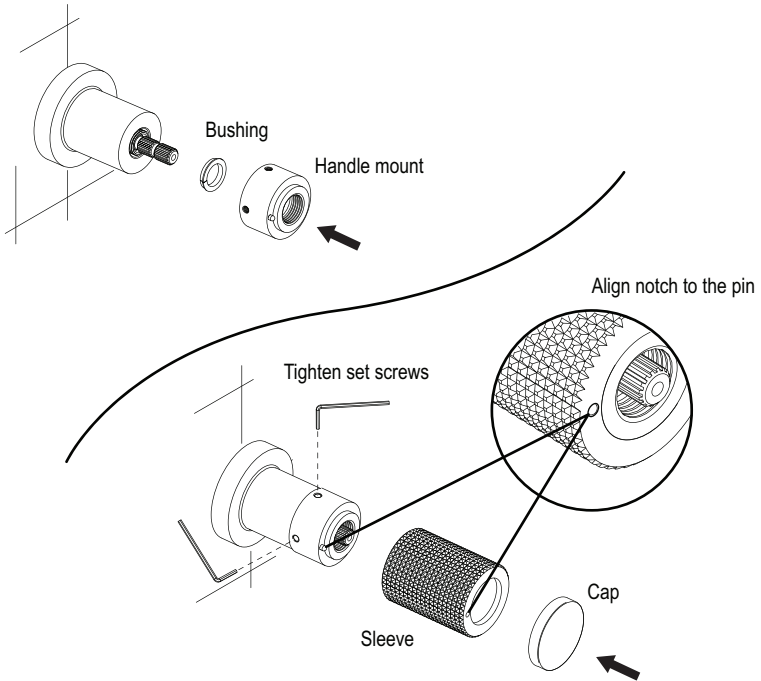


4

Turn cartridge spline into OFF position
before installing handles

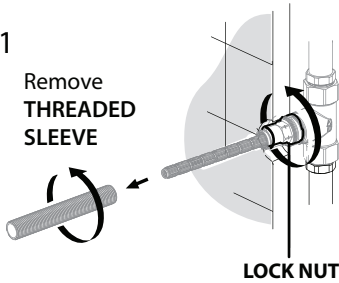


***Round Handle Installation**



HANDLE ALIGNMENT (4E/4K)

1

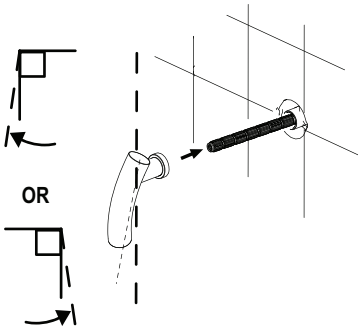


Remove
**THREADED
SLEEVE**



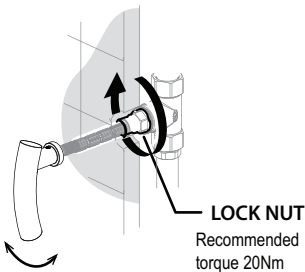
Loosen the Lock Nut using
*** 17mm Deep Socket. 1/2" Drive**

2



Replace handle one tooth off
from the OFF position as shown
(try both direction as needed)

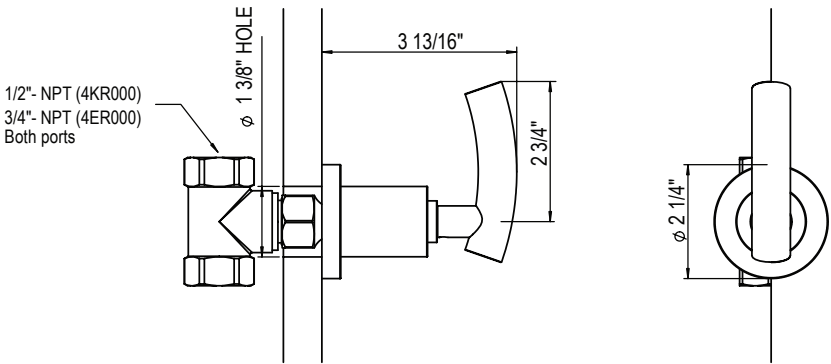
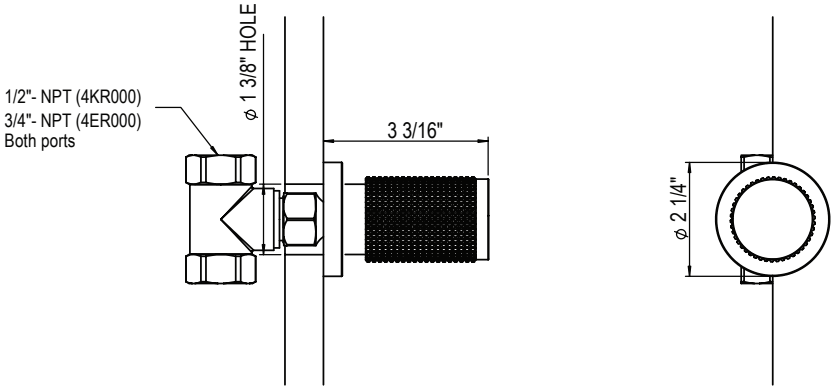
3



Turn the handle towards the desired ON
alignment. Then tighten the lock nut to
secure. This adjustment should not be
more than 25°.

FEATURES:

- Brass construction with choice of 21 finishes
- Lever or Round handle
- Quarter turn, ceramic disc cartridge
- 2.5 gpm @ 60 psi



CONTACT US:

If you need assistance with installation, replacement parts or have any questions regarding your Rubinet product, please call a Customer Service representative at: 905-851-6781 toll free 1-800-461-5901 or visit www.rubinet.com