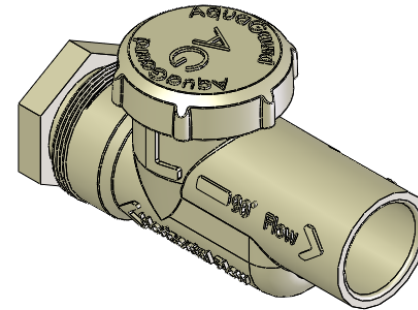
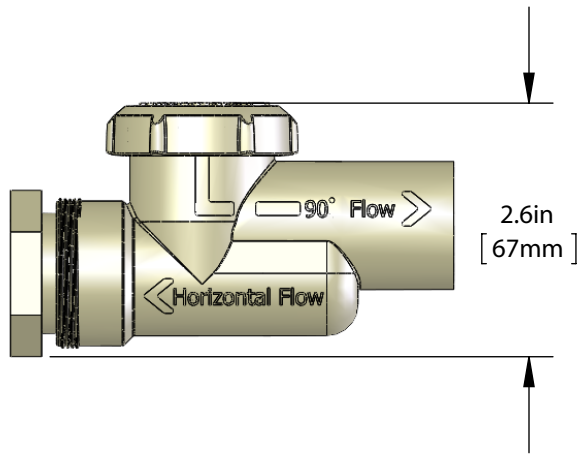
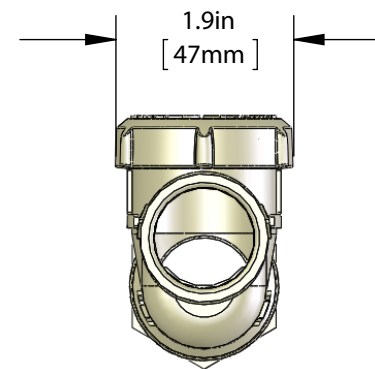
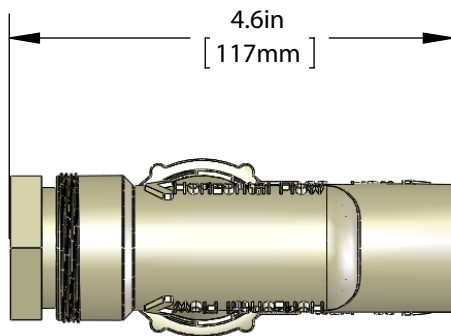


C



C

B



B

ENGINEERING	NAME	DATE
DRAWN BY ENG.	JK	7/29/09
CHECKED BY ENG.	DS	7/29/09
ENG APPR.	CC	7/29/09
MFG APPR.	CC	7/29/09



2601 Spenwick Drive,
Houston, TX 77055
800-231-3345

A

UNLESS OTHERWISE SPECIFIED:	PROPRIETARY AND CONFIDENTIAL
DIMENSIONS ARE IN INCHES TOLERANCES: FRACTIONAL ±.032 ANGULAR: MACH ±.5° BEND ±2° TWO PLACE DECIMAL ±.010 THREE PLACE DECIMAL ±.005	THE INFORMATION CONTAINED IN THIS DRAWING IS THE SOLE PROPERTY OF RECTORSEAL. ANY REPRODUCTION IN PART OR AS A WHOLE WITHOUT THE WRITTEN PERMISSION OF RECTORSEAL IS PROHIBITED.
INTERPRET GEOMETRIC TOLERANCING PER: ANSI Y14.5, 1994	

TITLE:		
AG-2510 SPECIFICAION SHEET		
SIZE A	SCALE: 1:2	SHEET 1 OF 1

NOTES :
CAN BE INSTALLED VERTICALLY OR HORIZONTALLY.
INSULATED IN-LINE MAINTAINCE AND CLEAN OUT.