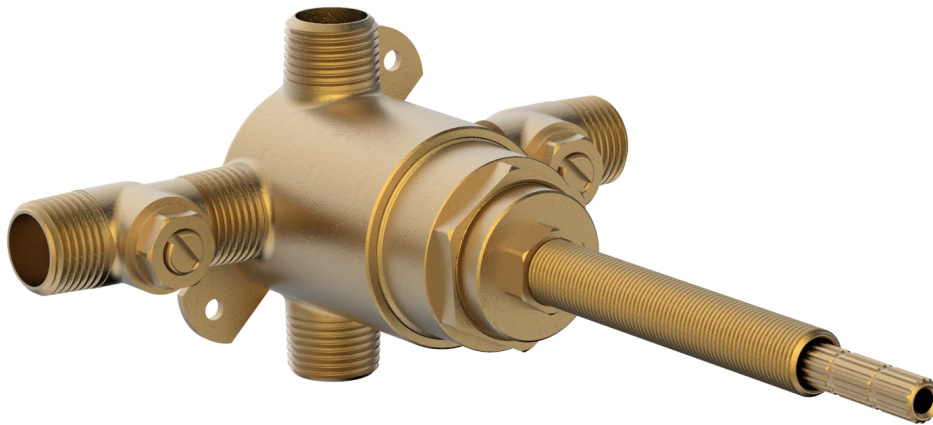


1-031



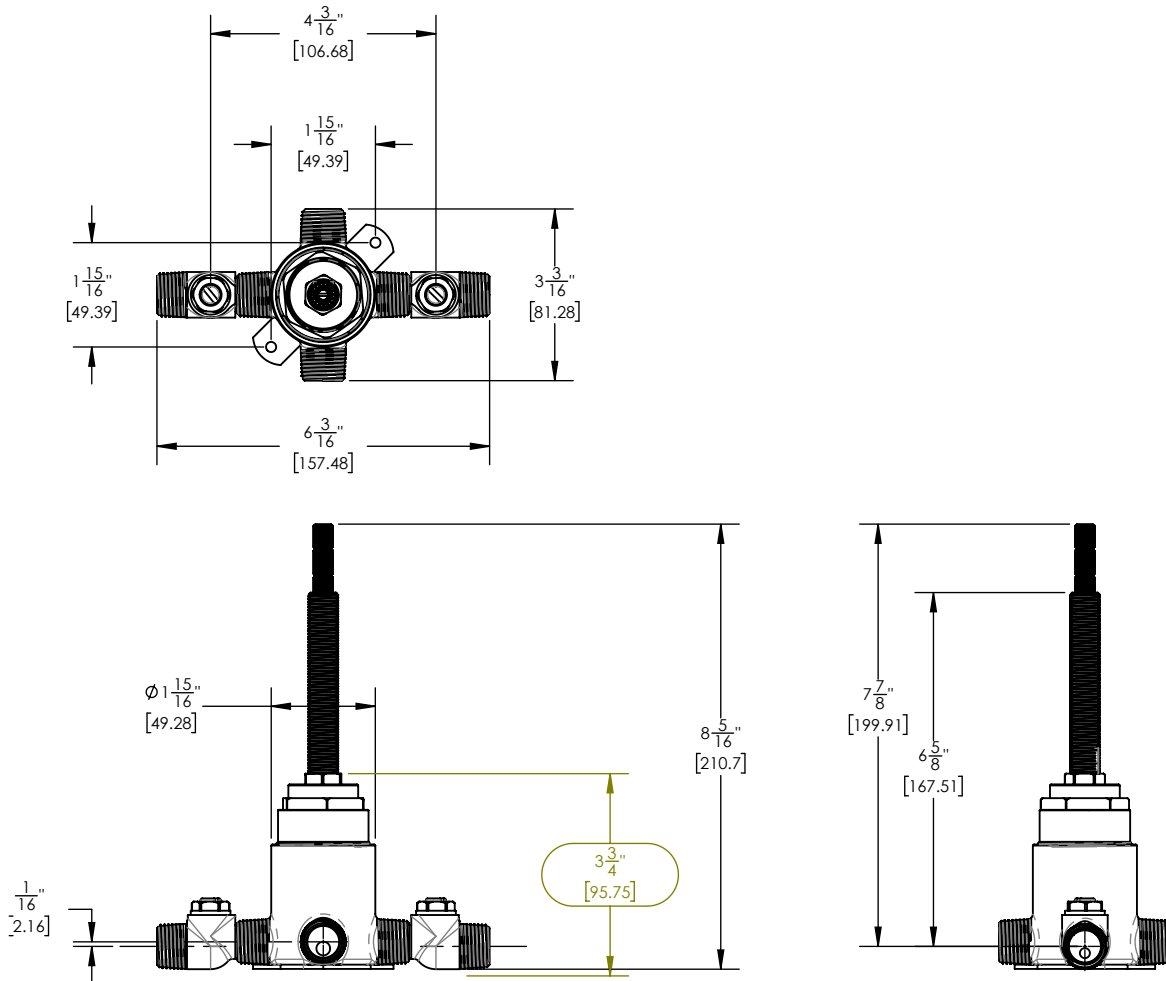
■ **PRODUCT FEATURES**

- Male 1/2" NPT inlets and outlets
- Factory temperature setting = Max. 118°F (48°C)
- Temperature range = 52°F to 118°F (11°-48°C)
- Temperature Hot Supply = 149°F to 180°F (65° to 82°C)
- Temperature cold supply = 50° to 72°F (10°-22°C)
- Adjustable Temperature Limit Stop
- Temperature stability compliant with ASSE 1016

■ **TECHNICAL DETAILS**

ADA Compliance: No
 Primary Material: Brass

■ **PRODUCT DIMENSIONS**



www.phylrich.com

1261 Logan Avenue, Costa Mesa, California 92626.
 Phone: 714.361.4800 Fax: 714.617.3120



CODES & STANDARDS

ASME A112.181/ CSA B1251, ASSE 1016

WARRANTY

Mechanical Warranty: 10 Years from date of purchase.
 Finish Warranty: See catalog for further information.

Rev-