



PREMIER
COPPER PRODUCTS

ITEM # KA50DB33229BS

33" KITCHEN APRON

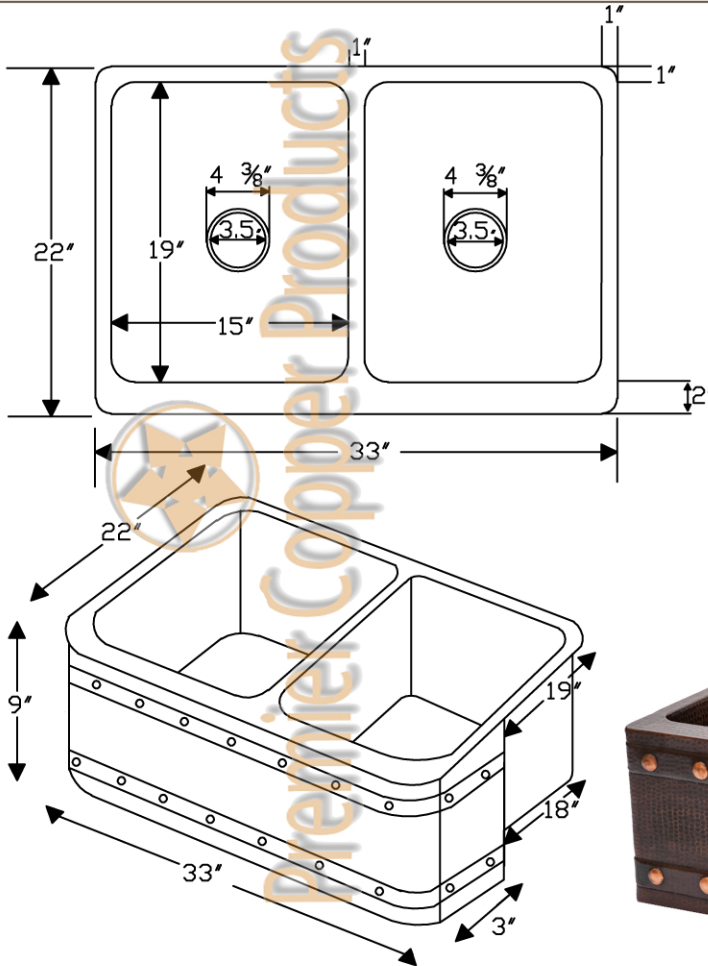
50/50 SINK W/ BARREL STRAP DESIGN

OUTER DIMENSIONS: 33"X22"X9"

INNER DIMENSIONS: L:15"X19"X9" R:15"X19"X9"

DRAIN SIZE: 3.5" STANDARD

MATERIAL GAUGE: 14



IMPORTANT: THIS PRODUCT IS HAND CRAFTED AND SMALL VARIANCES MAY OCCUR. DIMENSIONS MAY VARY UP TO 1/4". DO NOT MAKE ANY INSTALLATION CUTS UNTIL YOU RECEIVE YOUR SINK.