

Premier Copper Products

CODE/STANDARD COMPLIANCE

* IAPMO/cUPC LISTED



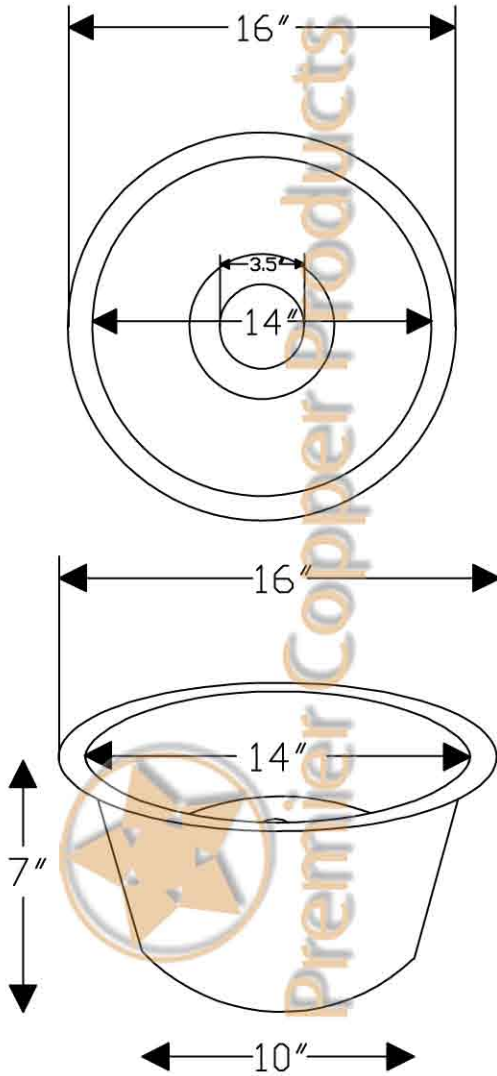
ITEM # BR16DB3 16" ROUND BAR

OUTER DIMENSIONS: 16"X7"

INNER DIMENSIONS: 14"X7"

DRAIN SIZE: 3.5" PREP STANDARD

MATERIAL GAUGE: 17



IMPORTANT: THIS PRODUCT IS HAND CRAFTED AND SMALL VARIANCES MAY OCCUR. DIMENSIONS MAY VARY UP TO 1/4". DO NOT MAKE ANY INSTALLATION CUTS UNTIL YOU RECEIVE YOUR SINK.