



OLYMPIA FAUCETS, INC.
3325 S. Garfield Ave.
Commerce, CA 90040
(888) 772-7701
www.olympiafaucets.com

INSTALLATION

Tools:



Adjustable Wrench



Silicone Sealant



Teflon Tape



Rags

Model Number: P-2230T, P-2270T, P-2280T, P-2290T

Warnings and Notes:

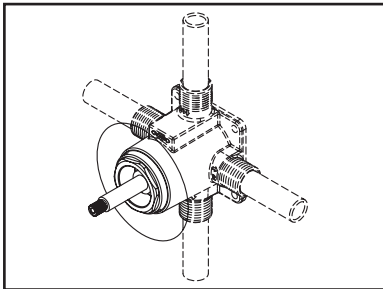
Check with local plumbing code requirements before installation.
This product should be installed by a local listed plumber.

Do not use plumbers putty on threads.

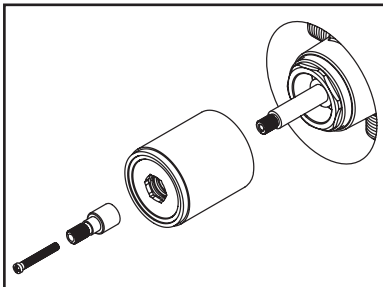


Installation Steps:

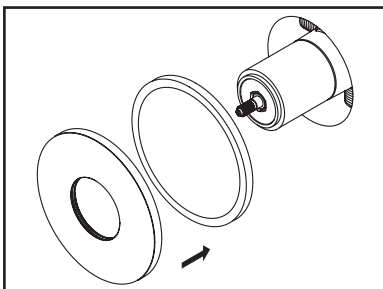
Single Handle Diverter Trim Set



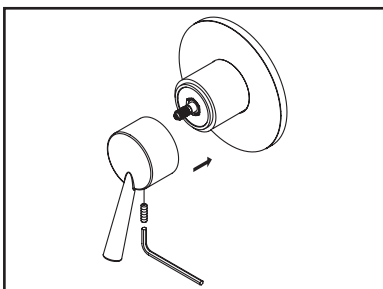
(1) Remove the protective cover if placed on the valve



(2) Thread the sleeve on the valve. Install the handle adapter on the stem and secure the handle adapter with the screw.



(3) Slide the face plate on the sleeve. Ensure the rubber gasket is behind the face plate. Apply silicone to caulk around the flange to form water tight seal.

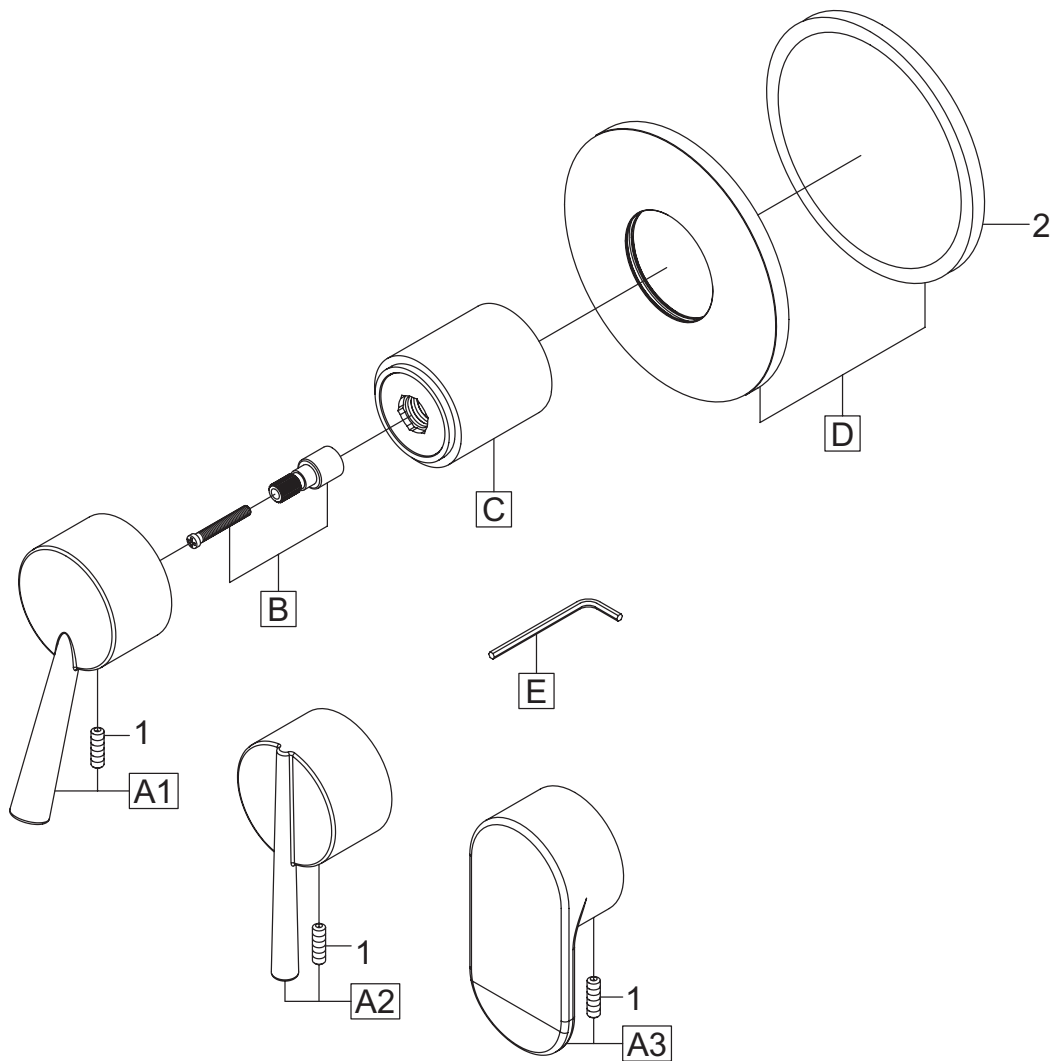


(4) Attach the handle to the handle adapter. Tighten the Allen screw to secure the handle by using 3/32" Allen wrench. Check if the water diverts to desired outlet properly.

Exploded Drawing: (P-2230T, P-2270T, P-2280T)

* Note: Please specify finish/color when ordering.

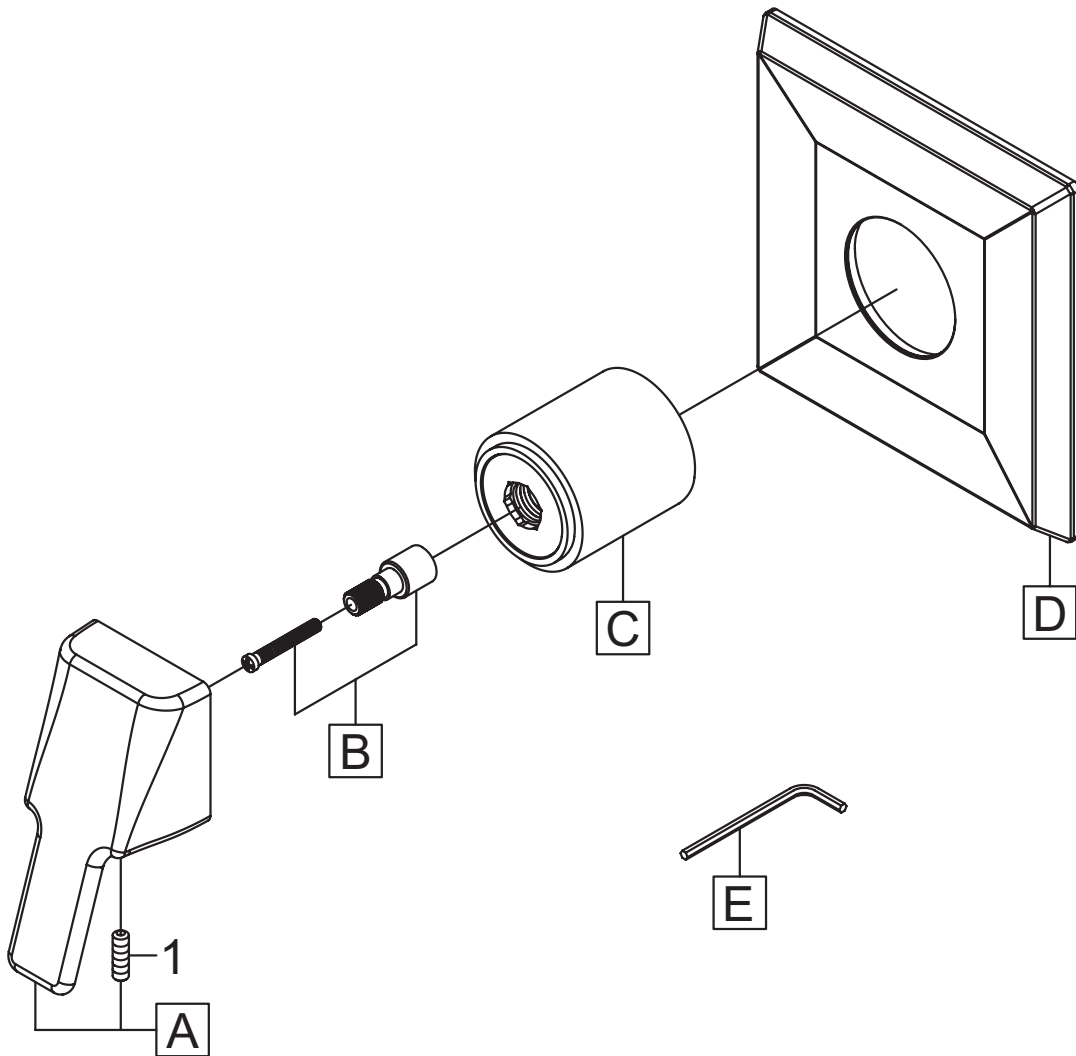
	ITEM #	DESCRIPTION
A1	OP-160003*	Lever Handle (For P-2270T)
A2	OP-140018*	Lever Handle (For P-2280T)
A3	OP-140020*	Lever Handle (For P-2230T)
B	OP-460022	Handle Adapter
C	X-4600035*	Sleeve
D	X-4600011*	Face Plate
E	OP-490011	3/32" Allen Wrench
1	OP-440043	3/32" Allen Screw
2	X-4600012	Rubber Gasket



Exploded Drawing: (P-2290T)

* Note: Please specify finish/color when ordering.

	ITEM #	DESCRIPTION
A	OP-140019*	Lever Handle
B	OP-460022	Handle Adapter
C	X-4600035*	Sleeve
D	X-6600004*	Face Plate
E	OP-490011	3/32" Allen Wrench
1	OP-440043	3/32" Allen Screw



For more care information or trouble shooting inquiries
about your Olympia product, Please call:
OLYMPIA FAUCETS, INC. (888) 772-7701
Monday-Friday 8 AM to 8 PM EST (5 AM to 5 PM PST)
www.olympiafaucets.com