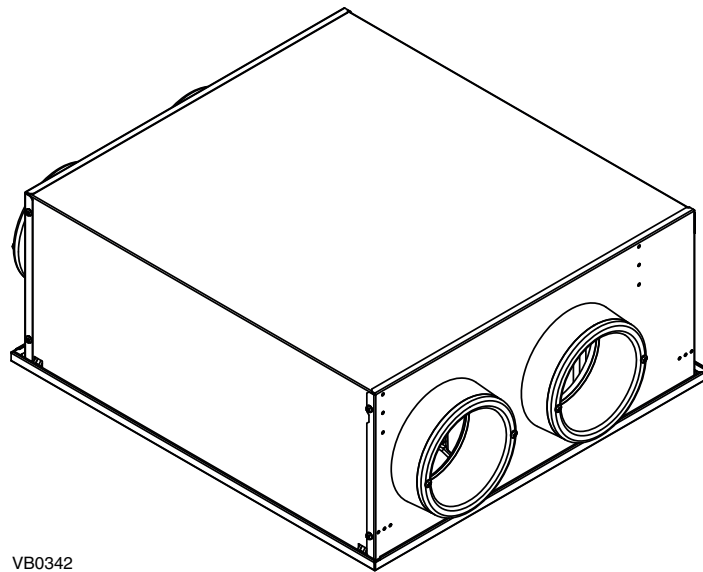




## INSTALLATION AND USER GUIDE FOR BROAN ERVS100S AND ERVS100S-HW



VB0342

**⚠ RESIDENTIAL USE ONLY ⚠**

**READ AND SAVE THESE INSTRUCTIONS  
INSTALLER: LEAVE THIS MANUAL WITH HOMEOWNER**

Broan-NuTone LLC, 926 west State Street, Hartford, Wisconsin, USA 800-558-1711 broan-nutone.com

REGISTER YOUR PRODUCT ONLINE AT: [www.broan-nutone.com/register](http://www.broan-nutone.com/register)

For additional information - visit [www.broan-nutone.com](http://www.broan-nutone.com)



7 72371 13546 8

22077 rev. L

# ABOUT THIS MANUAL

Please take note that this manual uses the following symbols to emphasize particular information:

## ⚠ WARNING

Identifies an instruction which, if not followed, might cause serious personal injuries including possibility of death.

## CAUTION

Identifies an instruction which, if not followed, may severely damage the unit and/or its components.

NOTE: Indicates supplementary information needed to fully complete an instruction.

# ABOUT THESE UNITS

## LIMITATION

For residential (domestic) installation only. Installation work and electrical wiring must be done by a qualified person(s) in accordance with all applicable codes and standards, including fire-rated construction codes and standards.

## ⚠ WARNING

**TO REDUCE THE RISK OF FIRE, ELECTRIC SHOCK, OR INJURY TO PERSON(S) OBSERVE THE FOLLOWING:**

1. Use this unit only in the manner intended by the manufacturer. If you have questions, contact the manufacturer at the address or telephone number listed in the warranty.
2. Before servicing or cleaning the unit, disconnect the power cord from electrical outlet or turn power off at the service panel.
3. This unit is not designed to provide combustion and/or dilution air for fuel-burning appliances.
4. When cutting or drilling into a wall or ceiling, do not damage electrical wiring and other hidden utilities.
5. Do not use this unit with any solid-state speed control device other than following controls:

AUXILIARY CONTROLS ENERGIZED BY UNIT
BROAN VB20W 20-MINUTE LIGHTED PUSH-BUTTON TIMER
STANDARD DRY CONTACT STANDBY SWITCH

6. This unit must be grounded. **For the ERVS100S unit only:** The power supply cord has a 3-prong grounding plug for your personal safety. It must be plugged into a mating 3-prong grounding receptacle, grounded in accordance with the national electrical code and local codes and ordinances. Do not remove the ground prong. Do not use an extension cord.
7. Do not install in a cooking area or connect directly to any appliances.
8. Do not use to exhaust hazardous or explosive materials and vapors.
9. This unit must be protected from the elements.
10. When performing installation, servicing or cleaning these units, it is recommended to wear safety glasses and gloves.
11. When applicable local regulation comprises more restrictive installation and/or certification requirements, the aforementioned requirements prevail on those of this document and the installer agrees to conform to these at his own expense.

## CAUTION

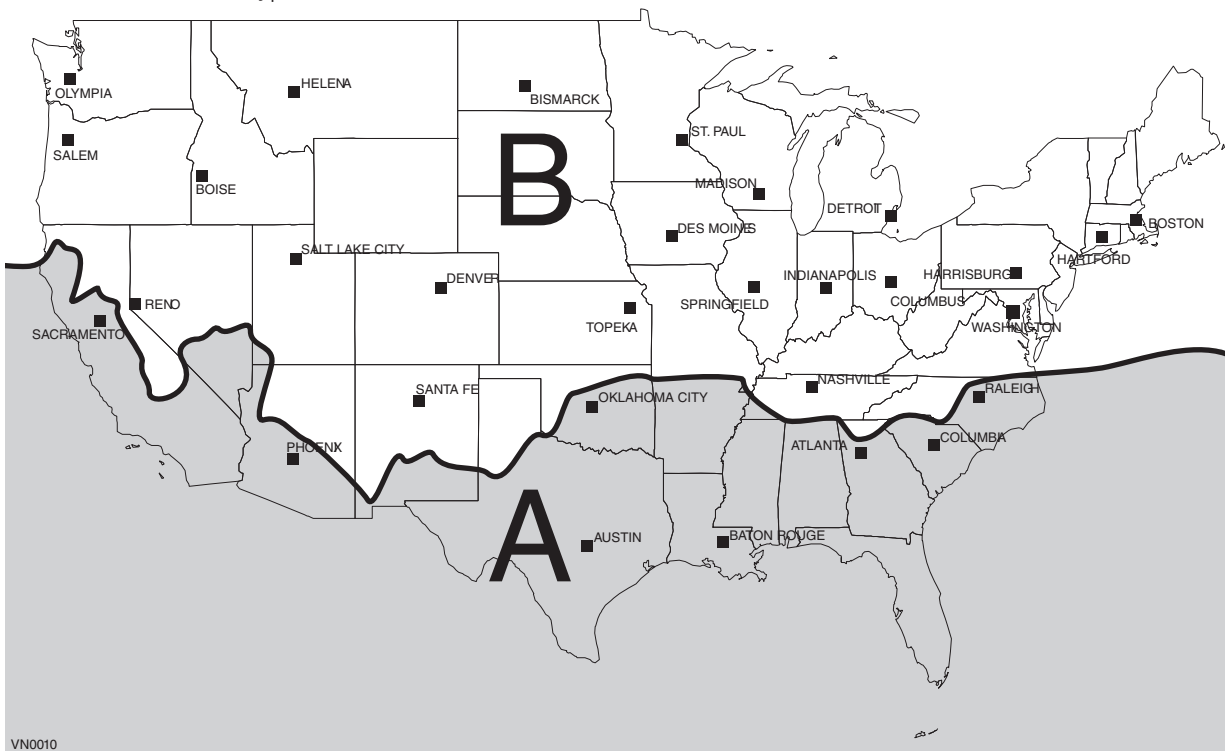
1. Do not use your unit during construction or renovation of your house or when sanding drywall. Certain types of dust and vapors may damage your system.
2. Please read specification label on product for further information and requirements.
3. Be sure to duct air outside – Do not intake/exhaust air into spaces within walls or ceiling or into attics, crawl spaces, or garage. Do not attempt to recover the exhaust air from a dryer or a range hood.
4. Intended for residential installation only in accordance with the requirements of NFPA 90B (for a unit installed in U.S.A.).
5. Do not run any air ducts directly above or within 2 ft of a furnace or its supply plenum, boiler, or other heat producing appliance.
6. The ductwork is intended to be installed in compliance with all applicable local and national codes.
7. When leaving the house for a long period of time (more than two weeks), a responsible person should regularly check if the unit operates adequately.
8. If the ductwork passes through an unconditioned space (e.g.: attic), the unit must operate continuously except when performing maintenance and/or repair. Also, the ambient temperature of the house should never drop below 65°F.
9. At least once a year, the unit mechanical and electronic parts should be inspected by qualified service personnel.
10. Make sure at all times that the outside intake and exhaust hoods are free from any snow during the winter season. It is important to check your unit during a big snow storm, so it doesn't draw in any snow. If this is the case, please turn the unit OFF for a few hours.
11. Since the electronic control system of the unit uses a microprocessor, it may not operate correctly because of external noise or very short power failure. If this happens, unplug the unit (or, if hard-wired, turn off power at service panel) and wait approximately 10 seconds. Then, plug the unit in again (or restore power from service panel).
12. Do not make excessive use of fragrance appliances or chemicals since some may damage the unit components material.
13. For installation within a garage, make sure the unit door is always closed except during attended maintenance to reduce the likelihood of exhaust fumes to be introduced within the home.

# TABLE OF CONTENTS

1	Safe Installation Zone .....	3
2	Unit Preparation .....	4
2.1	Choose an Appropriate Location for the Unit .....	4
2.2	Electrical Connection Type (Cord Connected or Hardwired) .....	4
3	Installation .....	4-12
3.1	Positioning the Unit .....	4-6
3.2	Combining with an AHU .....	7
3.3	Installing the Registers, Ductwork and Hoods.....	8-9
3.4	Installing a Tandem® Transition* Kit.....	9
3.5	Connecting the Controls .....	10
3.6	Connecting the Hardwire Connection (ERVS100S-HW unit only).....	11-12
4	Getting the Unit Started.....	13
4.1	Unit Settings .....	13
4.2	Prepare the Unit.....	13
4.3	Booting Sequence .....	13
5	Maintenance.....	14-15
5.1	Quarterly Maintenance .....	14
5.2	Annual Maintenance.....	15
6	Warranty .....	15
7	Wiring Diagram .....	16
8	Service Parts .....	17
9	Troubleshooting .....	18

## 1 Safe Installation Zone

Installation requirements differ from zones A and B shown within map below, refer to sections 3.1 to 3.3.2 for specific details and cautions for each installation type.



## 2 Unit Preparation

- Inspect the exterior of the unit for shipping damage.
- Unit should never operate while the building is still in construction.
- Unit is shipped with its door covered with a cardboard for protection during construction. Leave the cardboard on until painting.

### 2.1 Choose an Appropriate Location for the Unit

- Within an area of the house where the ambient temperature is kept between 50°F and 135°F;
- Away from living areas (dining room, living room, bedroom), if possible to reduce noise level;
- So as to provide easy access to the interior cabinet for maintenance;
- Close to an exterior wall, so as to limit the length of the insulated flexible ducts to and from the unit;
- Away from hot chimneys, electrical panel and other fire hazards;
- Within 28" of a power source (standard outlet, ERVS100S unit only).

### 2.2 Electrical Connection Type (Cord Connected or Hardwired)

- According to your needs and applicable codes, make sure you have the appropriate model (ERVS100S: cord connected unit and ERVS100S-HW: hardwired unit).

## 3 Installation

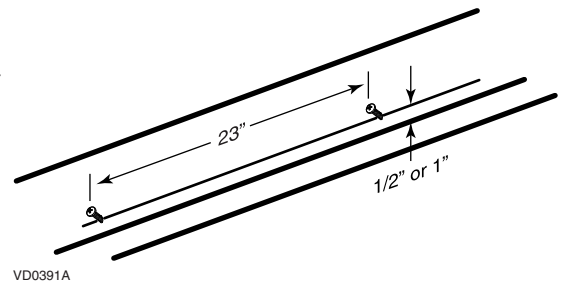
Unit must be installed in the horizontal orientation as shown in section 3.1.

### 3.1 Positioning the Unit

- Unit can be installed between 24" on-center trusses, on top of 24" on-center trusses in reversed position or under the ceiling, using brackets. A set of 4 brackets is included in the hardware kit, along with the necessary screws.
- The unit shall be connected to a 15-amp electrical circuit. It is recommended to label the circuit to identify this system as the Fresh Air System. If cord connected (ERVS100S unit only), a standard 3-prong electrical outlet has to be available within 28" of the unit.
- Allow a 12" clearance for the door, core and filters to be removed for maintenance.

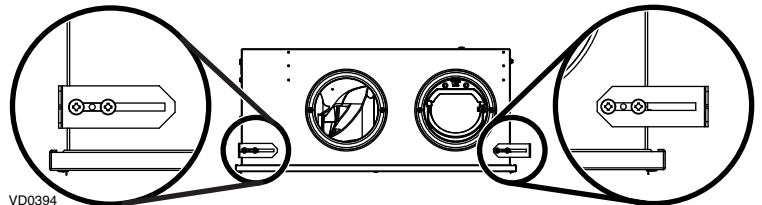
#### 3.1.1 Installation in the ceiling (between 24" on-center trusses)

1. Trace a level line on both trusses, at 1/2" or 1" from the bottom, for the unit bracket location (1/2" will allow the unit door perimeter to lay on ceiling material while 1" will result in flush mount installation; see **A** and **B** in next page). On one truss, screw half way on level line two no. 8 x 1 1/2" provided screws, leaving 23" between each other.

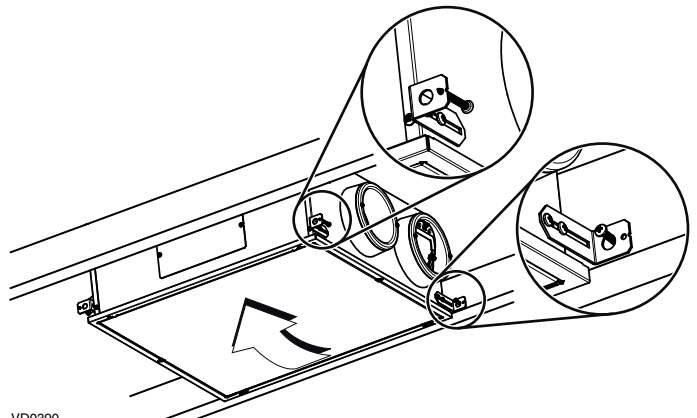


2. Mount the 4 brackets to the unit as illustrated at right, using two no. 10 x 5/8" screws provided for each bracket.

TIP: Screw half way the screws to allow adjustment between trusses, see insets at right (left shows the minimum distance and right the maximum distance).



3. Hang the lightest side of the unit on the screws mounted on the truss using the larger holes of the brackets.
4. Lift the other side of the unit and secure it to the other truss using one no. 8 x 1 1/2" screw per bracket, inserted through the smaller hole of the brackets.

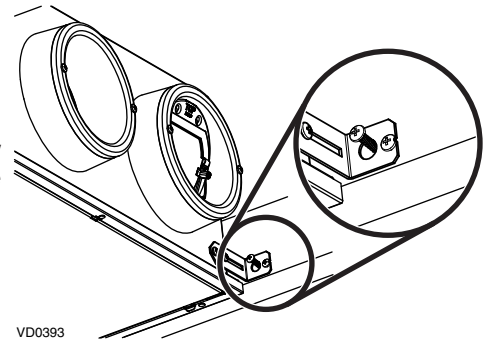


# 3 Installation (cont'd)

## 3.1 Positioning the Unit (cont'd)

### 3.1.1 Installation in the ceiling (between 24" on-center trusses) (cont'd)

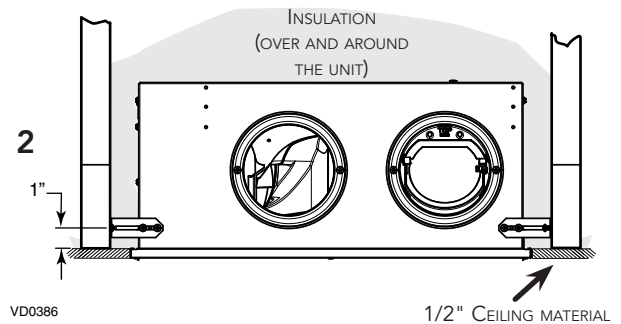
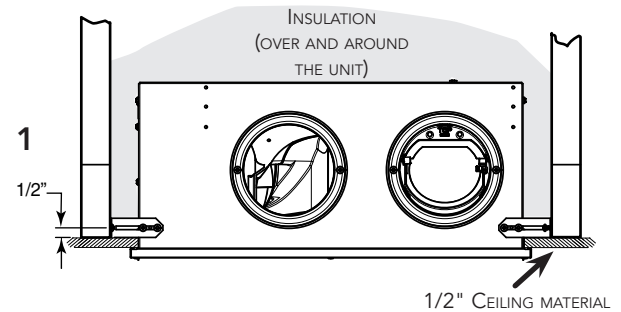
- Secure the first brackets installed to the truss using one no. 8 x 1½" screw per bracket, inserted through the smaller hole, then tighten completely the brackets screws to the unit.



#### ZONE A

**CAUTION**  
 When installed in ceiling in the attic of a zone A, insulation must be spread over the unit. Installed unit area ambient temperature must be kept between 50°F and 135°F.

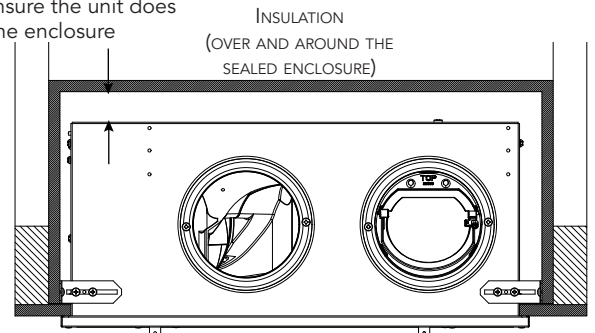
- Spread the insulation over and around the unit.



A clearance of about 1" is needed over the unit to ensure the unit does not touch the enclosure

#### ZONE B

**CAUTION**  
 When installed in the ceiling in an unconditioned space (e.g.: attic), above the unit in zone B, a sealed enclosure must be installed over and around the unit to avoid air leakage, condensation and mold growth risks. Insulation must be spread over and around the enclosure. Ducting must pass through the sealed enclosure and must be sealed to the enclosure.



DOOR FRAME COULD BE MOUNTED FLUSH TO CEILING MATERIAL AS SHOWN IN OPTION 2 ABOVE.

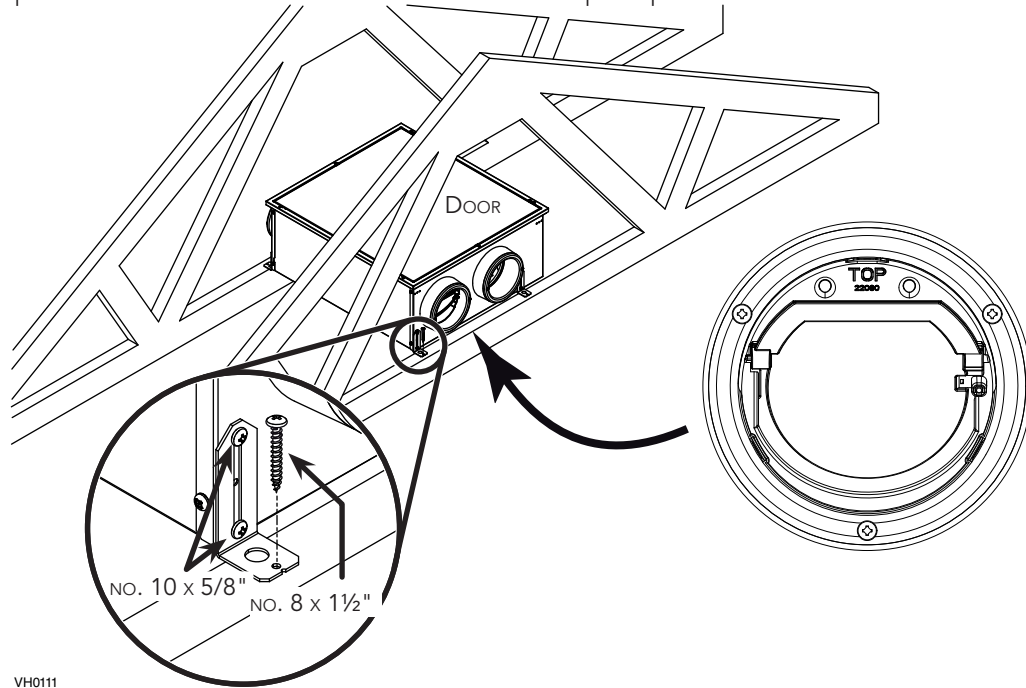
- Spread the insulation over and around the sealed enclosure.

# 3 Installation (cont'd)

## 3.1 Positioning the Unit (cont'd)

### 3.1.2 Zone A only - Installation in the attic over the insulation (unit having its door on top)

1. Rotate the backdraft damper 180° (no tool required) so that it falls in closed position and the word "TOP" engraved on the damper is up once the unit is in place.
2. Mount the brackets to the unit as illustrated below using two no. 10 x 5/8" screws provided for each bracket.
3. Secure the unit to the trusses using one no. 8 x 1½" screw provided for each bracket.
4. **IMPORTANT:** For unvented attic and without radiant barrier sheathing, insulation material must be added around and over the unit to prevent excess of heat in the unit. Ensure access is kept for product maintenance.

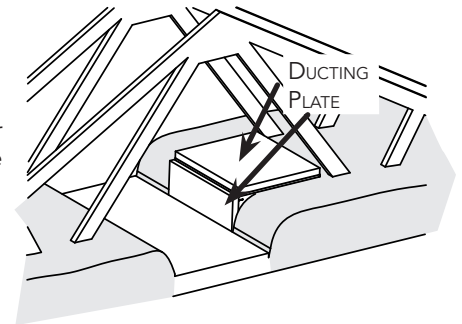


VH0111

#### CAUTION

Installed unit area ambient temperature must be kept between 50°F and 135°F, insulation material must be added over the unit if temperature in attic exceeds this limit in summer to protect electronic components from exposure to high temperature.

Spread the insulation around the unit, then use an insulated ducting plate to cover the unit door to maintain access inside the unit. Make sure to keep 12" clearance above the unit to remove the door, the core and filters for maintenance purposes.

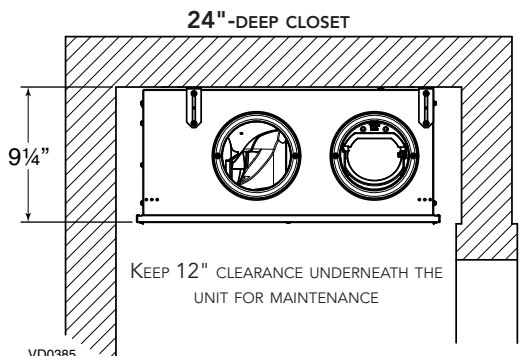


VH0116

### 3.1.3 Installation under the ceiling (in a conditioned space)

NOTE: Validate applicable codes; model ERVS100S-HW might be required for this type of installation.

1. Mount the brackets to the unit as illustrated above using two no. 10 x 5/8" screws provided for each bracket.
2. Secure unit to the ceiling using two no. 8 x 1½" screws provided for each bracket, making sure not to secure it into drywall alone.



VD0385

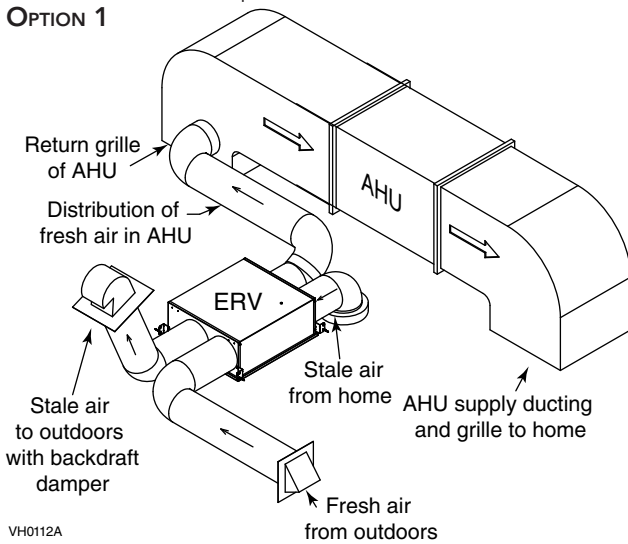
# 3 Installation (cont'd)

## 3.2 Combining with an AHU

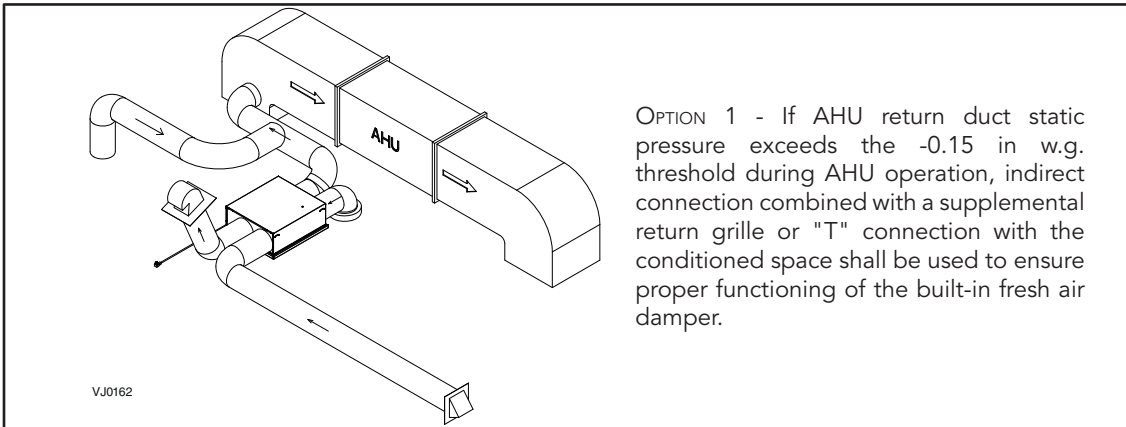
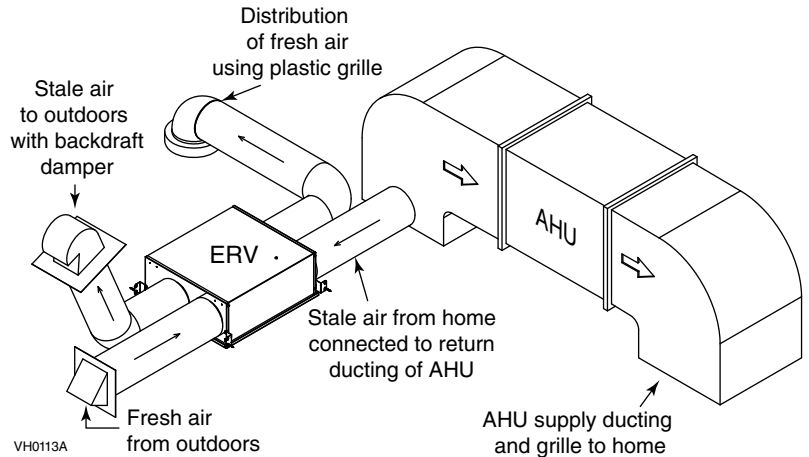
### 3.2.1 Recommended configurations

When the distribution of fresh air from the ERV is connected to the return of an AHU (such as in the image below, on the left), the connection should be done **as close as possible from one AHU return grille** to ensure proper functioning of the built-in fresh air damper.

OPTION 1



OPTION 2

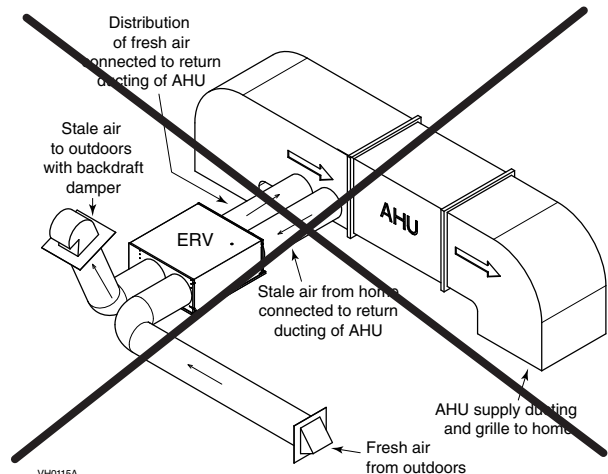
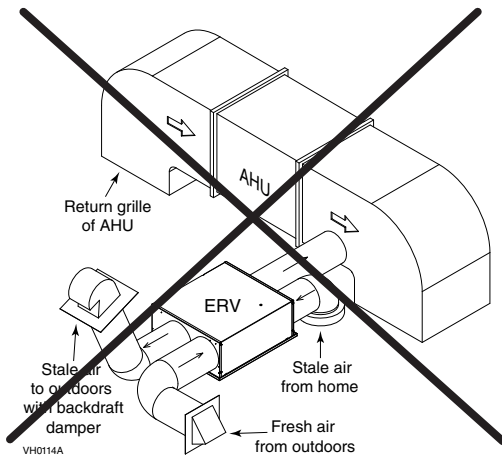


OPTION 1 - If AHU return duct static pressure exceeds the -0.15 in w.g. threshold during AHU operation, indirect connection combined with a supplemental return grille or "T" connection with the conditioned space shall be used to ensure proper functioning of the built-in fresh air damper.

### 3.2.2 Prohibited configurations

Distribution of fresh air from the ERV in the distribution ducting from the AHU (such as in the image below, on the left) may cause condensation issues during cooling season and must be avoided.

Connecting both distribution of fresh air from the ERV and stale air exhaust in the AHU return ducting (such as in the image below, on the right) must be avoided.



## 3 Installation (cont'd)

### 3.3 Installing the Registers, Ductwork and Hoods

#### 3.3.1 Registers

#### ⚠ WARNING

Never install a stale air exhaust register in a closed room where a combustion device operates, such as a gas furnace, a gas water heater or a fireplace.

Refer to applicable building codes to plan where the stale air exhaust registers and fresh air distribution registers should be installed. Below are some general recommendations.

#### Stale air exhaust registers:

- Install the stale air exhaust registers where the contaminants are produced: bathroom (up to 2), kitchen, living room, etc. Position the registers as far from the stairway as possible and in such a way that the air circulates in all the lived-in spaces in the house.
- If a register is installed in the kitchen, it must be located at least 4 feet away from the cooking appliances.
- Install the registers on an interior wall, 6 to 12 inches below the ceiling OR in the ceiling.

#### Fresh air distribution registers (Option 2 in 3.2.1):

- Install the fresh air distribution registers in bedrooms, dining rooms, living rooms and basement, if applicable.
- Keep in mind that the fresh air registers must be located as far as possible from the ERV stale air registers.
- Install the registers on an interior wall, 6 to 12 inches below the ceiling OR in the ceiling.
- If a register must be floor installed, direct the airflow up the wall.

#### 3.3.2 Ductwork

#### ⚠ WARNING

When performing duct connections, always use approved tools and materials. Respect all corresponding laws and safety regulations. Please refer to your local building code.

#### CAUTION

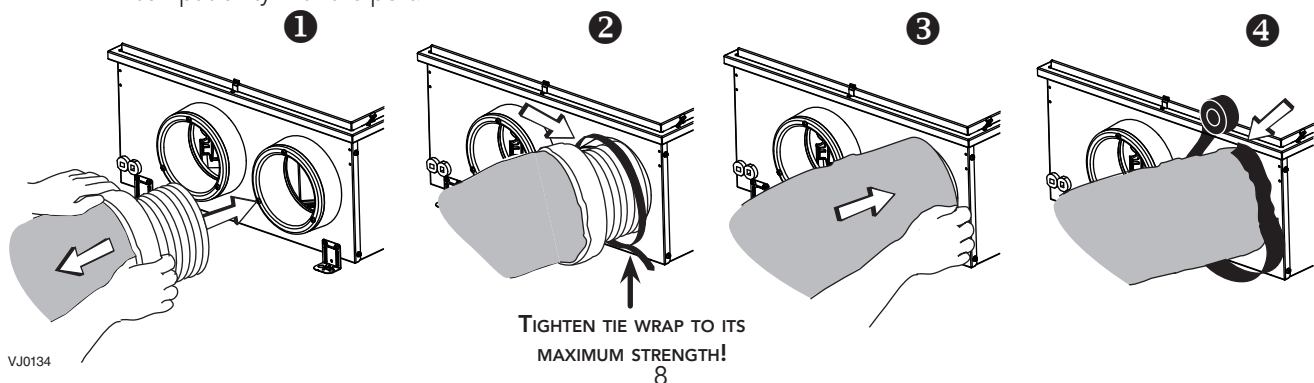
If ducts have to go through an unconditioned space (e.g.: attic), always use insulated ducts to prevent condensation formation inside and outside ducts, which could cause material damage and/or mold growth. Moreover, in zone B, if fresh air to building duct and/or stale air from building duct goes/go through an unconditioned space, these ducts must be buried with a minimum of R20 insulation in order to prevent heat recovery performance reduction and cooling of the distributed fresh air to the living areas during winter operation. Also, the unit must be set to operate continuously in cold conditions (below 50°F) if these ducts have to go through an unconditioned space in zones A and B. Continuous air movement inside ducts will prevent condensation formation. The unit can be stopped temporarily for maintenance and/or repair purposes in such conditions.

- All units ports should be connected to 6" ducts, but can be connected to larger ducts using an appropriate transition.
- If you have to connect rigid ducts to the unit, use a short length (approximately 6") of flexible duct to avoid transmission of vibrations. Use a tie wrap and foil tape to connect the flexible duct to the port and to the rigid duct.
- Never use screws to connect rigid ducting to the ports.

#### Connecting insulated flexible ducts to the ports:

1. Pull back the insulation to expose the flexible duct.
2. Attach the flexible duct to the port using a tie wrap; ensure tie wrap is tighten to its maximum strength.
3. Pull the insulation over the joint, then pull the vapor barrier (shaded part in illustrations below) over the insulation. Make sure that the vapor barrier does not tear due to manipulation to avoid condensation within the ducts.
4. Apply foil tape to the joint, making an airtight seal. Avoid compressing the insulation when pulling the tape tightly around the joint. Compressed insulation loses its R value and causes water dripping in cold climates due to condensation on the exterior surface of the duct.

NOTE: If sealant mastic has to be used over the foil tape as an extra sealing layer, use water based mastic to ensure material compatibility with the port.





## 3 Installation (cont'd)

### 3.3 Installing the Registers, Ductwork and Hoods (cont'd)

#### 3.3.3 Hoods

Refer to applicable building codes to plan where the stale air exhaust hood and fresh air distribution hood should be installed. Below are some general recommendations.

#### ⚠ WARNING

Make sure the intake hood is at least 6 feet away from any of the following:

- Dryer exhaust, high efficiency furnace vent, central vacuum vent
- Gas meter exhaust, gas barbecue-grill
- Any exhaust from a combustion source
- Garbage bin and any other source of contamination

- There must be a minimum distance of 10' between the hoods to avoid cross-contamination.
- Hoods must be at least 18" above the ground.
- Exhaust hood must have a backdraft damper.

### 3.4 Installing a Tandem® Transition\* Kit

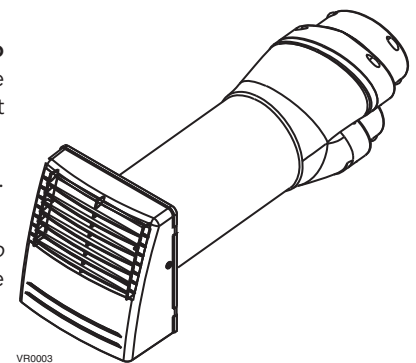
#### CAUTION

If using a Tandem Transition, a backdraft damper must be installed on the stale air to outdoors duct. If this causes an interruption in the duct insulation, insulation must be added around the backdraft damper to avoid condensation.

If desired, a Tandem transition kit can be used instead of 2 exterior hoods.

- An additional backdraft damper (not included) must be installed on the **stale air to outdoors** duct following common best practice. Should the backdraft damper cause an interruption in the insulation of the stale air to outdoors duct, make sure that insulation is added around the backdraft damper to avoid condensation.
- The joist opening needed to install the Tandem® transition must be 9¾" minimum. The maximum height of the Tandem transition is 8¾".
- To connect the insulated flexible ducts to the Tandem transition (*Exhaust air to outdoors* and *Fresh air from outdoors*), follow the instructions included with the Tandem transition kit (part no. VTYIK1).

\*Patented.



VR0003  
Tandem transition kit

# 3 Installation (cont'd)

## 3.5 Connecting the Controls (energized by unit, low voltage)

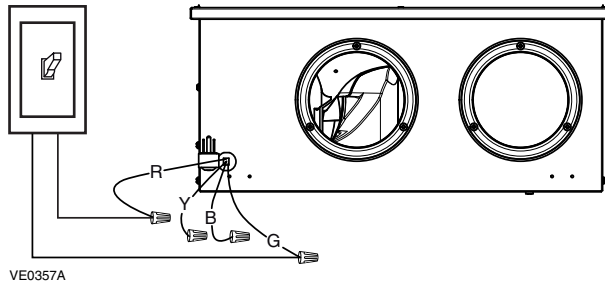
- Controls are not included with this unit.
- Unit may be connected to a dry contact Standby switch if desired. In such case, unit remains powered on, but is put in Standby mode when the switch is turned on.
- This ERV can replace up to 2 bath fans. Where this is the case, unit should be connected to a 20-minute override control in each bathroom.

### 3.5.1 Connecting unit to a Standby switch

Install the dry contact Standby switch in a convenient place and connect it to unit as follows.

**CAUTION**  
Ensure all unused wires are capped off.

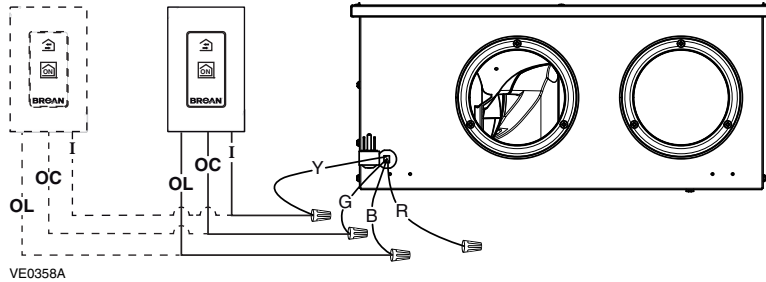
Switch position	Unit mode
Dry contact opened	Unit will run in the selected mode Refer to 4.1
Dry contact closed	Unit is kept in Standby mode



R RED  
Y YELLOW  
B BLACK  
G GREEN

### 3.5.2 Connecting unit to 1 or 2 Broan VB20W 20-minute push-button control(s)

1. Install the 20-minute push-button control in the bathroom(s) following instructions included with the control.
2. Connect it to unit as follows.

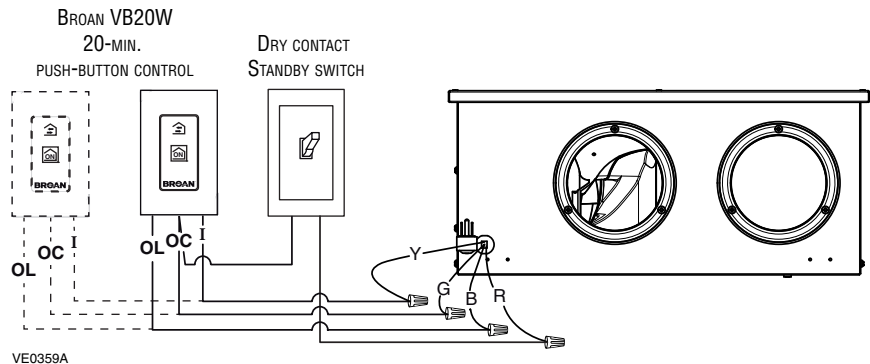


R RED  
Y YELLOW  
B BLACK  
G GREEN

### 3.5.3 Connecting unit to a Standby switch AND 1 or 2 Broan VB20W 20-minute push-button control(s)

1. Install the 20-minute push-button control in the bathroom(s) following instructions included with the control.
2. Install the Standby switch in a convenient place.
3. Connect both with the unit as follows.

Switch position	Unit mode
Dry contact opened	Unit will run in the selected mode Refer to 4.1
Dry contact closed	Unit is kept in Standby mode



R RED  
Y YELLOW  
B BLACK  
G GREEN

This connection allows the operation of VB20W push-button controls even if the dry contact standby switch is turned off.

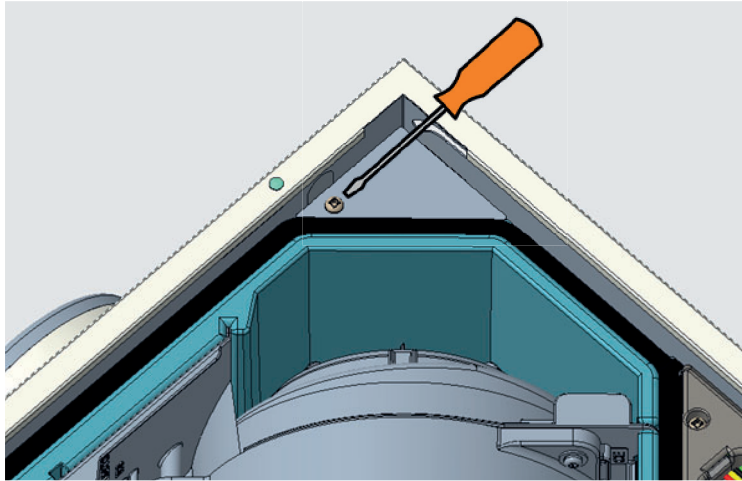
## 3 Installation (cont'd)

### 3.6 Connecting the Hardwire Connection (ERVS100S-HW unit only)

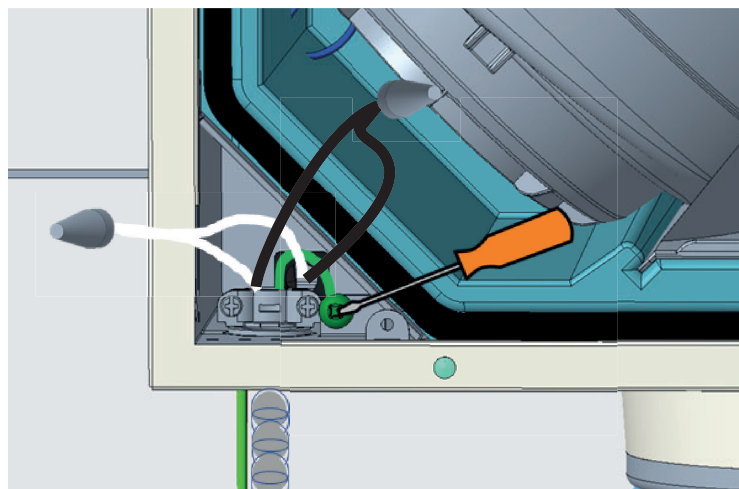
#### ⚠ WARNING

Risk of electric shock. Electrical wiring must be done by qualified personnel in accordance with all applicable codes and standards. Before connecting wires, switch power off at service panel and lock service disconnecting means to prevent power from being switched on accidentally. Hardwired connection requires the use of flexible conduit.

1. Open the unit door.
2. Remove and set aside the electrical compartment cover.



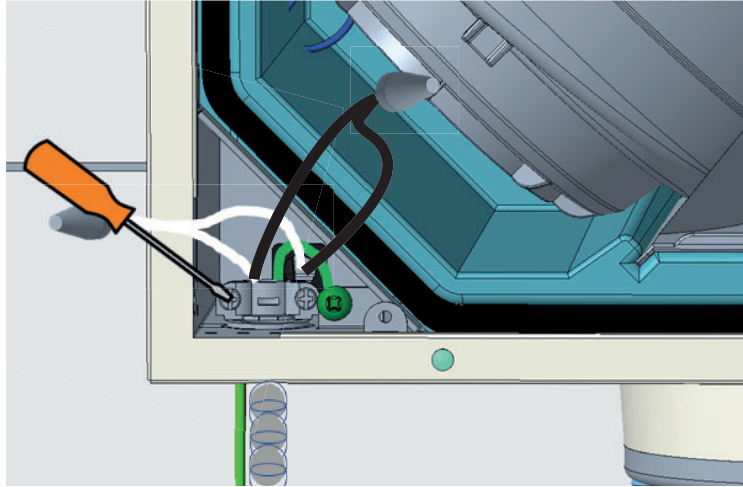
3. Install the cable clamp connector included in the kit and tighten so cable clamp screws are accessible. Insert the end of the flexible conduit inside the unit, through the cable clamp connector.
4. Connect the ground wire from the flexible conduit to the GREEN ground screw inside the electrical compartment. Using included wire nuts, perform the hardwire connection as follows: BLACK wire to BLACK wire, WHITE wire to WHITE wire.



## 3 Installation (cont'd)

### 3.6 Connecting the Hardwire Connection (ERVS100S-HW unit only) (cont'd)

5. Fasten the flexible metal conduit to the provided cable clamp connector by tightening the screws on each side of the cable clamp connector. Do not overtighten such that the flexible metal conduit is damaged.



6. Insert all the wires inside the electrical compartment.
7. Reinstall and secure the electrical compartment cover, taking care not to pinch wires. Reinstall the unit door.
8. Restore power at service panel.

# 4 Getting the Unit Started

## 4.1 Unit Settings

- Settings should be changed by the installer after all construction work is over in order to comply to local building codes. Should the user want to change the settings later on, it should be done by an authorized servicer.
- Unit should never run while the building is still under construction.
- All units are factory set to Standby Mode, with the RH Limit set to the N position.
- See section 3.3.2 for specific details regarding winter operation.

### 4.1.1 Settings description

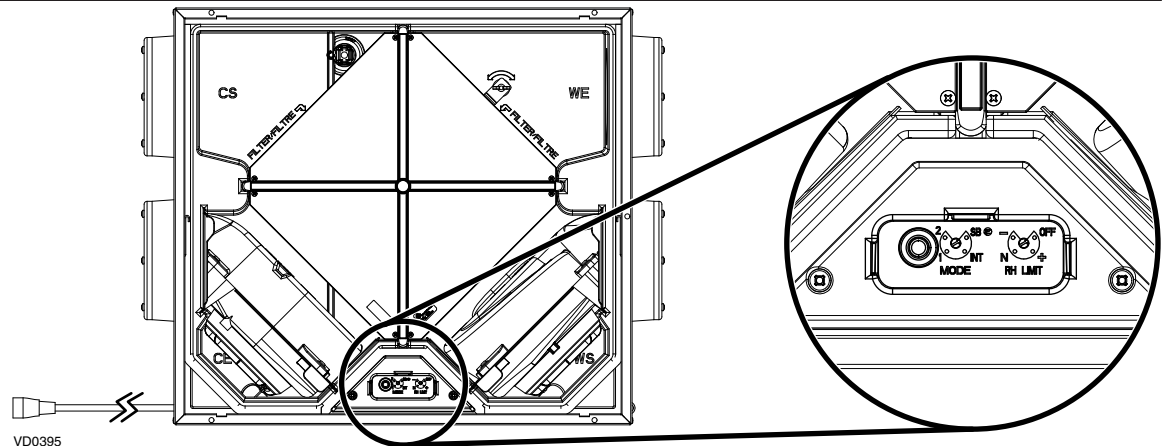
MODE		
POSITION	MODE	DESCRIPTION
SB	Standby	Unit is off. Unit can be activated in high speed by the VB20W 20-minute push-button control, if applicable.
INT	Intermittent	Unit works 20 minutes per hour in low speed. Unit can be activated in high speed by the VB20W 20-minute push-button control, if applicable.
1	Low Speed	Unit runs at 65 cfm. Unit can be activated in high speed by the VB20W 20-minute push-button control, if applicable.
2	High Speed	Unit runs at 105 cfm. Unit can be activated in high speed by the VB20W 20-minute push-button control, if unit is deactivated by RH limit.

RH LIMIT	
POSITION	DESCRIPTION
OFF	Relative humidity limit is deactivated.
+	Higher relative humidity limit.
N	Factory set relative humidity limit.
-	Lower relative humidity limit.

 Factory settings

### 4.1.2 Mode and RH Adjustable Controls Location

Remove the door to access the MODE and RH adjustable controls.



### 4.1.3 Choosing the right settings

#### Mode:

- Unit is factory set in Standby mode and should be set to the appropriate mode according to local building codes as well as the floor area of the residence, number of inhabitants and local weather conditions.

#### RH Limit:

- Unit is factory set to "N" and should normally remain in this setting unless local conditions require otherwise.

## 4.2 Prepare the Unit

- Make sure that the protective cardboard is removed from the door, if applicable.
- Verify damper orientation (see section 3.1.2).

## 4.3 Booting Sequence

When unit is powered on, it will go through a booting sequence during which it will test its components. The booting sequence will last less than a minute, after which the LED light will blink if there is a problem. If a Broan VB20W 20-minute push-button control is connected to the unit, it will also blink. The speed of the blinking indicates the nature of the issue:

- • • • Slow blinking: RH and temperature sensor problem
- • • • • • • Fast blinking: motor problem

See the Troubleshooting section of this guide for detailed troubleshooting instructions.

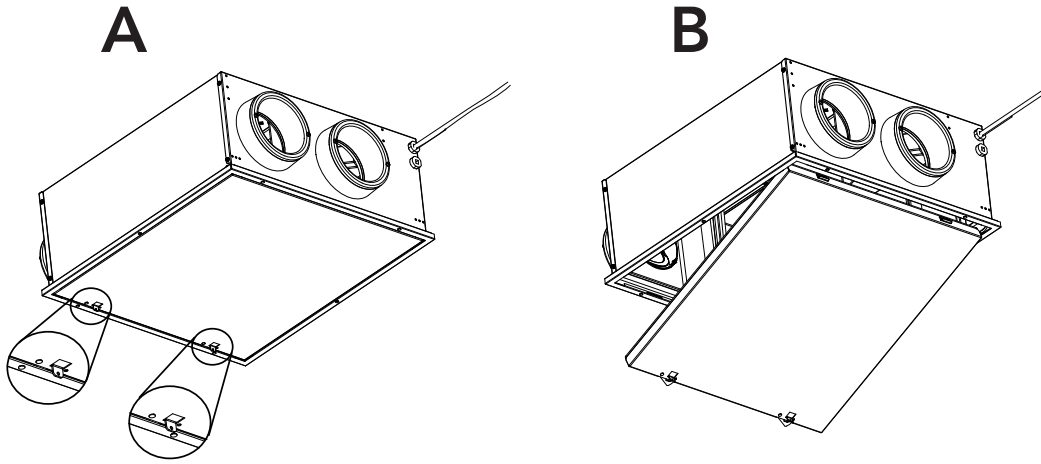
# 5 Maintenance

## ⚠ WARNING

Risk of electric shock. Before performing any maintenance or servicing, always turn power off at service panel or disconnect the unit from the outlet. When cleaning the unit, it is recommended to wear safety glasses and gloves.

### 5.1 Quarterly Maintenance

1. Disconnect unit or turn power off at service panel.
2. Open unit door by following these steps and referring to illustrations below:
  - A Push on the door retaining tabs to disengage these tabs from the unit frame (see insets).
  - B Rotate the door and remove it.



## CAUTION

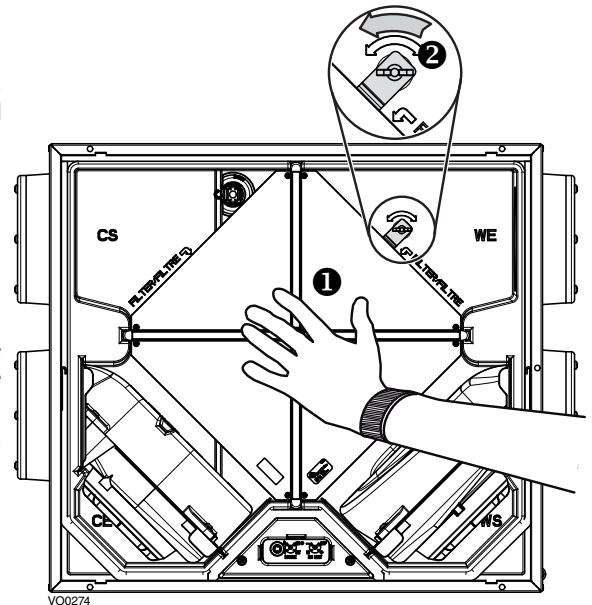
Be careful when opening the door; water may be present when outdoor temperature is cold.

3. While holding the core (1) if unit is installed in or under the ceiling, loosen the wing nut (2) and rotate the core retaining bracket (shaded part in illustration at right). Slide out the core with its filters.

## ⚠ WARNING

If the unit is installed in or under the ceiling, always hold the core when rotating the core retaining bracket; failure to do so will cause the core to fall out.

4. Wash both core filters under lukewarm water with mild soap. Rinse and let dry completely before reinstalling on the core. Refer to the core label for proper location.
5. Slide the core with its cleaned filters in the unit. Refer to filter location indicators embossed inside the unit to position adequately the core. Use the core bracket and wing nut to lock the core in place.
6. Reinstall and close the door, then restore power.



## 5 Maintenance (cont'd)

### 5.2 Annual Maintenance

Perform steps 1 to 5 of the quarterly maintenance, then continue with the following:

- Using a vacuum cleaner and a soft brush attachment, remove the dust on the recovery core, the sensor and damper (damper must open freely).

#### CAUTION

**Do not soak the recovery core in water! The core can easily be damaged especially if it is soaked. The sensor can be damaged by detergent. Only use a dry cloth to clean the sensor.**

- Slide the cleaned core with its cleaned filters in the unit. Refer to filter location indicators embossed inside the unit to position adequately the core. Use the core bracket and wing nut to lock the core in place.
- Reinstall and close the door, then restore power.
- Clean the exterior hoods.

## 6 Warranty

This Broan unit is a high quality product, built and packaged with care. Broan warrants to the original purchaser of its product, that such products will be free from defects for the period stated below, from date of original purchase.

For all Broan units, the warranty covers parts only against any operational defect. This is a 5-year warranty.

Subject to perform the core maintenance according to user guide recommendations, the energy recovery core (ERV) has a 5-year warranty.

If any defect should occur, we urge you to read the user guide carefully. If the problem persists, observe the following rules:

#### RULES TO FOLLOW

If the unit is defective, contact your ventilation contractor (see address on cover page).

The contractor will determine with you the reason for the defect, and if needed, do the replacement or repair.

If ever it is impossible to reach your ventilation contractor, call 1-800-558-1711 (in North America); the personnel will be pleased to give you the phone number of a distributor or a service center near you.

#### REPLACEMENT PARTS AND REPAIR

In order to ensure your ventilation unit remains in good working condition, you must use Broan genuine replacement parts only.

Broan genuine replacement parts are specially designed for each unit and are manufactured to comply with all the applicable certification standards and maintain a high standard of safety. Any third party replacement part used may cause serious damage and drastically reduce the performance level of your unit, which will result in premature failing. Broan also recommends to contact a Broan certified service depot for all replacement parts and repair.

#### BILL OF PURCHASE

No replacement or repair covered by the warranty will be carried out unless the unit is accompanied by a copy of the original bill of purchase. Please retain your original.

#### MISCELLANEOUS COSTS

In each case, the labor costs for the removal of a defective part and/or installation of a compliant part will not be covered by Broan.

#### CONDITIONS AND LIMITATIONS

This unit is created for residential use only and must be used in a building as defined below:

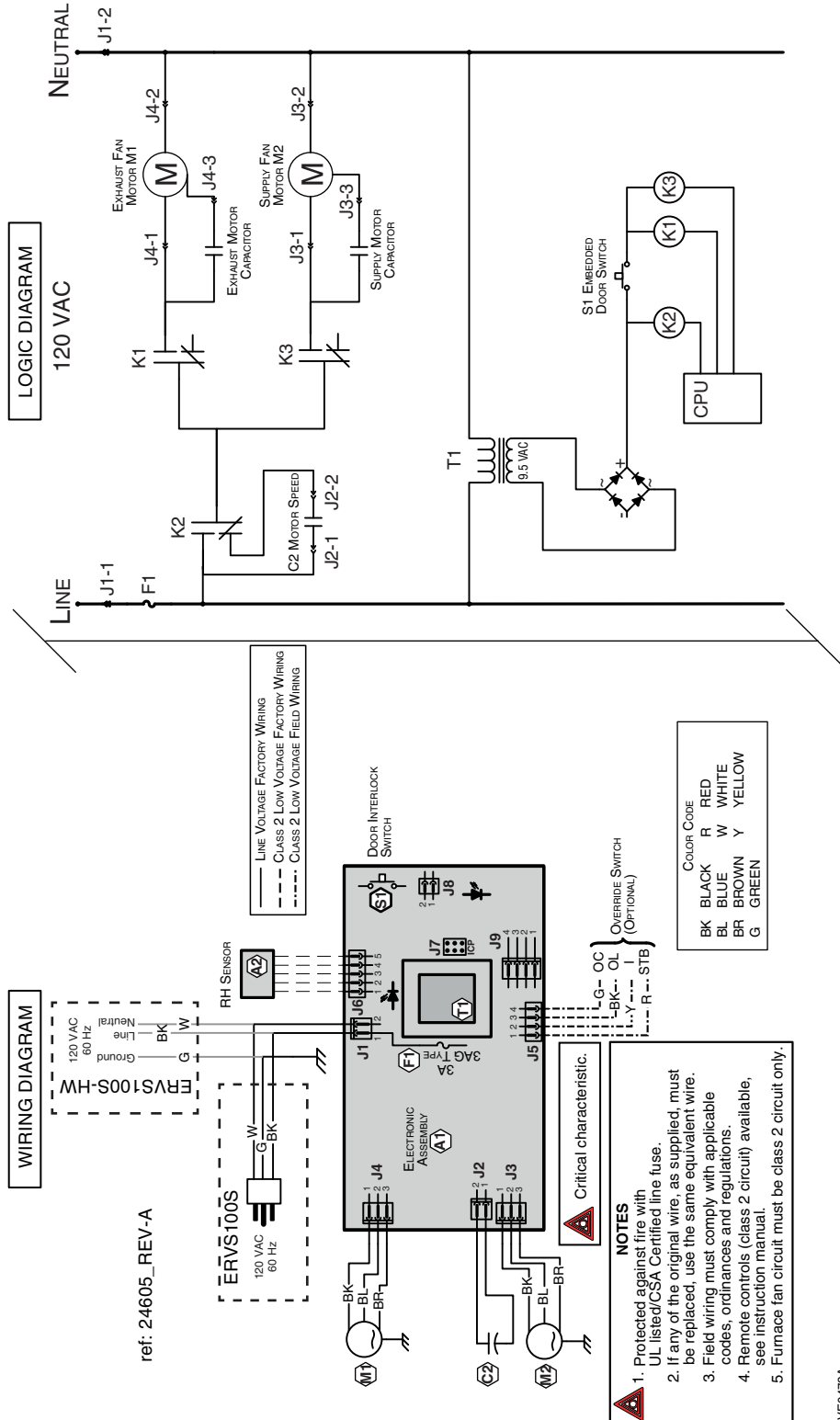
- Building: All structures zoned and/or erected for the act, process or art of human or animal habitation and/or the storage or warehousing of goods.
- Residential use: Dwelling, lodging, suite: Building, or part of a building, intended to act as either the domicile to one or several people which can include general sanitary, food consumption and rest facilities. Buildings of only one room or a group of rooms including those occupied by a tenant or owner; comprise the lodgings, the individual rooms of the motels, hotels, rooming/lodging houses, boarding/half-way/foster homes, dormitories, and suites, as well as the stores and the business establishments constituted by only one room in a dwelling.
- Commercial use: Agricultural establishment, commercial establishment for assembly, care, or detention: Building or part of a building that does not contain a dwelling, situated on land dedicated to agriculture or farming and used primarily to shelter animals, or for the production, the storage or the treatment of agricultural or horticultural products or animal food. Building or part of a building, used for the display or retail of goods, professional or personal services, or commodities. Building, or part of a building used by persons gathering for civic activities, religious or political assembly, tourism, educational/vocational training, recreation or the consumption of food or drink. Building, or part of a building used to shelter persons of impaired physical or psychological states, persons requiring palliative care or medical treatments, or persons for reasons out of their control, cannot escape harm or threat of danger autonomously.
- Industrial use: Building, or part of a building, used for the assembly, the manufacture, the creation, the treatment, the repair or the storage of products and combustible materials and that contain fuels that when ignited or exploded in sufficient quantity may constitute a risk of fire.

The above warranty applies to all cases where the damage is not a result of poor installation, improper use, mistreatment or negligence, acts of God, or any other circumstances beyond the control of Broan. Furthermore, Broan will not be held responsible for any bodily injury or damage to personal property or real estate, whether caused directly or indirectly by the Broan unit. This warranty supersedes all prior warranties.

# 7 Wiring Diagram

## ⚠ WARNING

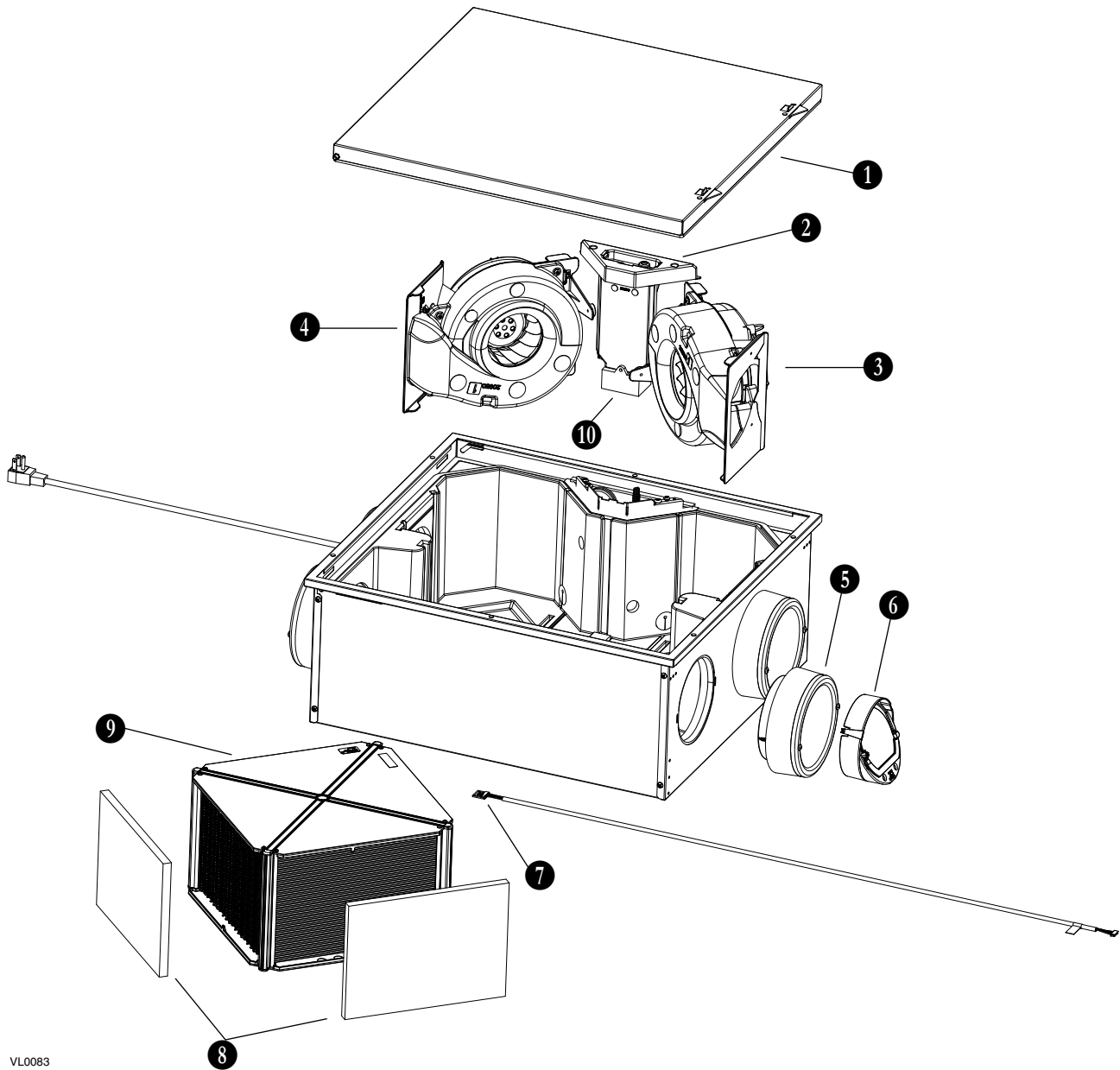
- Risk of electric shocks. Before performing any maintenance or servicing, always turn power off at service panel or disconnect the unit from its power source.
- This product is equipped with an overload protection (fuse). A blown fuse indicates an overload or a short-circuit situation. If the fuse blows, unplug the product from the outlet or, if hard-wired, turn off power at service panel. Discontinue using the unit and contact technical support.



VE0-72A



## 8 Service Parts



VL0083

### REPLACEMENT PARTS AND REPAIR

In order to ensure your ventilation unit remains in good working condition, you must use Broan-NuTone LLC genuine replacement parts only. The Broan-NuTone LLC genuine replacement parts are specially designed for each unit and are manufactured to comply with all the applicable certification standards and maintain a high standard of safety. Any third party replacement part used may cause serious damage and drastically reduce the performance level of your unit, which will result in premature failing. Also, Broan-NuTone LLC recommends to contact a Broan-NuTone LLC certified service depot for all replacement parts and repairs.

No.	DESCRIPTION	PART No.	QTY.
1	DOOR	SV66548	1
2	PCB AND SWITCH SPRING (PLASTIC HOLDER NOT INCLUDED)	SV62721	1
3	BLOWER KIT CE	SV62724	1
4	BLOWER KIT WS	SV62723	1
5	6" ISOLATED METAL PORT KIT	SV62718	4
6	DAMPER SYSTEM KIT	SV62717	1
7	RH-TEMP SENSOR	SV62719	1
8	FILTER KIT (2)	SV21029	1
	OPTIONAL MERV 8 FILTERS (2)	V21030	1
9	ERV CORE	SV61223	1
10	LOW SPEED CAPACITOR 18 $\mu$ F	SV62722	1
*	CORE LOCKING DEVICE KIT	SV61237	1
*	HARDWARE KIT	SV22079	1

\* NOT SHOWN.

# 9 Troubleshooting

## ⚠ WARNING

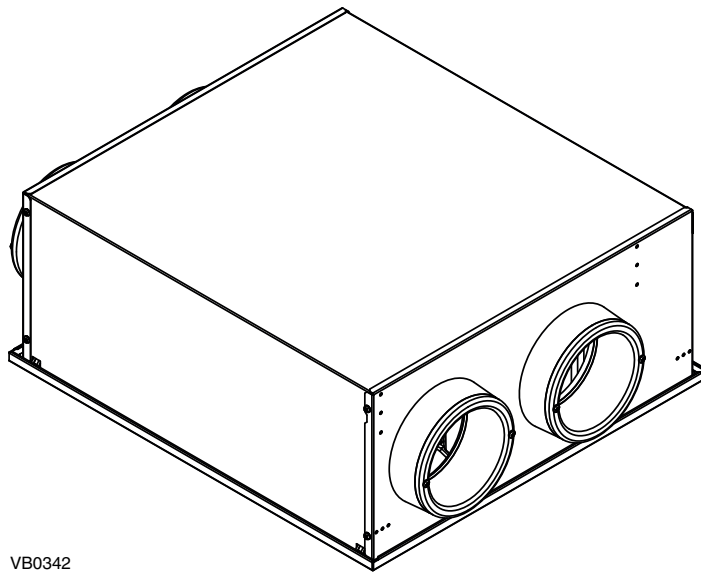
**Risk of electric shocks. Electronic board connections must be checked by qualified personnel only.**

If the unit does not work properly, reset the unit by removing power at service panel or unplugging it for one minute and then restore power at service panel or replug the unit. If it still not working properly, refer to table below.

	PROBLEMS	POSSIBLE CAUSES	YOU SHOULD TRY THIS
1	Unit does not start.	<ul style="list-style-type: none"> <li>No power to power outlet or to wires on power cable.</li> <li>Unit door not properly closed.</li> <li>PCB plastic holder tabs unclipped.</li> </ul>	<ul style="list-style-type: none"> <li>Check the breaker in the distribution panel.</li> <li>ERVS100S only: Test the power outlet with another electrical device (e.g.: a lamp). If it does not work, call an electrician.</li> <li>ERVS100S-HW only: Use a voltmeter to check power cable wires. If there is no voltage detected, call an electrician.</li> <li>Ensure the unit door is properly closed.</li> <li>Ensure the PCB plastic holder tabs are engaged in their slots and the PCB is well seated on its holder.</li> </ul>
2	LED blinks rapidly on push button and unit (motor error).	<ul style="list-style-type: none"> <li>Motor harness damaged or misconnected.</li> <li>Defective PCB, motor assembly or low speed capacitor.</li> </ul>	<ul style="list-style-type: none"> <li>Check both motor harness connections, ensure that connectors are connected to their appropriate places, the wires are not damaged and connector pins are not corroded.</li> <li>Open the door and push on door switch spring to reset the error and activate the unit self test during booting sequence. Both motors must start in high speed for 10 seconds, then go on low speed for 10 seconds. If both motors do not go on high speed; replace the PCB.</li> <li>If one motor does not start on high speed, inverse both motors connection and start again the self test; if the motor still not start on high speed, replace the motor assembly and if the problem is now on the other motor, replace the PCB.</li> <li>If both motors run in high but not in low speed, replace the low speed capacitor. If only one motor runs in low speed, replace the defective motor assembly.</li> </ul>
3	LED blinks slowly on push button and unit (RH and temperature sensor error).	<ul style="list-style-type: none"> <li>RH and temperature sensor misconnected.</li> <li>Defective RH and temperature sensor.</li> </ul>	<ul style="list-style-type: none"> <li>Check the sensor harness connection, ensure that connector is connected to its appropriate place, the wires are not damaged and connector pins are not corroded.</li> <li>Open the door and push on door switch spring to reset the error and activate the unit self test during booting sequence. Both motors must start in high speed for 10 seconds, then go on low speed for 10 seconds. After that, the unit will test its temperature and RH sensor. If the LED is still blinking slowly, replace the defective RH and temperature sensor</li> </ul>
4	The wall control does not work.	<ul style="list-style-type: none"> <li>Unit not compatible with control.</li> <li>The wires may be in reverse position.</li> <li>The wires may be misconnected.</li> <li>The wires may be broken.</li> <li>Defective wall control.</li> </ul>	<ul style="list-style-type: none"> <li>Check table on page 2 for control compatibility.</li> <li>Ensure that the color coded wires have been connected to their appropriate places.</li> <li>Ensure the wires are correctly connected.</li> <li>Inspect every wire and replace any damaged ones. If wires are hidden into walls, test the control using a shorter wire.</li> <li>Replace the wall control.</li> </ul>
5	Unit lets too much moisture entering the building during ventilation.	<ul style="list-style-type: none"> <li>Unit backdraft damper malfunction.</li> <li>Wrong setting of RH limit.</li> </ul>	<ul style="list-style-type: none"> <li>Check if the unit backdraft damper is closed when the unit is off, if not, verify the orientation of the damper assembly ("TOP" engraving on damper support must be on top), verify if magnet is in place in the damper support, verify if metal clip is in place on damper. Damper must open freely.</li> <li>Verify RH limit adjustment (factory setting is "N" for South and humid climate), adjust the RH limit to "-" position to reduce humidity limit of ventilation. Ventilation speed can be reduced by changing mode allowing less moisture to enter the building.</li> </ul>
6	Unit stops ventilating too often.	<ul style="list-style-type: none"> <li>Wrong setting of RH limit.</li> </ul>	<ul style="list-style-type: none"> <li>Verify RH limit adjustment (factory setting is "N" for South and humid climate), adjust the RH limit to "+" position to increase humidity limit of ventilation (allowing more ventilation time), or set the RH limit to "OFF" position to deactivate the sensor.</li> </ul>



## MANUAL DE INSTALACIÓN Y DEL USUARIO PARA BROAN ERVS100 Y ERVS100S-HW



VB0342

**⚠ SÓLO PARA USO RESIDENCIAL ⚠**

**LEA Y CONSERVE ESTAS INSTRUCCIONES  
INSTALADOR: ENTREGUE ESTE MANUAL AL CLIENTE**

Broan-NuTone LLC, 926 west State Street, Hartford, Wisconsin, USA 800-558-1711 broan-nutone.com

REGISTRE SU PRODUCTO EN LÍNEA EN: [www.broan-nutone.com/register](http://www.broan-nutone.com/register)

Para obtener más información, visitar nuestro sitio [www.broan-nutone.com](http://www.broan-nutone.com)

# OBSERVACIONES SOBRE ESTE MANUAL

Con el fin de hacer hincapié en determinada información, en este manual se emplean los siguientes símbolos:

## ⚠ ADVERTENCIA

Se refiere a una instrucción que, de no seguirse, podría causar daños corporales e incluso la muerte.

## PRECAUCIÓN

Se refiere a una instrucción que, de no seguirse, podría dañar gravemente el aparato o sus componentes.

NOTA: indica una información complementaria que es necesaria para completar totalmente una instrucción.

# OBSERVACIONES SOBRE ESTOS APARATOS

## LÍMITES

Sólo para instalaciones residenciales. El trabajo de instalación y el cableado eléctrico han de ser efectuados por personal cualificado conforme a todos los códigos y normas aplicables, incluso los relativos a lugares con alto riesgo de incendio.

## ⚠ ADVERTENCIA

**PARA REDUCIR EL RIESGO DE INCENDIO, CHOQUE ELÉCTRICO O HERIDAS CORPORALES, SIGA LAS INDICACIONES SIGUIENTES:**

1. Utilice el aparato únicamente de la manera prevista por el fabricante. Si tiene preguntas, póngase en contacto con el fabricante en la dirección o en el teléfono que aparecen en la garantía.
2. Antes de realizar tareas de mantenimiento o de limpiar el aparato desenchufe el cable de alimentación de la toma eléctrica o apáguelo en el tablero de servicio.
3. Este aparato no ha sido pensado para la combustión ni para el aire de dilución de aparatos que queman combustible.
4. Al cortar o taladrar en la pared o en el techo, procure no dañar el cableado eléctrico ni otras instalaciones ocultas.
5. No use el aparato con un dispositivo de control de velocidad de semiconductores diferente de los que aparecen en el cuadro siguiente:

CONTROLES AUXILIARES ALIMENTADOS POR LA UNIDAD
TEMPORIZADOR DE ENCENDIDO DURANTE 20 MINUTOS VB20W DE BROAN
INTERRUPTOR ESTÁNDAR DE ESPERA DE CONTACTO SECO

6. El aparato debe conectarse a tierra. **Sólo para el aparato ERVS100S:** El cable de alimentación lleva un enchufe con toma de tierra de 3 patillas para su seguridad personal. Debe enchufarse en una toma de corriente para tres patillas, conectada a tierra de acuerdo con el código eléctrico nacional y los códigos y ordenanzas locales. No retire la patilla de la toma de tierra. No utilice el aparato con un cable prolongador.
7. No instale el aparato en un espacio donde se cocina ni lo conecte directamente a otro aparato.
8. No lo use para evacuar materias ni vapores peligrosos o explosivos.
9. Esta unidad debe ser protegida contra la intemperie.
10. Para la instalación, el mantenimiento o la limpieza del aparato se aconseja llevar lentes y guantes de seguridad.
11. Cuando la reglamentación local aplicable sea más restrictiva en materia de instalación o certificación, dicha reglamentación prevalecerá sobre las exigencias de este manual y el instalador acepta atenerse a dicha reglamentación y asumir los gastos correspondientes.

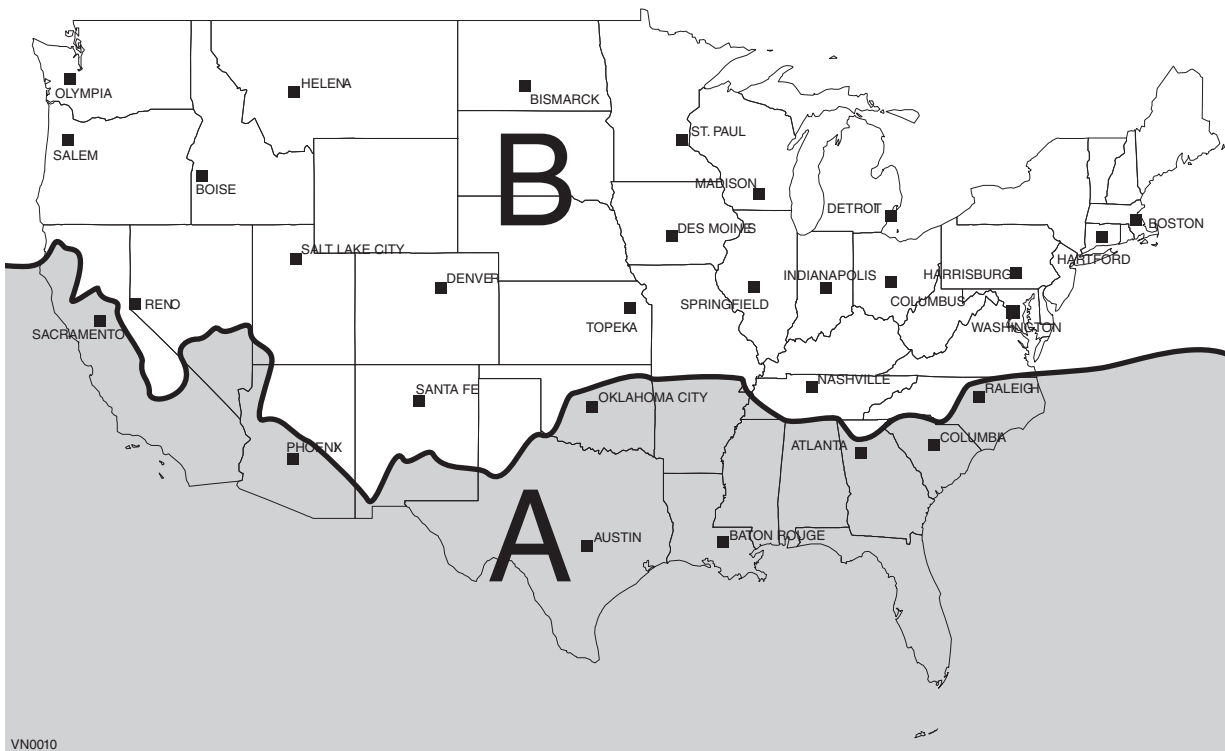
## PRECAUCIÓN

1. No use el aparato durante la construcción o renovación de su casa o cuando se lije paredes de yeso. Ciertos tipos de polvo y vapores pueden dañar su sistema.
2. Para mayor información sobre otras exigencias, lea la etiqueta de especificaciones que viene en el aparato.
3. Asegúrese de sacar el aire al exterior. No introduzca ni evacue el aire en espacios situados entre paredes, en el techo o en un desván, en sótanos pequeños ni en cocheras. No intente recuperar el aire de salida de una secadora o de una campana.
4. Aparato para instalación residencial únicamente, de acuerdo con las exigencias de la norma 90B de la NFPA (para un aparato instalado en EE.UU.).
5. No pase ningún conducto de aire por encima o a menos de 2 pies de una caldera o de su cámara de alimentación, de un calentador o de otro aparato que genere calor.
6. La instalación de los conductos debe hacerse de conformidad con todos los códigos locales y nacionales aplicables.
7. Al ausentarse de la vivienda durante un periodo largo (más de dos semanas), una persona responsable debería verificar regularmente si el aparato funciona correctamente.
8. Si los conductos pasan a través de un espacio no acondicionado (como un desván), el aparato debe funcionar constantemente, excepto cuando haya que hacer tareas de mantenimiento o reparaciones. Asimismo, la temperatura ambiente de la casa nunca debería bajar de 65°F.
9. Las piezas mecánicas y electrónicas del aparato deberían ser examinadas por personal de servicio cualificado al menos una vez al año.
10. Asegúrese en todo momento de que la admisión exterior de aire y las bocas de aire viciado estén libres de nieve durante el invierno. Es importante comprobar que, durante una gran tormenta de nieve, el aparato no introduzca nieve. Si fuera el caso, por favor, apague el aparato durante unas horas.
11. Dado que el sistema de control electrónico del aparato utiliza un microprocesador, es posible que no funcione correctamente debido a los ruidos externos o a fallas de alimentación muy cortas. Si esto ocurre, desenchufe el aparato y espere aproximadamente 10 segundos. A continuación, enchufe de nuevo el aparato (o restablecer el encendido en el panel de servicio).
12. No debería hacer uso excesivo de aparatos de fragancia o de químicos porque pueden dañar el material de los componentes del aparato.
13. Para una instalación en una cochera, asegúrese de que la puerta del aparato siempre sea cerrada, excepto durante mantenimiento asistido, para reducir las probabilidades que humos de escape estén introducidos en la vivienda.

# ÍNDICE

1 Zona de instalación segura.....	3
2 Preparación de la unidad .....	4
2.1 Elección de una ubicación adecuada para el aparato.....	4
2.2 Tipo de conexión eléctrica (conectado con cable de alimentación o conectado con cableado local) .....	4
3 Instalación .....	4-12
3.1 Colocación de la unidad.....	4-6
3.2 Combinación con una AHU .....	7
3.3 Instalación de los registros, conductos y bocas exteriores.....	8-9
3.4 Instalación de un conjunto de cambio de sección Tandem®* .....	9
3.5 Conexión de los controles.....	10
3.6 Conectar el cableado local (aparato ERVS100S-HW solamente) .....	11-12
4 Puesta en marcha de la unidad .....	13
4.1 Parámetros de la unidad.....	13
4.2 Preparación de la unidad.....	13
4.3 Secuencia de inicio .....	13
5 Mantenimiento .....	14-15
5.1 Mantenimiento trimestral .....	14
5.2 Mantenimiento anual.....	15
6 Garantía.....	15
7 Diagrama de cableados .....	16
8 Piezas de repuesto .....	17
9 Solución de problemas.....	18
<b>1 Zona de instalación segura</b>	

Los requisitos de instalación varían en las zonas A y B que se muestran en el mapa de abajo, ver las secciones 3.1 a 3.3.2 para obtener detalles específicos y avisos por cada tipo de instalación.



VN0010

## 2 Preparación de la unidad

- Examine el exterior de la unidad para ver si hay daños debidos al envío.
- La unidad no debería funcionar nunca cuando el edificio esté en construcción.
- La unidad se envía con la puerta cubierta con un cartón para protegerla durante la construcción. Deje el cartón hasta que acaben los trabajos de pintura.

### 2.1 Elección de una ubicación adecuada para el aparato:

- En una zona de la vivienda donde la temperatura ambiente se mantenga entre 50°F y 135°F;
- Lejos de las zonas de estar (comedor, sala de estar, dormitorio), de ser posible para reducir el nivel de ruido;
- De forma que sea fácil acceder al interior del armario para las tareas de mantenimiento;
- Cerca de una pared exterior para limitar la longitud del conducto flexible aislado que sale del aparato o llega a él;
- Lejos de chimeneas calientes, tableros eléctricos y otros lugares que presenten peligro de fuego;
- Dentro de 28 pulg. de una fuente de alimentación (toma de corriente estándar).

### 2.2 Tipo de conexión eléctrica (conectado con cable de alimentación o conectado con cableado local)

- Conforme a sus necesidades y a los códigos aplicables, asegúrese de usar el modelo apropiado (ERVS100S: aparato conectado con cable de alimentación y ERVS100S-HW: aparato conectado con cableado local).

## 3 Instalación

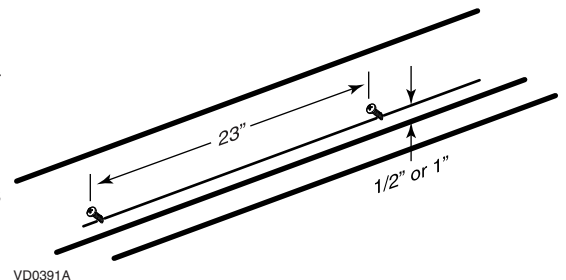
Se debe instalar el aparato en orientación horizontal como se muestra en la sección 3.1.

### 3.1 Colocación de la unidad

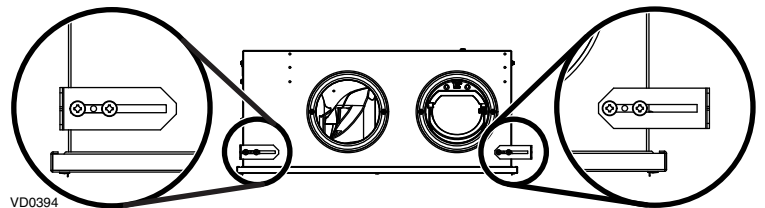
- La unidad puede instalarse entre vigas separadas por 24", sobre vigas separadas por 24" en posición inversa o bajo el techo, mediante soportes. Entre las piezas provistas hay un juego de 4 soportes así como los tornillos necesarios.
- Si está conectado con un cable de alimentación (sólo para el aparato ERVS100S, debe haber una toma eléctrica estándar de 3 patillas a menos de 28" de la unidad y debe conectarse a un circuito eléctrico de 15 amp. Se recomienda marcar el circuito para identificar este sistema como el Sistema de Aire Fresco.
- Prevea un espacio libre de 12" para poder retirar la puerta, el núcleo y los filtros con fines de mantenimiento.

#### 3.1.1 Instalación en el techo (entre vigas separadas por 24")

1. Trace una línea a nivel en ambas vigas, a 1/2" o 1" de la base, para ubicar los soportes de la unidad (con 1/2", el perímetro de la puerta de la unidad descansará en el material del techo, mientras que con 1" se obtendrá una instalación a nivel; véanse las imágenes **A** y **B** en la página siguiente). En una de las vigas atornille a mitad, sobre la línea de nivel, dos tornillos n.º 8 x 1 1/2" provistos, dejando un espacio de 23" entre ellos.

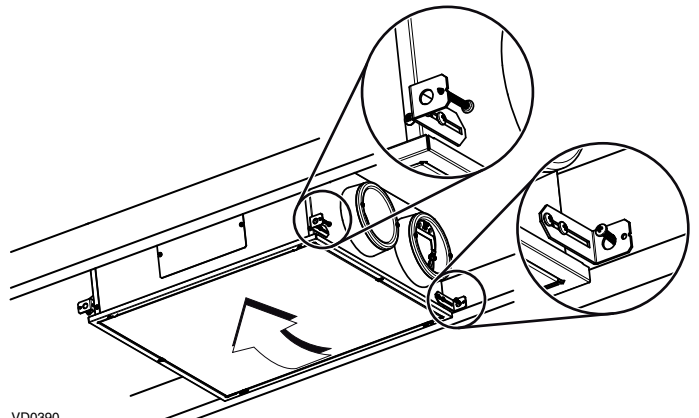


2. Coloque los 4 soportes en la unidad, como puede verse en la ilustración de la derecha; utilice para ello dos tornillos n.º 10 x 5/8" por soporte (provistos). CONSEJO: Atornille a mitad los tornillos para permitir ajustes entre las vigas; observe los detalles de la imagen de la derecha: la de la izquierda muestra la distancia mínima y la de la derecha la distancia máxima.



3. Cuelgue el lado más ligero de la unidad en los tornillos instalados en la viga utilizando los orificios más grandes de los soportes.

4. Levante el otro lado de la unidad y sujételo a la otra viga con un tornillo n.º 8 x 1 1/2" por soporte, introduciéndolo en el orificio más pequeño de los soportes.

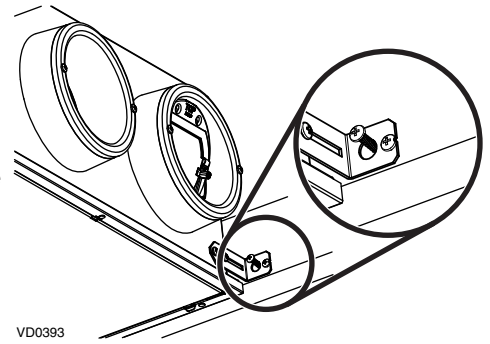


# 3 Instalación (cont.)

## 3.1 Colocación de la unidad (cont.)

### 3.1.1 Instalación en el techo (entre vigas separadas por 24") (cont.)

5. Sujete los primeros soportes instalados en la viga con un tornillo n.º 8 x 1½" por soporte, introduciéndolo por el orificio más pequeño y apriete completamente los tornillos de los soportes en la unidad.

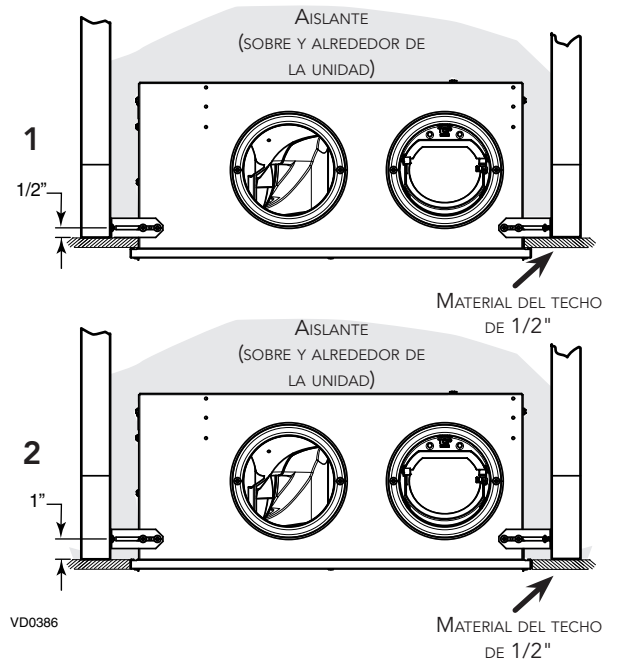


#### ZONA A

#### PRECAUCIÓN

Si la unidad se instala en el techo en el desván en la zona A, debe extenderse aislante sobre ella. La temperatura ambiente donde se instala la unidad debe mantenerse entre 50°F y 135°F.

6. Extienda el aislante sobre la unidad y alrededor.

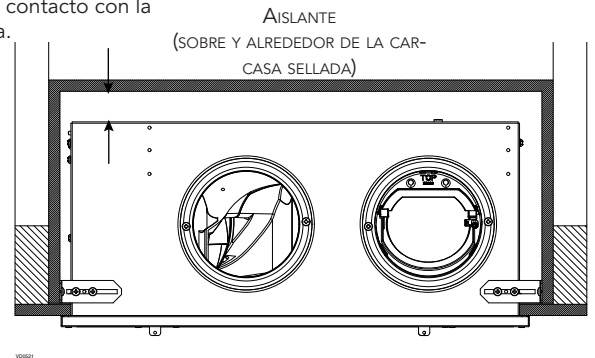


Se necesita un espacio libre de aprox. 1" sobre la unidad para garantizar que la unidad no entre en contacto con la carcasa.

#### ZONA B

#### PRECAUCIÓN

Cuando se instala en el techo en un espacio acondicionado (p.ej. un desván), sobre la unidad en zona B, una carcasa sellada debe instalarse sobre y alrededor de la unidad para evitar fugas de aire, condensación y riesgos de crecimiento de hongos. Aislante debe extenderse sobre y alrededor de la carcasa. Los conductos deben pasar a través de la carcasa sellada y deben sellarse a la carcasa.



EL MARCO DE LA PUERTA PUEDE MONTARSE ENRASADO CON EL MATERIAL DEL TECHO COMO SE MUESTRA EN LA OPCIÓN 2 ARRIBA.

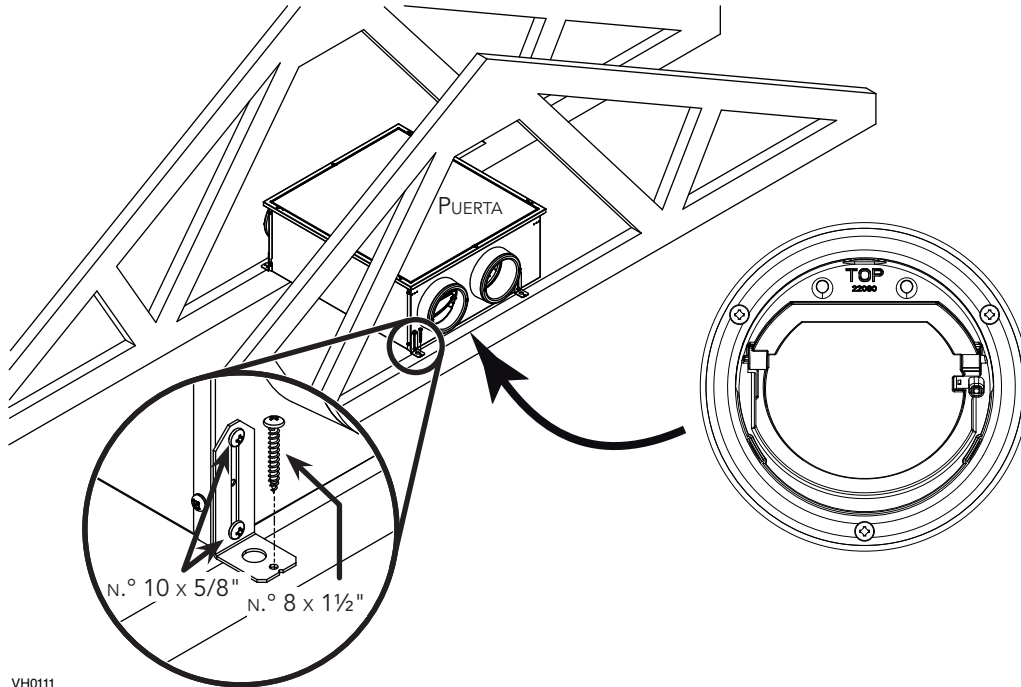
7. Extienda el aislante sobre la carcasa sellada y alrededor.

# 3 Instalación (cont.)

## 3.1 Colocación de la unidad (cont.)

### 3.1.2 Zona A solamente - Instalación en el desván sobre el aislante (unidad con la puerta en la parte superior)

1. Gire la clapeta de retención 180° (no se necesita herramienta) de forma que se ponga en posición cerrada y la palabra "TOP" gravada en la clapeta esté arriba una vez que la unidad esté colocada.
2. Coloque los soportes en la unidad, como puede verse en la ilustración de abajo; utilice para ello dos tornillos n.º 10 x 5/8" por soporte (provistos).
3. Sujete la unidad a los soportes por medio de un tornillo no 8 x 1½" por soporte (provisto).
4. **IMPORTANTE:** En un desván no ventilado sin laminado de barrera radiante, material aislante debe añadirse sobre la unidad y alrededor para evitar exceso de calor en la unidad, Asegurese que el acceso esté mantenido para el mantenimiento del producto.

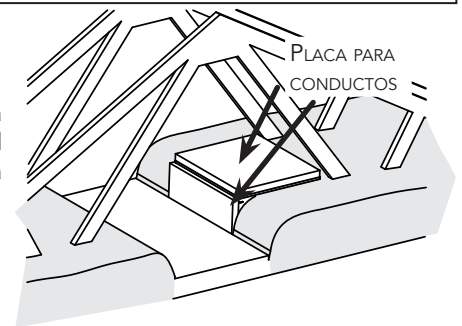


VH0111

### PRECAUCIÓN

La temperatura ambiente donde se instala la unidad debe mantenerse entre 50°F y 135°F. Debe añadirse aislante sobre la unidad si la temperatura en el desván supera este límite en verano para proteger componentes electrónicos de una exposición a altas temperaturas.

Extienda el aislante alrededor de la unidad, después utilice una placa aislada para conductos de aire para cubrir la puerta de la unidad, para conservar el acceso al interior de la unidad. No olvide prever un espacio libre de 12" para poder retirar la puerta, el núcleo y los filtros con fines de mantenimiento.



VH0116

CLÓSET PROFUNDO DE 24"

### 3.1.3 Instalación debajo del techo (en un espacio acondicionado)

1. Coloque los soportes en la unidad, como puede verse en la ilustración de arriba; utilice para ello dos tornillos n.º 10 x 5/8" por soporte (provistos).
2. Sujete la unidad al techo con dos tornillos n.º 8 x 1½" por soporte (provistos), procurando no sujetarla sólo al panel mural.



VD0385



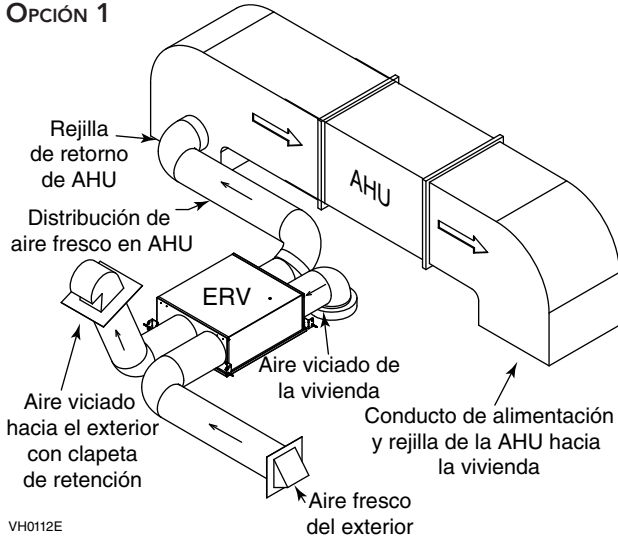
# 3 Instalación (cont.)

## 3.2 Combinación con una AHU

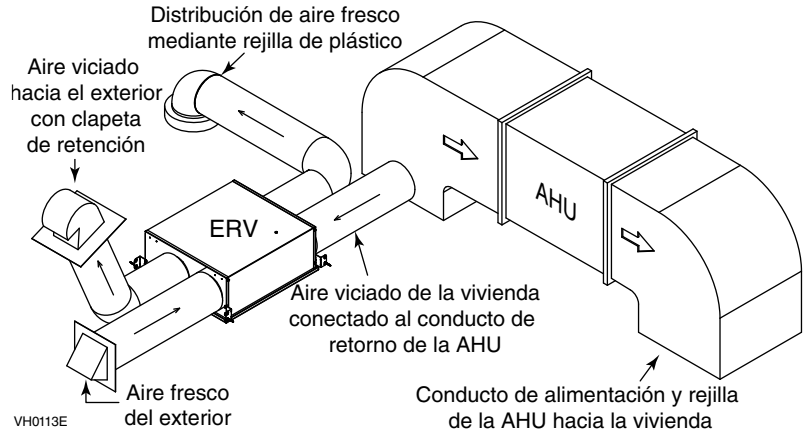
### 3.2.1 Configuraciones aconsejadas

Cuando la distribución del aire fresco desde el ventilador de recuperación de energía (ERV, en sus siglas en inglés) esté conectada al retorno de una unidad del armario de tratamiento de aire (AHU, en sus siglas en inglés) (como en la imagen de abajo a la izquierda), la conexión debería hacerse **lo más cerca posible de una rejilla de retorno de AHU** para que la clapeta de aire fresco integrada funcione debidamente.

OPCIÓN 1



OPCIÓN 2



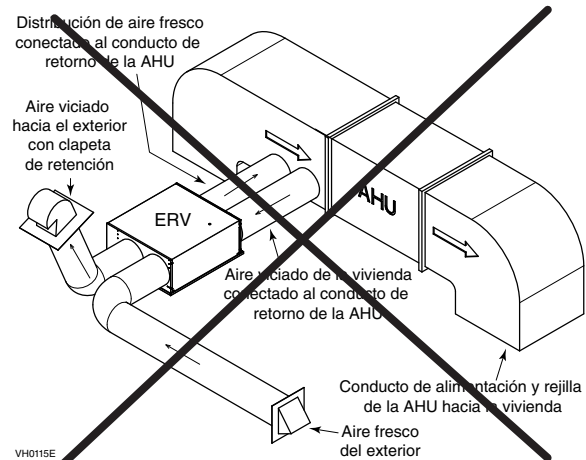
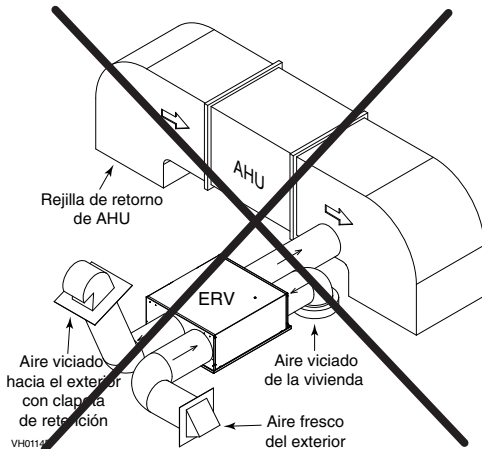
VH0112E

VH0113E

### 3.2.2 Configuraciones prohibidas

La distribución de aire fresco del ERV en el conducto de distribución del AHU (como en la imagen de abajo a la izquierda) puede causar problemas de condensación durante la estación fría y debe evitarse.

La distribución de aire fresco y la salida del aire viciado del ERV conectado en el conducto de retorno del AHU (como en la imagen de abajo a la derecha) es prohibida.



VH0114E

VH0115E

## 3 Instalación (cont.)

### 3.3 Instalación de los registros, conductos y bocas exteriores

#### 3.3.1 Registros

#### ⚠ ADVERTENCIA

No instale nunca un registro de salida de aire viciado en una habitación cerrada en la que funciona un dispositivo de combustión, tal como una caldera de gas, un calentador de agua a base de gas o una chimenea.

Consulte los códigos de construcción aplicables para planificar dónde debería instalar los registros de salida de aire viciado y los registros de distribución de aire fresco. A continuación se presentan algunos consejos generales.

#### Registros de salida de aire viciado:

- Instale los registros de salida de aire viciado donde se produzcan contaminantes: cuarto de baño (hasta 2), cocina, sala de estar, etc. Coloque los registros lo más lejos posible de la escalera y de forma que el aire circule en todos los espacios de estar de la vivienda.
- Si se instala un registro en la cocina, debe colocarse al menos a 4 pies de distancia de los electrodomésticos para cocinar.
- Instale los registros en una pared interior, de 6 a 12 pulgadas por debajo del techo Q en el techo.

#### Registros de distribución de aire fresco (Opción 2 en 3.2.1):

- Instale los registros de distribución de aire fresco en cuartos de baño, comedores, salas de estar y sótano, si procede.
- Recuerde que los registros de aire fresco deben colocarse lo más lejos posible de los registros de aire viciado del ERV.
- Instale los registros en una pared interior, de 6 a 12 pulgadas por debajo del techo Q en el techo.
- Si hay que instalar un registro en el suelo, dirija la corriente de aire hacia la parte superior de la pared.

#### 3.3.2 Conductos

#### ⚠ ADVERTENCIA

Para conectar los conductos, emplee siempre herramientas y materiales aprobados. Cumpla con todas las leyes y normativa de seguridad correspondientes. Consulte el código de construcción local.

#### PRECAUCIÓN

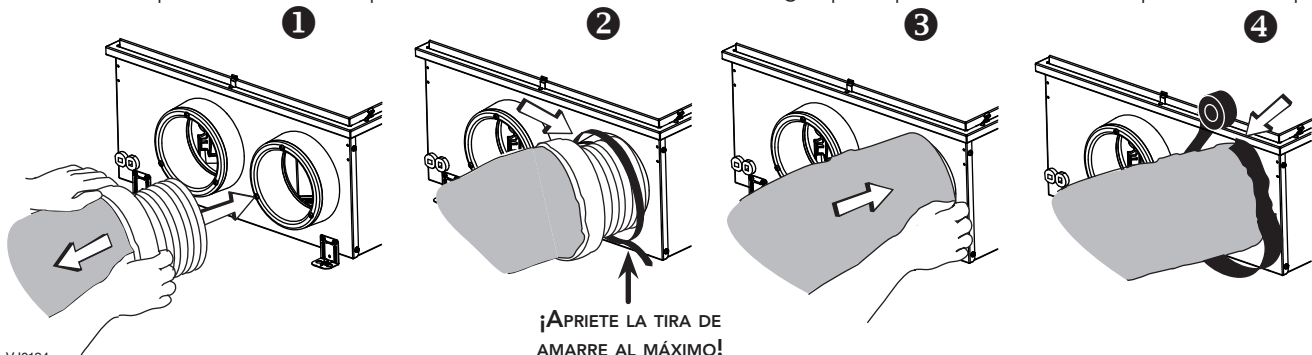
Si los conductos han de pasar a través de un espacio no acondicionado (p. ej., un desván), use siempre conductos aislados para evitar la formación de condensación fuera o dentro del conducto, lo que podría provocar roturas de material y/o la aparición de moho. Además, en zona B, si aire fresco hacia el edificio y/o aire viciado del edificio ha/han de pasar a través de un espacio no acondicionado, los conductos deben enterrarse con un aislamiento mínimo R20 para evitar una reducción del rendimiento de recuperación de calor y la refrigeración del aire distribuido en las zonas de estancia en invierno. Además, el aparato debe ser ajustado para funcionar de manera continua cuando hace frío (debajo de 50°F) si los conductos han de pasar a través de un espacio no acondicionado en zonas A y B. El movimiento continuo de aire dentro de los conductos prevendrá que se forme condensación. Se puede detener el aparato temporalmente para fines de reparación y/o de mantenimiento en tales condiciones.

- Se deberían conectar todos los puertos de la unidad a conductos de 6", pero también se pueden conectar a conductos mayores utilizando para ello los cambios de sección apropiados.
- Si hay que conectar conductos rígidos a la unidad, use un trozo corto de conducto flexible (unas 6") para evitar que se transmitan vibraciones. Use una tira de amarre o cinta adhesiva para conectar el conducto flexible al puerto y al conducto rígido.
- No use nunca tornillos para conectar conductos rígidos a los puertos.

#### Conexión de conductos flexibles aislados a los puertos:

1. Retire el aislante para que quede a la vista el conducto flexible.
2. Sujete el conducto flexible al puerto con una tira de amarre; verifique que la tira de amarre esté apretada al máximo.
3. Coloque el aislante sobre la junta y la película impermeable al vapor (parte sombreada de las ilustraciones) sobre el aislante. Procure que la película impermeable al vapor no se rasgue al manipularla para evitar la condensación dentro de los conductos.
4. Ponga cinta adhesiva metálica para conductos sobre la junta para lograr un cierre hermético. Evite comprimir el aislante al colocar la cinta adhesiva metálica alrededor de la junta. El aislante comprimido pierde su valor R y produce goteo de agua en climas fríos debido a la condensación en la superficie exterior del conducto.

NOTA: Si hay que usar masilla de impermeabilización sobre la cinta adhesiva metálica para conductos como capa de impermeabilización suplementaria, utilice masilla a base de agua para que el material sea compatible con el puerto.



## 3 Instalación (cont.)

### 3.3 Instalación de los registros, conductos y bocas exteriores (cont.)

#### 3.3.3 Bocas exteriores

Consulte los códigos de construcción aplicables para planificar dónde debería instalar la boca de salida de aire viciado y la boca de distribución de aire fresco. A continuación se presentan algunos consejos generales.

#### ⚠ ADVERTENCIA

Compruebe que la boca de admisión de aire esté al menos a 6 pies de distancia de cualquiera de los siguientes elementos:

- Salida de aire de una secadora, abertura de caldera de alto rendimiento, abertura de aspirador central
- Abertura de contador de gas, parrilla o barbacoa de gas
- Cualquier abertura de una fuente de combustión
- Cubo de basura u otra fuente de contaminación

- Debe haber una distancia mínima de 10' entre las bocas exteriores para evitar la contaminación cruzada.
- Las bocas exteriores deben estar al menos a 18" por encima de suelo.
- La boca de salida de aire debe disponer de una clapeta de retención.

### 3.4 Instalación de un conjunto de cambio de sección Tandem®\*

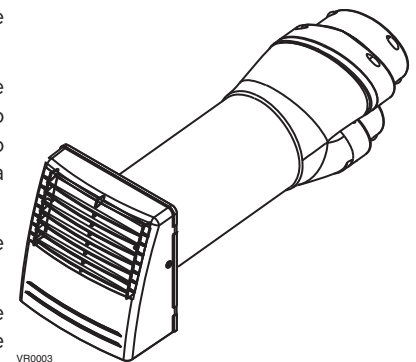
#### PRECAUCIÓN

Si se utiliza un cambio de sección Tandem, debe instalarse una compuerta de contracorriente en el conducto que lleva el aire viciado al exterior. Si esto causa una interrupción en el aislamiento del conducto, debe añadirse aislamiento alrededor de la compuerta de contracorriente para evitar la condensación.

Si lo desea, se puede instalar un conjunto de cambio de sección Tandem en lugar de 2 bocas exteriores.

- Debe instalarse otra compuerta de contracorriente (no incluida) en el conducto que lleva **el aire viciado al exterior** de acuerdo con la mejor práctica habitual. En caso de que la compuerta de contracorriente cause una interrupción en el aislamiento del conducto que lleva el aire viciado al exterior, añada aislamiento alrededor de la compuerta de contracorriente para evitar la condensación.
- El espacio mínimo entre viguetas para instalar el cambio de sección Tandem® debe ser de 9¾ pulg. La altura máxima del cambio de sección Tandem es de 8¾ pulg.
- Para conectar los conductos flexibles aislados al cambio de sección Tandem (aire viciado hacia el exterior y aire fresco desde el exterior), siga las instrucciones que vienen con el conjunto de cambio de sección Tandem (no de pieza VTYIK1).

\*Patentado.



VR0003

Conjunto de cambio de sección Tandem

## 3 Instalación (cont.)

### 3.5 Conexión de los controles (alimentados por la unidad, baja tensión)

- Los controles no están incluidos en esta unidad.
- La unidad puede conectarse a un interruptor de espera de contacto seco, si se desea. En tal caso, la unidad permanece encendida, pero se pone en modo de espera cuando se activa el interruptor.
- Este ventilador de recuperación de energía (ERV) puede sustituir hasta 2 ventiladores de baño. Cuando sea el caso, la unidad debería conectarse a un control de anulación de 20 minutos en cada cuarto de baño.

#### 3.5.1 Conexión de la unidad a un interruptor de espera

Instale el interruptor de espera de contacto seco en un lugar adecuado y conéctelo a la unidad de la siguiente manera.

**PRECAUCIÓN**

**Todos los hilos no usados deben llevar capuchón.**

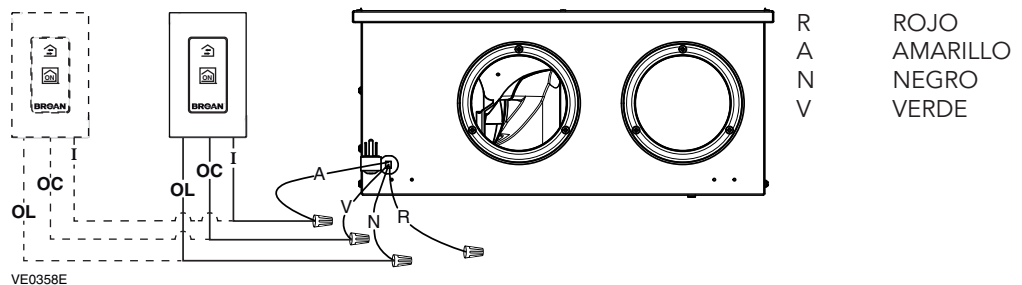
Posición del interruptor	Modo de la unidad
Contacto seco abierto	La unidad funciona en el modo elegido Véase punto 4.1
Contacto seco cerrado	La unidad está mantenida en el modo de espera

R ROJO  
A AMARILLO  
N NEGRO  
V VERDE

VE0357E

#### 3.5.2 Conexión de la unidad con 1 o 2 controles de 20 minutos VB20W de Broan

1. Instale el control de 20 minutos en el cuarto o cuartos de baño de acuerdo con las instrucciones que vengan con el control.
2. Conéctelo a la unidad de la siguiente manera.



#### 3.5.3 Conexión de la unidad con un interruptor de espera Y con 1 o 2 controles de 20 minutos VB20W de Broan

1. Instale el control de 20 minutos en el cuarto o cuartos de baño de acuerdo con las instrucciones que vengan con el control.
2. Instale el interruptor de espera en un lugar conveniente.
3. Conecte ambos a la unidad de la siguiente manera.

Posición del interruptor	Modo de la unidad
Contacto seco abierto	La unidad funciona en el modo elegido Véase punto 4.1
Contacto seco cerrado	La unidad está mantenida en el modo de espera

CONTROL DE 20 MIN.  
VB20W DE BROAN      INTERRUPTOR DE ESPERA  
DE CONTACTO SECO

R ROJO  
A AMARILLO  
N NEGRO  
V VERDE

VE0359E

Esta conexión permite que los controles VB20W funcionen incluso si el interruptor de espera de contacto seco está apagado.

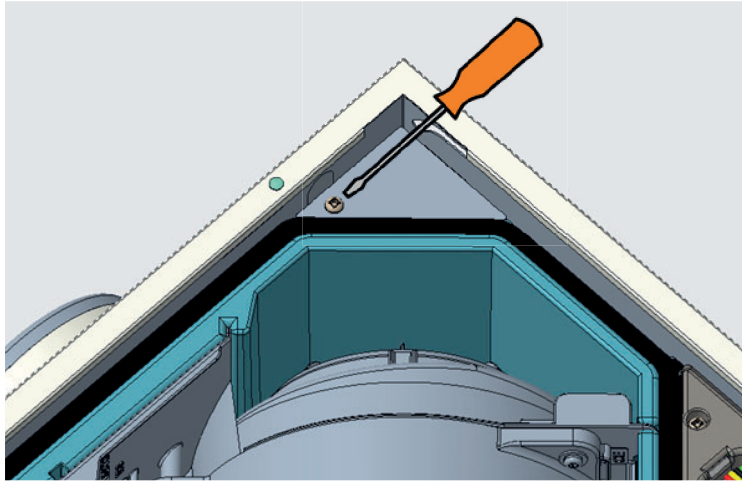
## 3 Instalación (cont.)

### 3.6 Conectar el cableado local (aparato ERVS100S-HW solamente)

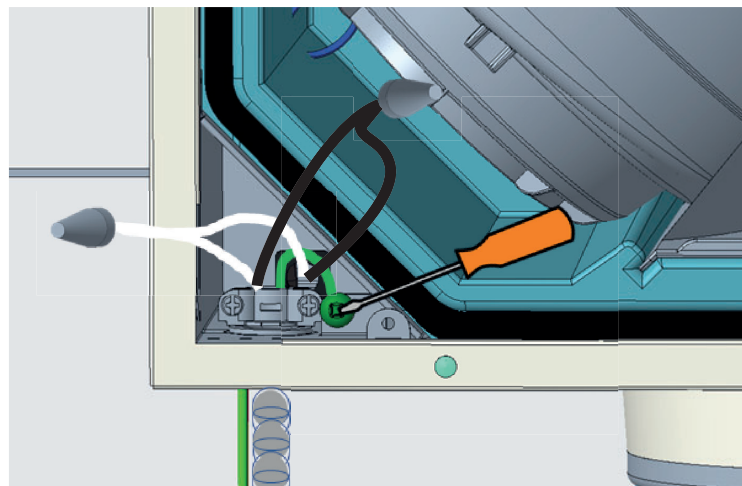
#### ⚠ ADVERTENCIA

Riesgo de descarga eléctrica. El cableado eléctrico debe ser realizado por personal cualificado, de acuerdo con todos los códigos y normas aplicables. Antes de conectar los hilos, apague la alimentación en el tablero de servicio y bloquee los medios de desconexión para evitar que se conecte la corriente accidentalmente. La conexión con cableado local necesita el uso de tubo flexible.

1. Abra la puerta de la unidad.
2. Quitar y poner a un lado la tapa del compartimento eléctrico.



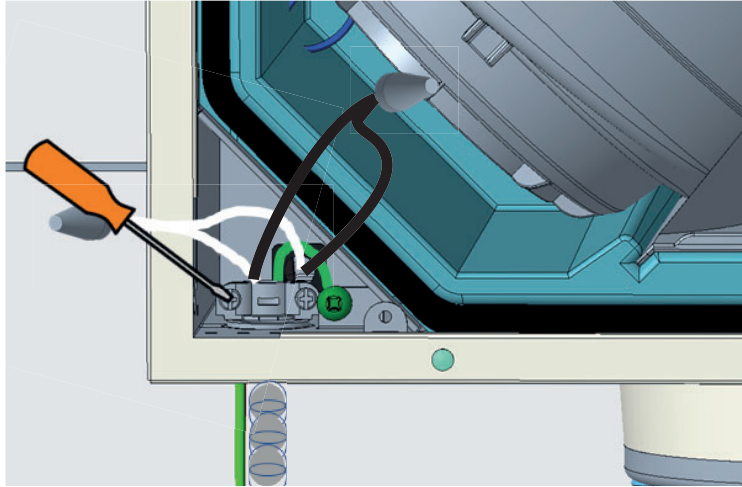
3. Instalar la abrazadera de cable incluida con el kit y apretar para que los tornillos de la abrazadera sean accesibles. Insertar el extremo del tubo flexible en el aparato, a través de la abrazadera de cable.
4. Conectar el hilo de tierra del tubo flexible al tornillo de tierra VERDE en el compartimento eléctrico. Usando los capuchones de conexión incluidos, realizar las conexiones como sigue: hilo NEGRO al hilo NEGRO, hilo BLANCO al hilo BLANCO.



## 3 Instalación (cont.)

### 3.6 Conectar el cableado local (aparato ERVS100S-HW solamente) (cont.)

5. Sujetar el tubo de metal flexible a la abrazadera de cable incluida apretando los tornillos de cada lado de la abrazadera. No apretar demasiado de manera que el tubo de metal flexible no sea dañado.



6. Insertar todos los hilos en el compartimento eléctrico.
7. Reinstalar y sujetar la tapa del compartimento eléctrico, teniendo cuidado de no atascar ningún hilo. Reinstalar la puerta del aparato.
8. Restablecer el encendido al panel de servicio.

# 4 Puesta en marcha de la unidad

## 4.1 Parámetros de la unidad

- El instalador debería cambiar los parámetros una vez terminados los trabajos de construcción con el fin de cumplir con los códigos de construcción locales. Si el usuario desea cambiar los parámetros posteriormente, debería recurrir a un técnico autorizado.
- La unidad no debería funcionar nunca cuando el edificio esté en construcción.
- Todas las unidades vienen configuradas de fábrica en el modo espera y el límite de humedad relativa (RH) se ha colocado en la posición N.
- Ver la sección 3.3.2 para detalles específicos sobre el funcionamiento en invierno.

### 4.1.1 Descripción de los parámetros

**MODO (MODE)**

POSICIÓN	Modo	DESCRIPCIÓN
SB	Espera	La unidad está apagada. Se puede activar la unidad en alta velocidad con el control de 20 minutos VB20W, si procede.
INT	Intermitente	La unidad funciona 20 minutos por hora en baja velocidad. Se puede activar la unidad en alta velocidad con el control de 20 minutos VB20W, si procede.
1	Baja velocidad	La unidad funciona a 65 pi <sup>3</sup> /min. Se puede activar la unidad en alta velocidad con el control de 20 minutos VB20W, si procede.
2	Alta velocidad	La unidad funciona a 105 pi <sup>3</sup> /min. Se puede activar la unidad en alta velocidad con el control de 20 minutos VB20W, si la unidad está desactivada debido a la límite de humedad relativa.

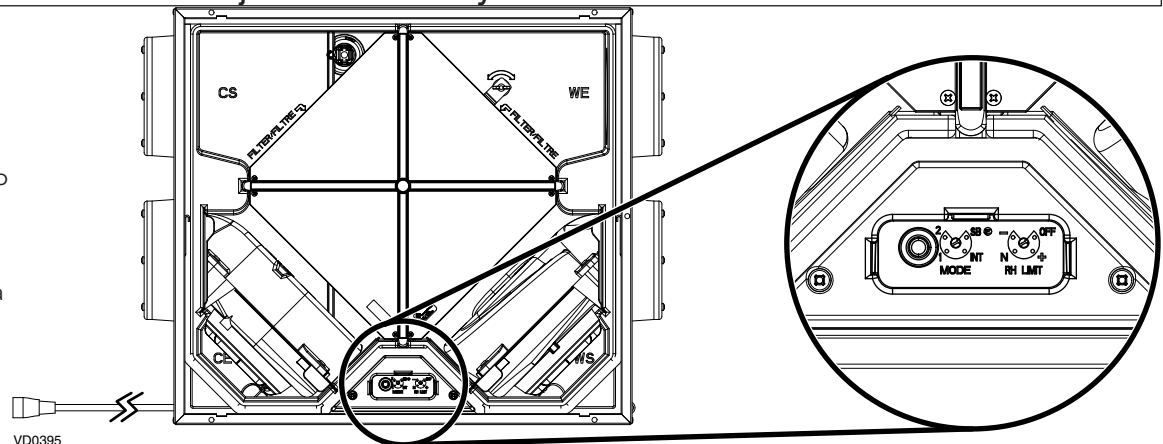
**LÍMITE RH (RH LIMIT)**

POSICIÓN	DESCRIPCIÓN
OFF	El límite de humedad relativa está desactivado.
+	Límite de humedad relativa más alto.
N	Límite de humedad relativa establecido en fábrica.
-	Límite de humedad relativa más bajo.

■ Parámetros de fábrica

### 4.1.2 Ubicación de los controles ajustables de modo y humedad relativa

Retire la puerta para tener acceso a los controles ajustables de modo (MODE) y humedad relativa (RH).



### 4.1.3 Elección de los parámetros adecuados

#### Modo:

- La unidad viene configurada de fábrica en el modo espera (SB) y debería reconfigurarse en el modo apropiado de acuerdo con los códigos de construcción locales, la superficie de la vivienda, el número de personas que vivan en ella y las condiciones meteorológicas locales.

#### Límite RH:

- La unidad viene configurada de fábrica en la posición "N" y normalmente debería permanecer en esta posición a menos que las condiciones locales requieran algo diferente.

## 4.2 Preparación de la unidad

- Retire el cartón protector de la puerta, si procede.
- Verifique la orientación de la clapeta (véase la sección 3.1.2).

## 4.3 Secuencia de inicio

Cuando la unidad reciba corriente eléctrica, pasará por una secuencia de inicio en la que se probarán sus componentes. La secuencia de inicio dura menos de un minuto y, tras ella, la luz LED parpadeará si hay algún problema. Si hay un control de 20 minutos VB20W de Broan conectado a la unidad, también parpadeará. La velocidad del parpadeo indica el tipo de problema:

- ● ● ● Parpadeo lento: Problema del sensor de humedad relativa y temperatura
- ● ● ● ● ● Parpadeo rápido: problema de motor

Véase la sección Solución de problemas de esta guía para obtener instrucciones detalladas para solucionar el problema.

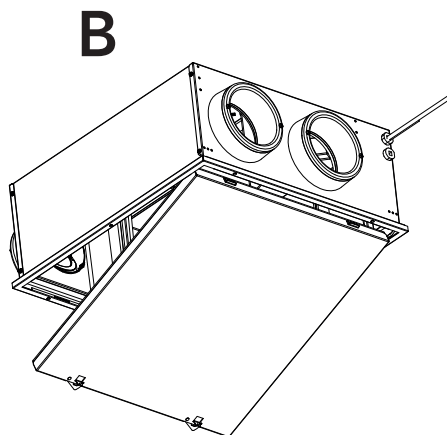
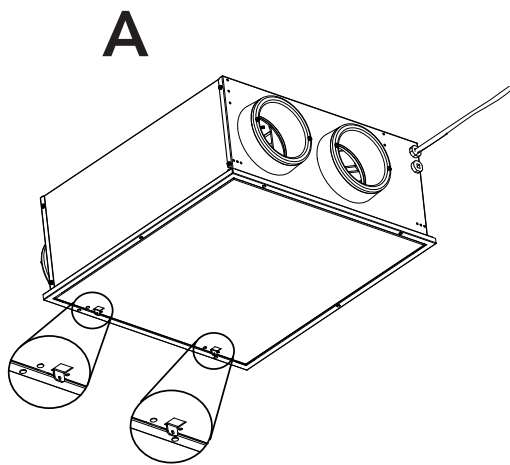
# 5 Mantenimiento

## ⚠ ADVERTENCIA

Riesgo de descarga eléctrica. Antes de cualquier trabajo de reparación o mantenimiento, corte la corriente siempre en el tablero eléctrico o desenchufe la unidad de la toma de corriente. Al limpiar la unidad, se aconseja llevar lentes y guantes de seguridad.

### 5.1 Mantenimiento trimestral

1. Desenchufe la unidad o corte la corriente en el tablero eléctrico.
2. Abra la puerta de la unidad siguiendo estas instrucciones y consultando las siguientes ilustraciones:
  - A Empuje las pestañas de retención de la puerta para retirarlas del cuadro de la unidad.
  - B Gire la puerta y retírela.



## PRECAUCIÓN

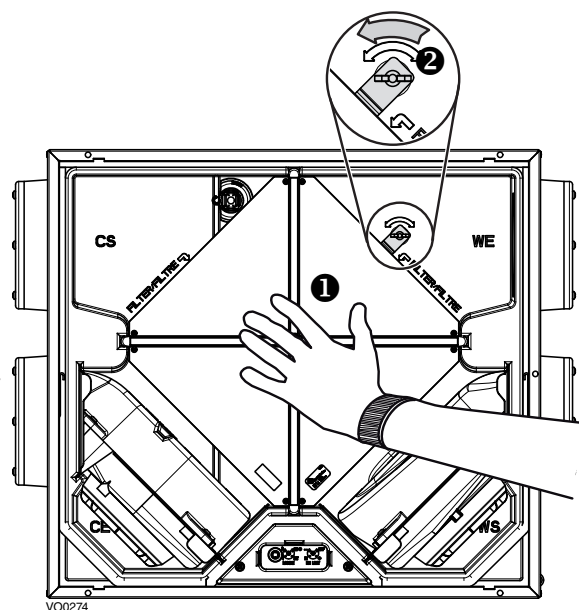
Tenga cuidado al abrir la puerta; puede haber agua cuando la temperatura exterior es fría.

3. Si la unidad está instalada en el techo o debajo del techo, sujete el núcleo (1), afloje la tuerca de aletas (2) y gire el soporte que retiene el núcleo (parte sombreada de la ilustración de la derecha). Saque el núcleo con sus filtros.

## ⚠ ADVERTENCIA

Si la unidad está instalada en el techo o debajo del techo, sujete siempre el núcleo al girar el soporte que retiene el núcleo; de no hacerlo, el núcleo podría caerse.

4. Lave ambos filtros del núcleo con agua tibia y un jabón suave. Enjuáguelos y deje que sequen completamente antes de volver a instalarlos en el núcleo. Consulte la etiqueta del núcleo para colocarlo correctamente.
5. Introduzca el núcleo y los filtros limpios en la unidad. Consulte los indicadores de posición de los filtros —que vienen en relieve dentro de la unidad— para colocar correctamente el núcleo. Use el soporte del núcleo y la tuerca de aletas para bloquear en su sitio el núcleo.
6. Cierre la puerta y vuelva a dar la corriente.





## 5 Mantenimiento (cont.)

### 5.2 Mantenimiento anual

Siga las etapas 1 a 5 del mantenimiento trimestral y, a continuación, haga lo siguiente:

6. Use un aspirador dotado de un cepillo suave para retirar el polvo del núcleo de recuperación, el sensor y la clapeta (la clapeta debe abrirse sin dificultades).

#### PRECAUCIÓN

**No moje el núcleo de recuperación. El núcleo de recuperación puede dañarse fácilmente, sobre todo si se moja. El detergente puede dañar el sensor. Para limpiar el sensor, use sólo un trapo seco.**

7. Introduzca el núcleo limpio y los filtros limpios en la unidad. Consulte los indicadores de posición de los filtros —que vienen en relieve dentro de la unidad— para colocar correctamente el núcleo. Use el soporte del núcleo y la tuerca de aletas para bloquear en su sitio el núcleo.
8. Cierre la puerta y vuelva a dar la corriente.
9. Limpie las bocas exteriores.

## 6 Garantía

Este aparato de ventilación de Broan es un producto de gran calidad, fabricado y empacado con cuidado.

Broan garantiza al comprador original de sus productos que dichos productos están libres de defectos por el periodo de tiempo indicado más adelante, a partir de la fecha de compra original. La garantía de todos los aparatos Broan cubre las piezas únicamente contra cualquier defecto que pudiera perjudicar su funcionamiento. Su duración es de cinco (5) años. A reserva de que se efectúe el mantenimiento del núcleo, tal y como se indica en la guía del usuario, el núcleo de recuperación de energía (ERV) tiene una garantía de cinco (5) años. Si el aparato funcionara de manera inadecuada, consulte la guía del usuario.

Si el problema continúa, siga estos pasos:

#### PROCEDIMIENTO A SEGUIR

Si el aparato estuviera defectuoso, sírvase comunicar inmediatamente con su empresa de ventilación (véase la dirección en la cubierta de este manual). La empresa determinará el origen del mal funcionamiento del aparato y lo sustituirá o reparará, de ser necesario.

Si le resultara imposible ponerse en comunicación con la empresa, telefónee (en América del Norte) al 1-800-558-1711 y nuestro personal le indicará con mucho gusto el teléfono del distribuidor o del centro de servicio más próximo.

#### PIEZAS DE RECAMBIO Y SERVICIO

Para que el aparato funcione bien debe usar siempre piezas originales de Broan. Estas piezas se han diseñado especialmente para cumplir con todas las normas de certificación de seguridad aplicables. El uso de piezas diferentes podría poner en peligro la seguridad del aparato, ocasionar una reducción importante de su funcionamiento y producir una falla prematura.

Broan también aconseja consultar siempre con una empresa de servicios competente reconocida por Broan para las piezas de recambio y para solicitar un servicio.

#### FACTURA

La garantía no cubrirá ninguna reparación ni sustitución sin la factura original de compra. Le rogamos, pues, que la conserve debidamente.

#### CONDICIONES Y LÍMITES

Este aparato es pensado únicamente para uso residencial y han de utilizarse en un edificio tal y como se describe a continuación:

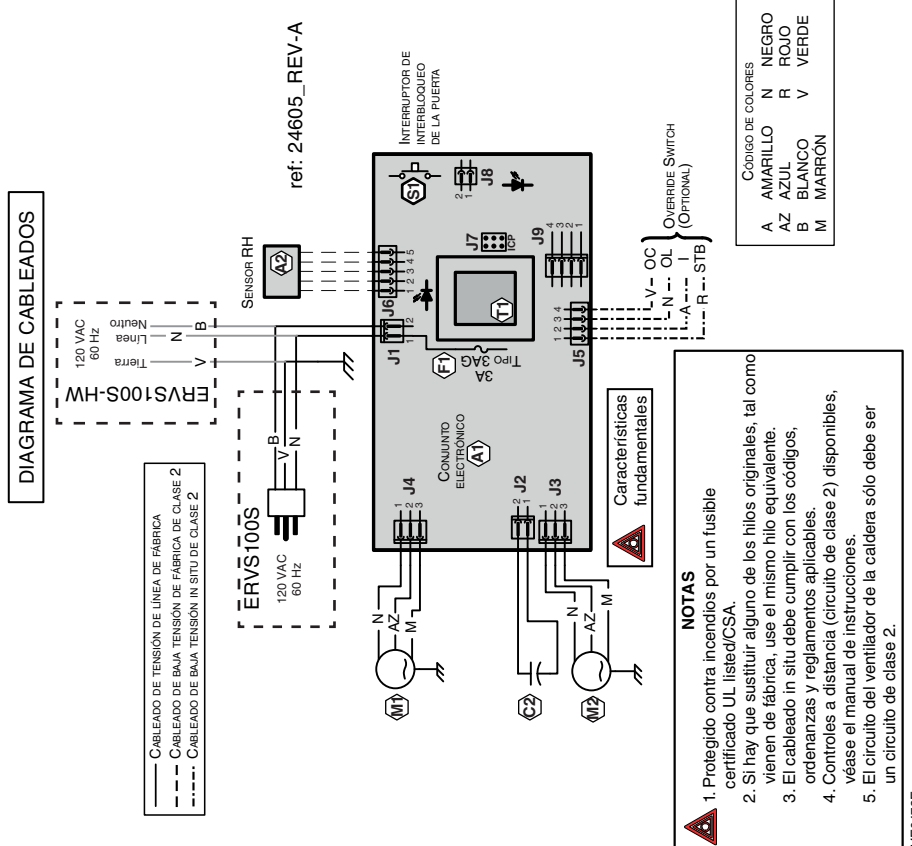
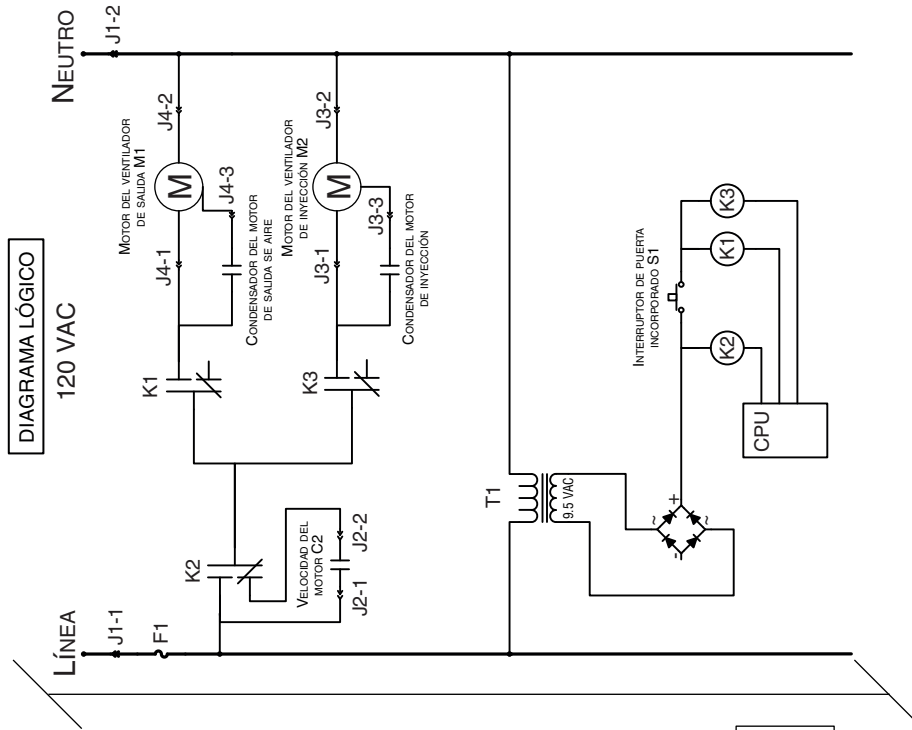
- Edificio: Toda construcción usada o destinada para ser usada con el fin de alojar o recibir personas, animales o cosas.
- Uso residencial: Vivienda, alojamiento, suite: edificio o parte de un edificio que sirve o está destinado a servir de domicilio a una o varias personas y que también posee instalaciones sanitarias, para preparar y consumir comidas y dormir. Local constituido por una sola pieza o un grupo de piezas complementarias y ocupado por un inquilino o propietario; incluye los alojamientos, las habitaciones individuales de moteles, hoteles, las casas de alquiler de habitaciones, los dormitorios colectivos y las pensiones familiares, incluso las tiendas y los establecimientos de negocios de una sola pieza en una vivienda.
- Uso comercial: Establecimiento agrícola, comercial, de reunión, de cuidados o de detención: edificio o parte de un edificio que no contenga viviendas, situado en un terreno dedicado a la agricultura o a la ganadería y usado fundamentalmente para guardar equipos o animales, o para la producción, almacenamiento o tratamiento de productos agrícolas u hortícolas o la alimentación de los animales. Edificio o parte de un edificio usado para colocar o vender mercancías o productos al por menor o usado para realizar negocios o prestar servicios profesionales o personales. Edificio o parte de un edificio usado por personas que se reúnen para realizar actividades cívicas, políticas, turísticas, religiosas, mundanas, educativas, recreativas o similares, o para consumir alimentos o bebidas. Edificio o parte de un edificio que acoge a personas que, por su estado físico o mental, necesitan cuidados o tratamientos médicos, o a personas que, por razones de seguridad fuera de su control, no pueden guarecerse en caso de peligro.
- Uso industrial: Edificio o parte de un edificio usado para ensamblar, fabricar, confeccionar, tratar, reparar o almacenar productos, materias o materiales cuyo contenido es combustible y posee materias muy combustibles, inflamables o explosivas en cantidad suficiente para constituir un riesgo concreto de incendio.

La garantía se aplicará en todos los casos en los que los daños no resulten de una instalación inadecuada, de un uso inapropiado, de un abuso o negligencia, de un caso fortuito o de cualquier otra circunstancia fuera del control de Broan. Además, Broan no se hace responsable de las lesiones o daños en la propiedad personal o inmobiliaria causados directa o indirectamente por el aparato de ventilación Broan. Esta garantía anula todas las garantías anteriores.

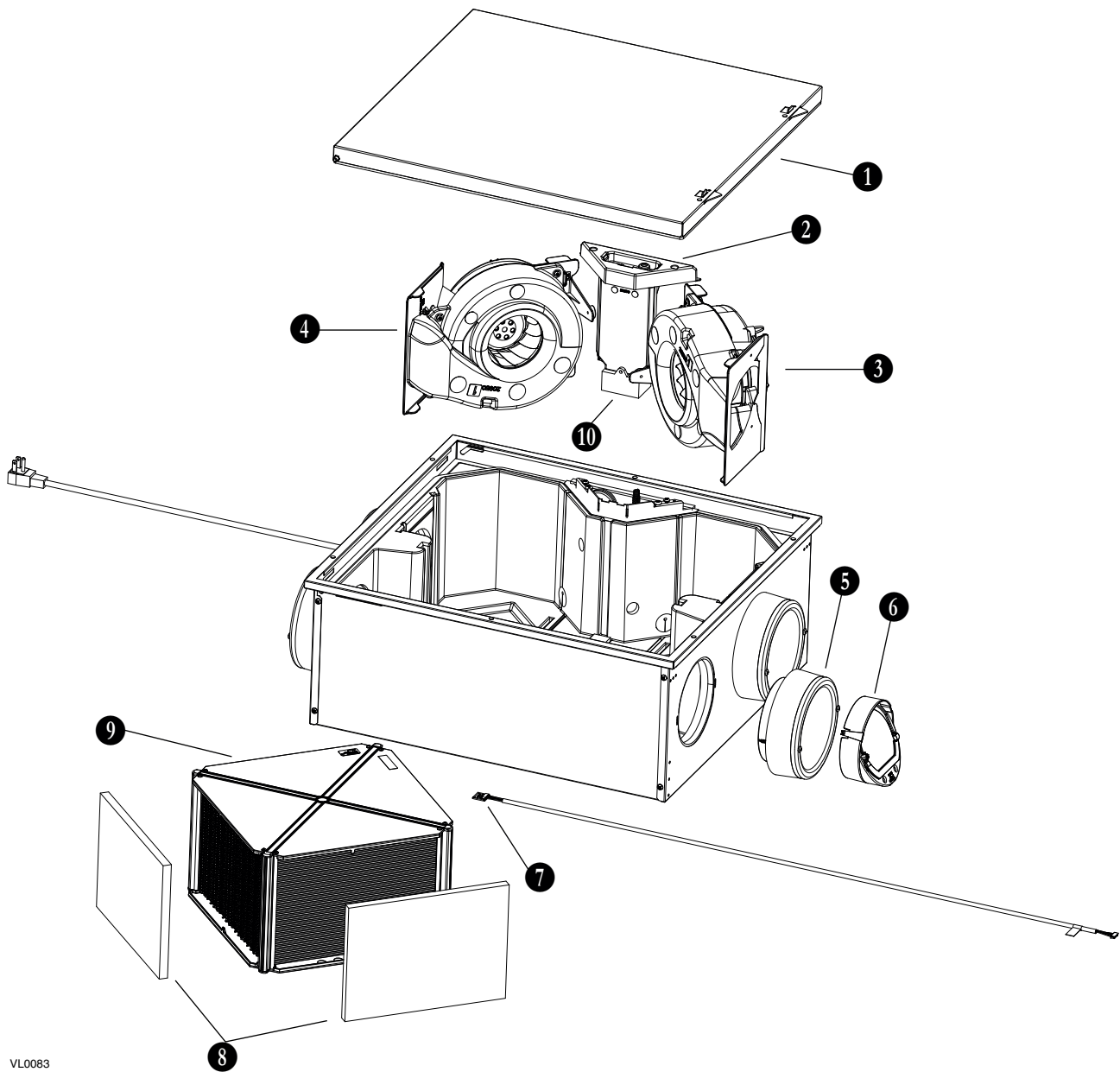
# 7 Diagrama de cableados

## ⚠ ADVERTENCIA

- Riesgo de descarga eléctrica. Antes de cualquier trabajo de reparación o mantenimiento, desconecte siempre el aparato de su fuente de alimentación.
- Este producto está equipado con una protección contra la sobrecarga (fusible). Un fusible fundido indica que se ha producido una sobrecarga o cortocircuito. Si el fusible se funde, desenchufe el aparato. Deje de utilizar el aparato y póngase en contacto con el servicio de asistencia técnica.



## 8 Piezas de repuesto



VL0083

### SUSTITUCIÓN DE PIEZAS Y REPARACIÓN

Para que la unidad se conserve en buen estado, debe usar repuestos genuinos Broan-NuTone LLC únicamente. Estas piezas se han diseñado especialmente para cada unidad y se han fabricado conforme a las normas de certificación aplicables y un elevado nivel de seguridad. El uso de repuestos de otros fabricantes podría causar daños graves y reducir radicalmente el desempeño de la unidad, causando así fallas prematuras. Broan-NuTone LLC también aconseja ponerse en contacto con un taller de reparación homologado por Broan-NuTone LLC para todos los repuestos y reparaciones.

N.º	DESCRIPCIÓN	N.º DE PIEZA	CTD
1	PUERTA	SV66548	1
2	PLACA DE CIRCUITOS IMPRESOS Y RESORTE DEL INTERRUPTOR (SOPORTE DE PLÁSTICO NO INCLUIDO)	SV62721	1
3	KIT DEL VENTILADOR IMPELENTE CE	SV62724	1
4	KIT DEL VENTILADOR IMPELENTE WS	SV62723	1
5	KIT METÁLICO DEL PUERTO AISLADO DE 6"	SV62718	4
6	KIT DEL SISTEMA DE LA CLAPETA	SV62717	1
7	SENSOR DE TEMPERATURA Y HUMEDAD RELATIVA	SV62719	1
8	KIT DE FILTROS (2)	SV21029	1
	FILTROS OPCIONALES MERV 8 (2)	V21030	1
9	NÚCLEO DE RECUPERACIÓN DE ENERGÍA ERV	SV61223	1
10	CONDENSADOR DE BAJA VELOCIDAD 18 µF	SV62722	1
*	KIT DEL DISPOSITIVO DE BLOQUEO DEL NÚCLEO	SV61237	1
*	KIT DE PIEZAS	SV22079	1

\* NO SE MUESTRA.

## 9 Solución de problemas

### ⚠ ADVERTENCIA

**Riesgo de descarga eléctrica. Las conexiones de la tarjeta electrónica sólo deben verificarse por personal cualificado.**

Si el aparato no funciona debidamente, desenchúfelo durante un minuto y vuélvalo a enchufar para reiniciarlo. Si sigue sin funcionar debidamente, consulte la tabla de abajo.

	PROBLEMAS	CAUSAS POSIBLES	INTENTE ESTO
1	La unidad no se pone en marcha.	<ul style="list-style-type: none"> <li>No hay corriente en la toma.</li> <li>La puerta de la unidad no está bien cerrada.</li> <li>Pestañas de bloqueo del soporte de plástico del PCB este desengancha.</li> </ul>	<ul style="list-style-type: none"> <li>Verifique el disyuntor en el tablero de distribución.</li> <li>ERVS100S únicamente: Pruebe la toma de corriente con otro aparato eléctrico (p. ej., una lámpara). Si sigue sin funcionar, llame a un electricista.</li> <li>ERVS100S-HW únicamente: Controlar con un voltímetro los cables de alimentación. Si no se detecta tensión, llamar a un electricista.</li> <li>Compruebe que la puerta de la unidad está bien cerrada.</li> <li>Compruebe que las pestañas de bloqueo del soporte de plástico del PCB este engancha correctamente.</li> </ul>
2	La señal LED parpadea rápidamente en el botón pulsador y en la unidad (error del motor).	<ul style="list-style-type: none"> <li>Arnés del motor dañado o mal conectado.</li> <li>Placa de circuitos impresos, conjunto del motor o condensador de baja velocidad defectuoso.</li> </ul>	<ul style="list-style-type: none"> <li>Verifique ambas conexiones del arnés del motor, compruebe que los conectores estén conectados en los lugares adecuados, que los hilos no estén dañados y que las clavijas de los conectores no estén corroídas.</li> <li>Abra la puerta y presione el resorte del interruptor de la puerta para reiniciar la unidad activando el proceso de autocomprobación de la secuencia de inicio. Ambos motores deben ponerse en marcha a alta velocidad durante 10 segundos y pasar luego a baja velocidad durante 10 segundos. Si no se ponen en marcha los dos motores a alta velocidad, sustituya la placa de circuitos impresos.</li> <li>Si uno de los motores no se pone en marcha a alta velocidad, invierta la conexión de ambos motores y vuelva a iniciar el proceso de autocomprobación; si el motor sigue sin ponerse en marcha a alta velocidad, sustituya el conjunto del motor. Si el problema es ahora el otro motor, sustituya la placa de circuitos impresos.</li> <li>Si ambos motores funcionan a alta velocidad pero no a baja velocidad, sustituya el condensador de baja velocidad. Si sólo funciona un motor a baja velocidad, sustituya el conjunto del motor defectuoso.</li> </ul>
3	La señal LED parpadea lentamente en el botón pulsador y en la unidad (error del sensor de humedad relativa y temperatura).	<ul style="list-style-type: none"> <li>Sensor de humedad relativa y temperatura mal conectado.</li> <li>Sensor de humedad relativa y temperatura defectuoso.</li> </ul>	<ul style="list-style-type: none"> <li>Verifique la conexión del arnés del sensor, compruebe que el conector esté conectado en el lugar adecuado, que los hilos no estén dañados y que las clavijas del conector no estén corroídas.</li> <li>Abra la puerta y presione el resorte del interruptor de la puerta para reiniciar la unidad activando el proceso de autocomprobación de la secuencia de inicio. Ambos motores deben ponerse en marcha a alta velocidad durante 10 segundos y pasar luego a baja velocidad durante 10 segundos. Tras esto, la unidad probará su sensor de temperatura y humedad relativa. Si la señal LED sigue parpadeando lentamente, sustituya el sensor de temperatura y humedad relativa defectuoso.</li> </ul>
4	El control mural no funciona.	<ul style="list-style-type: none"> <li>La unidad no es compatible con el control.</li> <li>Los hilos pueden estar en posiciones invertidas.</li> <li>Los hilos pueden estar mal conectados.</li> <li>Los hilos pueden estar rotos.</li> <li>Control mural defectuoso.</li> </ul>	<ul style="list-style-type: none"> <li>Consulte la tabla de la página 2 para ver la compatibilidad de los controles.</li> <li>Compruebe que los hilos con códigos de colores han sido conectados en los lugares adecuados.</li> <li>Compruebe que los hilos estén bien conectados.</li> <li>Examine cada hilo y sustituya los que estén dañados. Si los hilos están escondidos en las paredes, pruebe el control usando un hilo más corto.</li> <li>Sustituya el control mural.</li> </ul>
5	La unidad deja entrar demasiada humedad en el edificio durante la ventilación.	<ul style="list-style-type: none"> <li>Mal funcionamiento de la clapeta de retención.</li> <li>Mala configuración del límite de humedad relativa.</li> </ul>	<ul style="list-style-type: none"> <li>Verifique si la clapeta de retención de la unidad está cerrada cuando la unidad está apagada; si no lo está, verifique la orientación del conjunto de la clapeta (la palabra "TOP" grabada en el soporte de la clapeta debe estar en la parte de arriba), verifique si el imán está en su lugar en el soporte de la clapeta, verifique si el clip metálico está en su lugar en la clapeta. La clapeta debe abrir sin dificultades.</li> <li>Verifique el ajuste del límite de humedad relativa (la configuración de fábrica es "N" para el clima del sur y húmedo); ajuste el límite de humedad relativa colocándolo en la posición "-" para reducir el límite de humedad de la ventilación. La velocidad de ventilación se puede reducir cambiando el modo, de forma que entre menos humedad en el edificio.</li> </ul>
6	La unidad deja de ventilar con demasiada frecuencia.	<ul style="list-style-type: none"> <li>Mala configuración del límite de humedad relativa.</li> </ul>	<ul style="list-style-type: none"> <li>Verifique el ajuste del límite de humedad relativa (la configuración de fábrica es "N" para el clima del sur y húmedo); ajuste el límite de humedad relativa colocándolo en la posición "+" para incrementar el límite de humedad de la ventilación (el tiempo de ventilación será mayor) o ponga el límite de humedad relativa en la posición "OFF" para desactivar el sensor.</li> </ul>