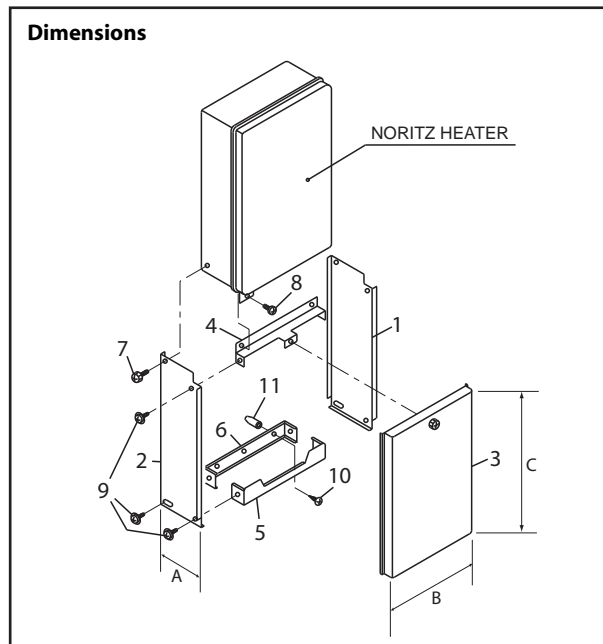


Tankless Water Heater Accessories

Specification Sheet

Pipe Cover

- Made of durable powder coated steel (or stainless steel for select models)
- Conceals the piping underneath the water heater to provide a cleaner installation
- Compatible with all water heater models and requires light assembly



- Pipe Cover**
- NR50, NR66 and NR71 Series (#PC-1S)
 - NR83-DVC, NR98-SV/-OD, NC199-OD (#PC-2S)
 - NRC98, NCC199, NRC111, NR111 Series (#PC-3S)
 - Stainless Steel Version (#PC-3S-SUS)
 - Pipe Cover for NC380/1321 Series (#PC-4S)
 - Stainless Steel Version (#PC-4S-SUS)
 - N-0751M-DVC, NR98-DVC, NC199-DVC (#PC-5S)

- Compatible with All Models**
- | | |
|--------------|---------------|
| NR50 Series | NC199 Series |
| NR66 Series | NCC199 Series |
| NR71 Series | NRC111 Series |
| NR83 Series | NR111 Series |
| NR98 Series | NC250 Series |
| NRC98 Series | NC380 Series |

Pipe Cover	PC-1S		PC-2S		PC-3S(-SUS)*		PC-4S(-SUS)*		PC-5S		
Model Compatibility	NR50, 531 Series, NR66 Series, 631 Series, NR71 Series		N-0751M, NR83-DVC, NR98-SV, N-0751M-OD, NR98-OD, NC199-OD		N-0751M-DV, NRC98 Series, NCC199 Series, 841 & 842 Series, NRC111 Series, 931 Series, NR111 Series, NC250 Series		N-1321M-ASME, NC380-SV-ASME		N-0751M-DVC, NR98-DVC, NC199-DVC		
Part #	Part Name	QTY		QTY		QTY		QTY		QTY	
1	Left Side	1		1		1		1		1	
2	Right Side	1	A: 6.0"	1	A: 8.7"	1	A: 8.7"	1	A: 11.8"	1	A: 9.6"
3	Front	1	B: 13.3" C: 17.5"	1	B: 13.3" C: 17.5"	1	B: 17.8" C: 17.5"	1	B: 18.3" C: 17.5"	1	B: 13.3" C: 17.5"
4	Top Bracket	1		1		1		1		1	
5	Bottom Front Bracket	1		1		1		1		1	
6	Bottom Back Bracket	1		1		1		1		1	
7	Cosmetic Screw	2		2		2		2		2	
8	Truss Screw Small	2		2		2		2		2	
9	Tapping Screw	6		6		6		8		6	
10	Wood Screw	2		2		2		0		2	
11	Wall Anchor	2		2		2		0		2	

*-SUS denotes Stainless Steel version of the Pipe Cover