

Features

- Solid brass construction
- Quarter-turn washerless ceramic disc valve cartridges
- Spout assembly with integral supply hoses
- Spring-loaded, normally closed lever handle
- 6-7/16" (16.4 cm) spout height at outlet
- 4-13/16" (12.2 cm) spout reach (c-c)
- 1 gallon (3.6 liters) per minute maximum flow rate*
- For single hole configurations

*A Water Dispenser flow rate of approximately 1 gpm or less is typical but will vary depending on installation specific factors including in-line water pressure and water filtration system.

Codes / Standards Compliance

Meets or exceeds the following at date of manufacture:

- ASME A112.18.1/CSA B125.1
- IAPMO/cUPC
- IPC
- NSF 61
- Energy Policy Act of 1992
- All applicable US Federal and State material regulations

Colors / Finishes



107



Colors / Finishes

- 10B: Oil Rubbed Bronze
- 15: Polished Nickel
- 15S: Satin Nickel
- 26: Polished Chrome
- Other: Refer to the Newport Brass catalog for additional color/finish options.

Specified Model

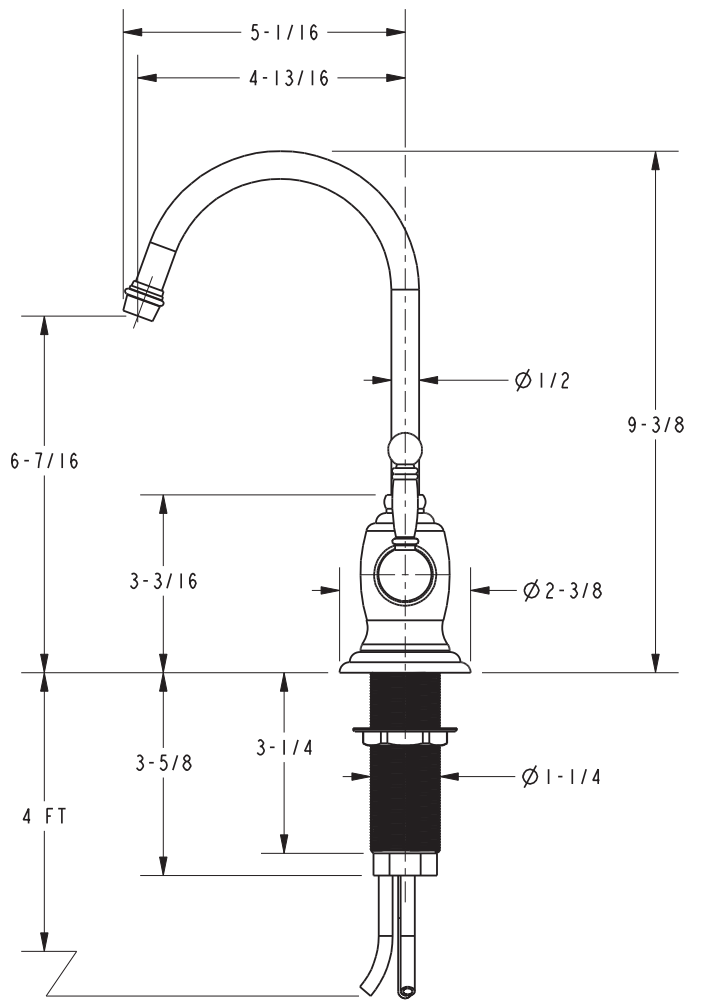
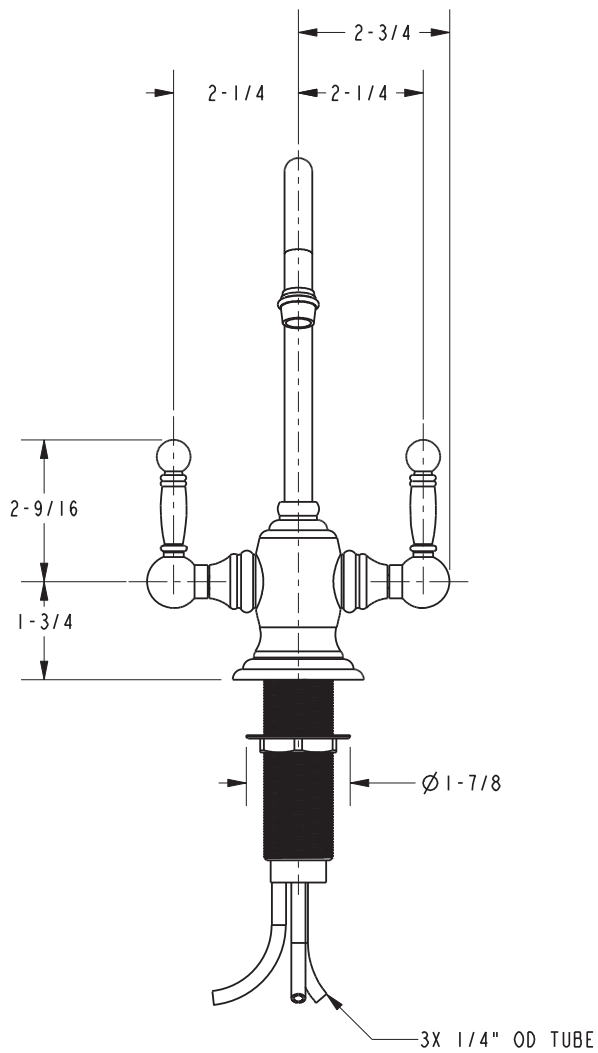
Model	Description	Colors Finishes
107	Hot and Cold Water Dispenser Faucet	<input type="checkbox"/> 10B <input type="checkbox"/> 15 <input type="checkbox"/> 15S <input type="checkbox"/> 26 <input type="checkbox"/> Other
5-036	Point-of-Use Water Heater (115V, 140° to 190° range)	

Product Specification: Add "Color / Finish" suffix to Model number, below.

The Hot and Cold Water Dispenser Faucet shall be made of solid brass construction. Faucet shall incorporate a spout assembly with integral supply hoses and feature quarter-turn washerless ceramic disc valve cartridges. Faucet shall incorporate contemporary lever handles and feature a spring-loaded, normally closed hot lever mechanism. Hot and Cold Water Dispenser Faucet shall have a 1 gallon (3.6 liters) per minute maximum flow rate and accommodate single hole configurations. Product shall incorporate a 6-7/16" (16.4 cm) spout height at outlet and a 4-13/16" (12.2 cm) spout reach (c-c). Hot and Cold Water Dispenser Faucet shall be Newport Brass Model 107/_____. [Point-of-Use Water Heater shall be Newport Brass Model 5-036].

107

Product Dimensions (units are in inches)



Nadya Hot and Cold Water Dispenser Faucet 107

Page 2 of 2 Spec_107_d_6/15

NEWPORT BRASS
Flawless Beauty. From Faucet to Finish.™

t: 949.417.5207 | www.newportbrass.com
©2015 Brasstech, Inc.