

Class 125 Iron Body Check Valves

Bolted Bonnet • Horizontal Swing • Renewable Iron Seat and Disc*

200 PSI/13.8 bar non-shock cold working pressure to -20°F to 150°F/-29°C to 66°C†

Maximum working temperature 450°F/232°C at 125 PSI/8.6 bar

125 PSI/8.6 bar saturated steam to 353°F/178°C

CONFORMS TO MSS SP-71 TYPE 1

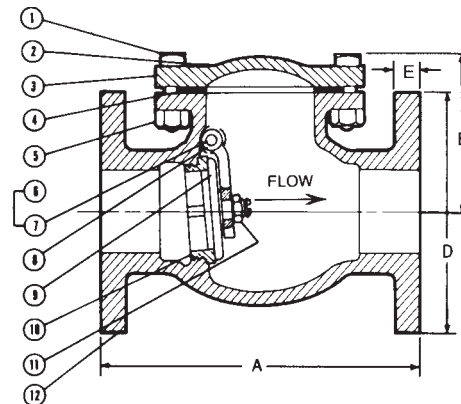
MATERIAL LIST

PART	SPECIFICATION
1. Body Bolt	Steel ASTM A307/SAE J429
2. Identification Plate	Aluminum
3. Bonnet	Cast Iron ASTM A126 Class B
4. Body Gasket	Synthetic Fibers
5. Body Nut	Steel ASTM A563
6. Side Plug	Steel ASTM A307
7. Hanger Pin	Steel ASTM A 108 1214L
8. Hanger	Ductile Iron ASTM A536
9. Disc	Cast Iron ASTM A126 Class B or ASTM A536 Ductile Iron (2"-4")
10. Seat Ring	Cast Iron ASTM A126 Class B
11. Disc Nut	Steel ASTM A563
12. Body	Cast Iron ASTM A126 Class B
13. ¹ Disc Bolt	Mild Steel (not shown)

¹ 5" thru 12" only.



F-918-N
Flanged



F-918-N
Flg x Flg

DIMENSIONS—WEIGHTS—QUANTITIES

Size	Dimensions								Weight		
	A		B		D		E		Lbs.	Kg.	
In.	mm.	In.	mm.	In.	mm.	In.	mm.	In.	mm.		
2	50	8.00	203	3.94	100	6.00	152	.63	16	24	11
2½	65	8.50	216	4.50	114	7.00	178	.69	17	35	16
3	80	9.50	241	5.13	130	7.50	191	.75	19	47	21
4	100	11.50	292	6.13	156	9.00	229	.94	24	80	36
5	125	13.00	330	6.81	173	10.00	254	.94	24	99	45
6	150	14.00	356	8.00	203	11.00	279	1.00	25	147	67
8	200	19.50	495	9.44	240	13.50	343	1.13	29	254	115
10	250	24.50	622	12.06	306	16.00	406	1.19	30	424	192
12	300	27.50	699	16.13	410	19.00	483	1.25	32	646	293

*Proper machining facilities required.

Note: On pump discharge, the preferred check valves are:

- inline, spring assisted, center-guided, lift checks
- spring assisted twin (double) disc
- swing design with lever and weight or lever and spring

Install 5 pipe diameters minimum downstream from pump discharge or changes in direction to avoid flow turbulence. Flow straighteners may be required in extreme cases.

NIBCO Iron Body Check Valves may be installed in both horizontal and vertical lines with upward flow or in any intermediate position.

WARNING: Do not use for Reciprocating Air Compressor Service.

◆ For detailed Operating Pressure, refer to Pressure Temperature Chart on page 114.



WARNING: This product can expose you to chemicals including lead, which is known to the State of California to cause cancer and birth defects or other reproductive harm. For more information go to www.P65Warnings.ca.gov.

Visit our website for the most current information.