

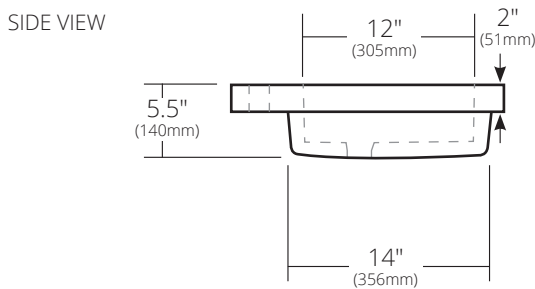
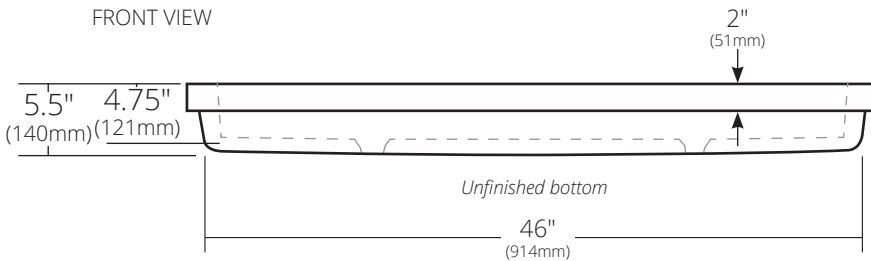
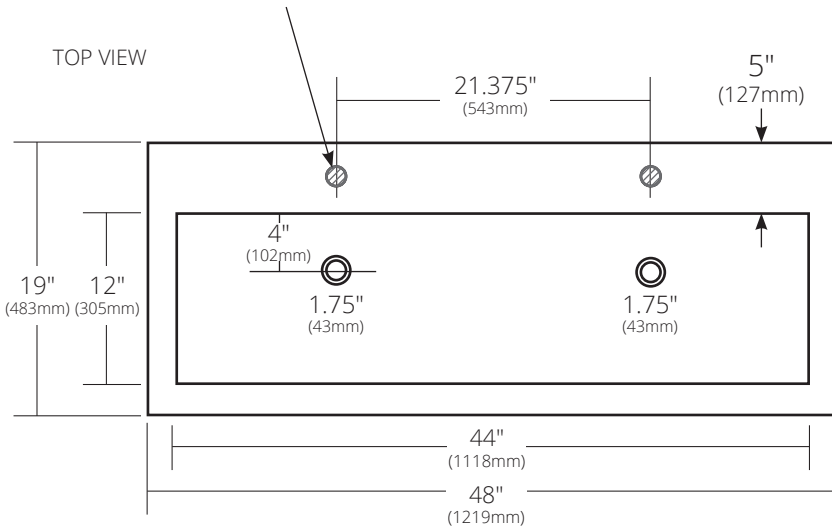
## SPECIFICATIONS

# TROUGH 4819

NativeStone® Collection



**NOTE:** These faucet holes do not exist in **no faucet hole** options.



Single Faucet Hole	No Faucet Hole
NSL4819-A Ash	NSL4819-AX Ash
NSL4819-C Charcoal	NSL4819-CX Charcoal
NSL4819-E Earth	NSL4819-EX Earth
NSL4819-P Pearl	NSL4819-PX Pearl
SL4819-S Slate	SL4819-SX Slate

### PRODUCT DETAILS

- 48" x 19" x 5.5" OD (1219mm x 483mm x 140mm)
- 44" x 12" x 4.75" ID (1118mm x 305mm x 121mm)
- 1.75" (43mm) drain opening
- Handcrafted from sustainable NativeStone
- Sealed with NativeStone Shield™

### INSTALLATION

- Drop-In

### COORDINATING PRODUCTS

- Drains: DR120, DR130 or DR150

### STANDARDS COMPLIANCE

- UPC/cUPC compliant
- **ADA** COMPLIANT

### IMPORTANT

Do NOT use tape or other adhesives on NativeStone as it may remove the sealer.

Due to the handcrafted nature of this product, it will vary in finish, texture, hammering, and other details. Dimensions may vary up to ¼" (6mm). We strongly recommend waiting for the actual product before making any installation cuts.