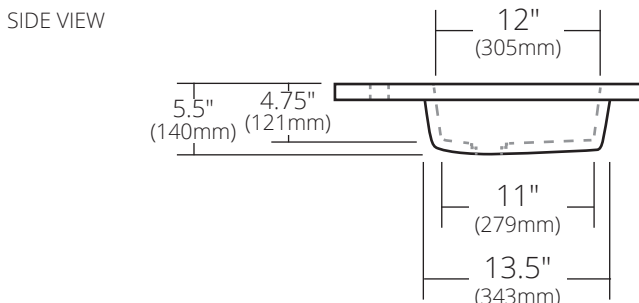
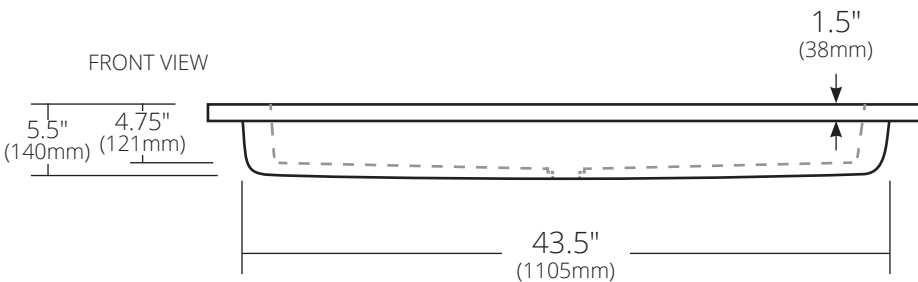
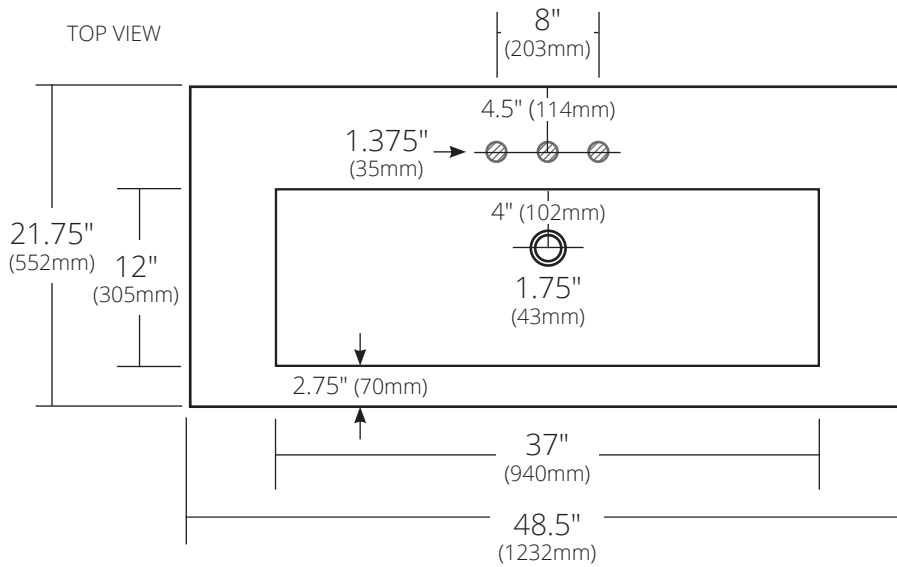
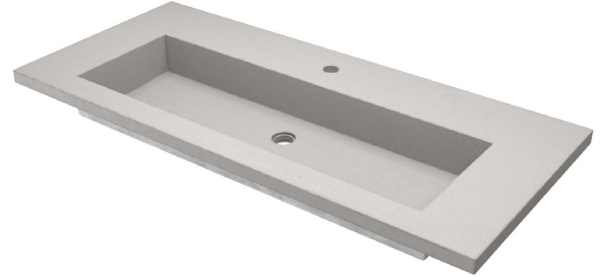


SPECIFICATIONS

48" CAPISTRANO VANITY TOP

NativeStone® Collection



8" Faucet Spread

- NSVT48-A Ash
- NSVT48-C Charcoal
- NSVT48-E Earth
- NSVT48-P Pearl
- NSVT48-S Slate



Single Faucet Hole

- NSVT48-A1 Ash
- NSVT48-C1 Charcoal
- NSVT48-E1 Earth
- NSVT48-P1 Pearl
- NSVT48-S1 Slate

PRODUCT DETAILS

- 48.5" x 21.75" x 5.5" OD (1232mm x 552mm x 140mm)
- Basin 37" x 12" x 4.75" (940mm x 305mm x 121mm)
- 1.75" (43mm) drain opening
- Pre-drilled for 8" (203mm) faucet spread or single faucet hole
- Handcrafted from sustainable NativeStone
- Sealed with NativeStone Shield™

COORDINATING PRODUCTS

- Drains: DR120, DR130 or DR150

STANDARDS COMPLIANCE

- UPC/cUPC compliant
- **ADA COMPLIANT**

IMPORTANT

Do NOT use tape or other adhesives on NativeStone as it may remove the sealer.

Due to the handcrafted nature of this product, it will vary in finish, texture, and other details. Dimensions may vary up to ¼" (6mm).