

## DESCRIPTION

- Metal construction with various finishes identified by suffix
- Includes showerhead, arm, flange and diverter spout

## OPERATION

- Handle operates counterclockwise through a 270° arc with off at 6 o'clock and maximum hot at the 9 o'clock position. Shut off in clockwise direction
- Adjustable temperature limit stop to control maximum hot water temperature
- Pressure balancing mechanism maintains selected discharge temperature to  $\pm 3^\circ$

## FLOW

- Showerhead is limited to 2.5 gpm (9.5 L/min) at 80 psi
- EP suffix models are limited to 1.75 gpm (6.6 L/min) at 80 psi
- NH suffix models contain no showerhead

## CARTRIDGE

- 1222 cartridge design
- Nonmetallic/nonferrous and stainless steel materials
- Accommodates back to back installations

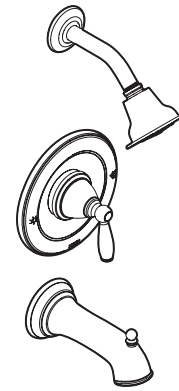
## STANDARDS

- Third party certified to meet ASME A112.18.1/CSA B125.1 and all applicable requirements referenced therein
- EP suffix models are third party certified to WaterSense®

- **ADA**  for lever handle

## WARRANTY

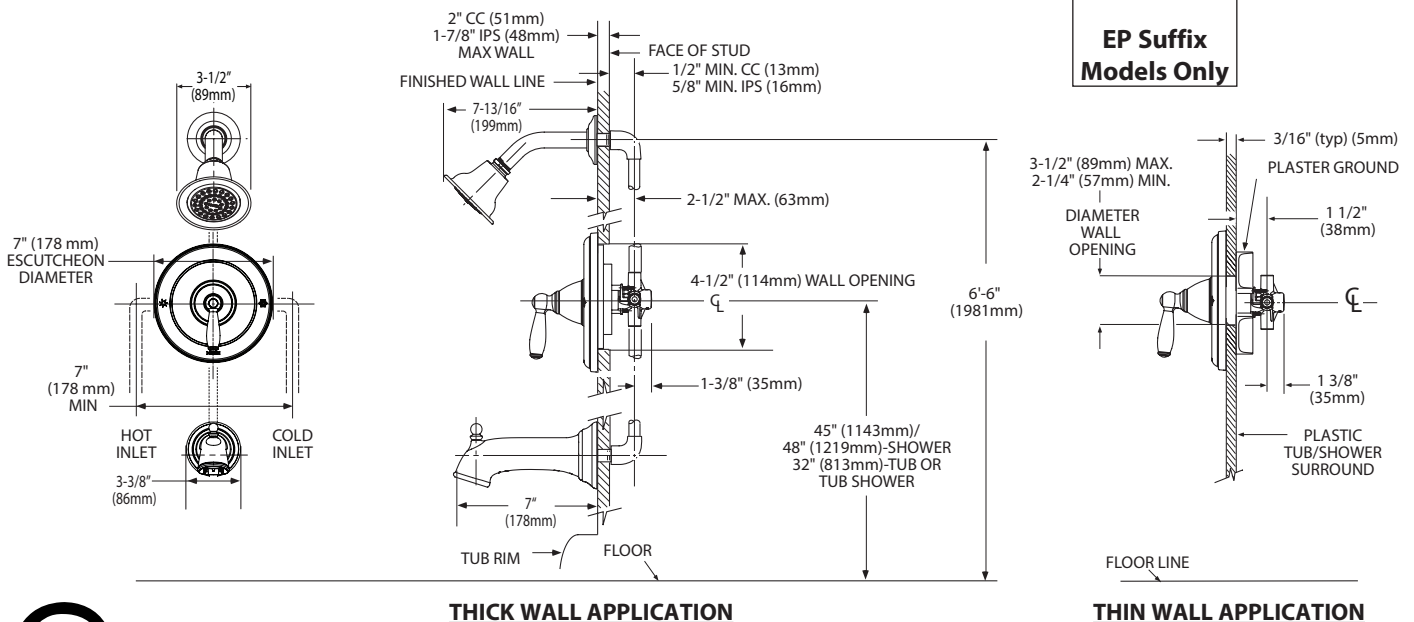
- Lifetime limited warranty against leaks, drips and finish defects to the original homeowner
  - 10 year limited warranty when used in a multifamily installation
  - 5 year limited warranty when used in a commercial installation
- Visit [www.moen.com/support](http://www.moen.com/support) for complete details and limitations



## BRANTFORD™ POSI-TEMP™ Single-Handle Tub/Shower Trim Kit

- Models:** T2151 series - valve trim only  
 T62151 (Bulk Packed 12 per carton)  
 T2152 series - shower trim only  
 T62152 (Bulk Packed 12 per carton)  
 T2153 series - tub/shower trim  
 T62153 (Bulk Packed 12 per carton)

- Valves:** 62300 series  
 2500 series



## CRITICAL DIMENSIONS (DO NOT SCALE)