

## PRODUCT DESCRIPTION

- Manual exposed flushometer retrofit
- Cast brass construction with chrome electroplated finish
- Chloramines resistant seals
- 1-1/2" tailpiece nut assembly
- High back pressure vacuum breaker
- ADA compliant handle with dual o-ring seals

## OPERATION



- Operating pressures: 15 to 120 psi
- AccuSet™ piston technology
- Self-cleaning filter

## FLOW


### Closet

- **8310MR35** (3.5 gpf/13.2 Lpf)
- **8310MR16** (1.6 gpf/6.0 Lpf)
- **8310MR128** (1.28 gpf/4.8 Lpf)

### Urinal

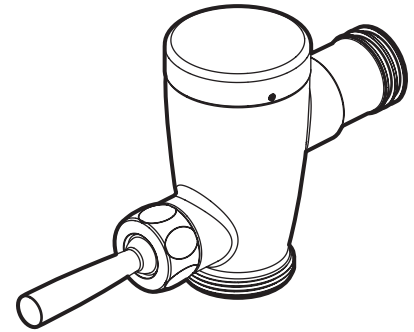
- **8312MR10** (1.0 gpf/3.8 Lpf)
- **8312MR05** (0.5 gpf/1.9 Lpf) –WaterSense certified 
- **8312MR0125** (0.125 gpf/0.5 Lpf) –WaterSense certified 

## STANDARDS

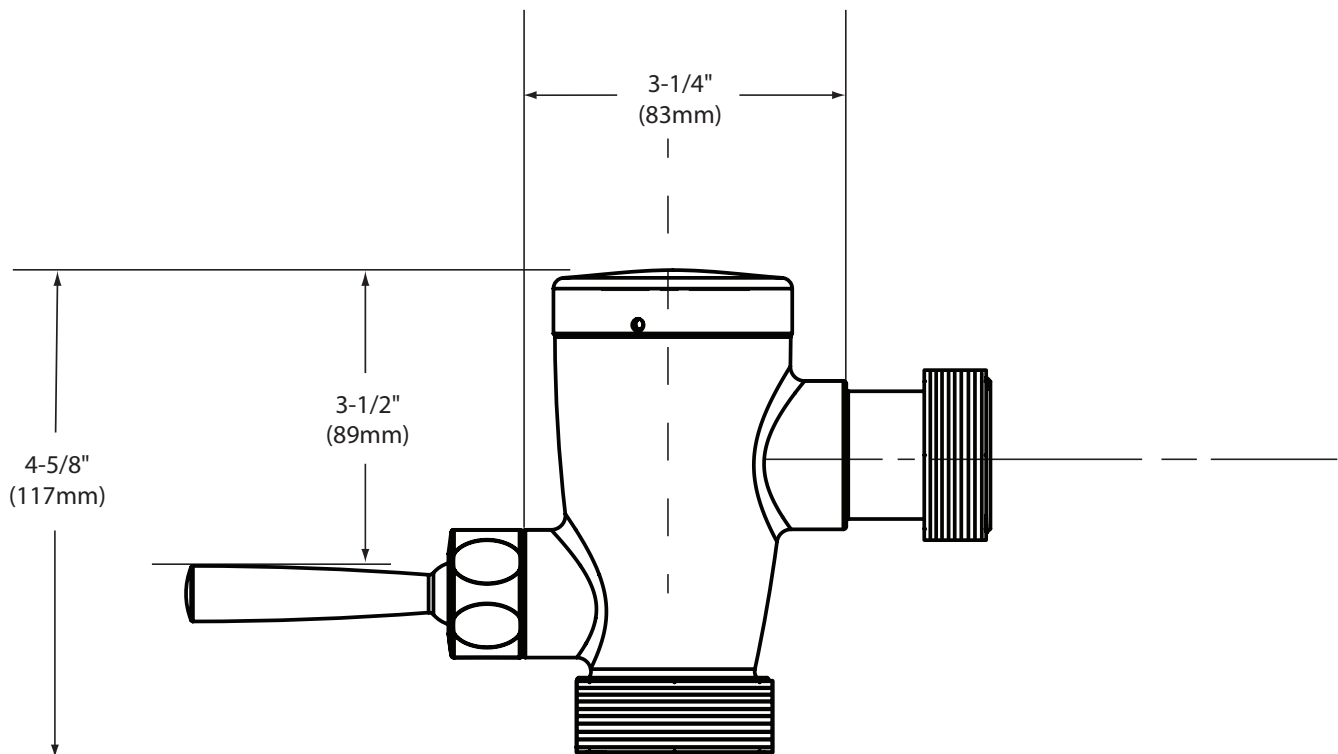
- Third party certified by IAPMO and CSA to meet ASME A112.19.2M and all applicable requirements referenced therein and complies with requirements of ASSE 1037
- **ADA** 

## WARRANTY

- Warranted for 5 years against material or manufacturing defects



## Manual Exposed Style Flush Valve Retrofit



## CRITICAL DIMENSIONS

(DO NOT SCALE)