



Specifications

*There is more than 1 version of this model.
Page down to identify the version you have.*

PRODUCT DESCRIPTION

- Sensor operated, exposed water urinal flushometer with brass angle stop valve
- Brass construction with chrome plated finish
- Chloramine resistant seals
- 3/4" IPS inlet supply
- 3/4" top spud
- High back pressure vacuum breaker
- Intended for use with top spud urinals with matching flow rates as specified by the fixture manufacturer

OPERATION

- Self-cleaning Accuset™ piston flush technology
- Mechanical override
- Adjustable infrared sensor range up to 15"
- Optional 24 hour Sentinel Flush (factory setting is off)
- Operating Pressure Range: 20-125psi
- Compatible with 104630 transformer, powers up to 8 flush valves

FLOW RATE

- 8312AC10 (1.0gpf/3.8Lpf)
- 8315AC05 (0.5gpf/1.9Lpf) – WaterSense® certified
- 8316AC (0.125 gpf/0.5Lpf) – WaterSense® certified

STOP VALVE

- All metal 3/4" IPS vandal resistant angle stop with double o-ring connection
- Adjustable installation (left or right connection)

STANDARDS

- Third party certified by IAPMO and CSA to meet ASME A112.19.2M and all applicable requirements referenced therein and complies with requirements of ASSE 1037
- BAA
- ADA

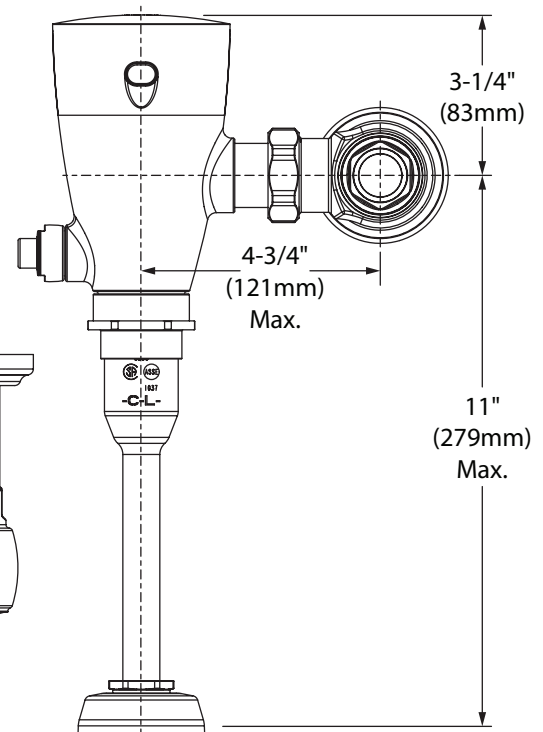
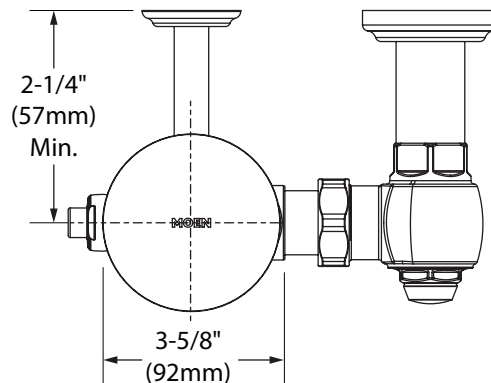
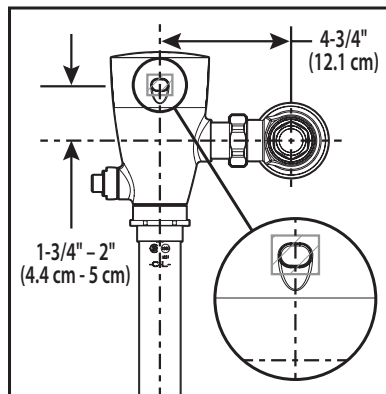
WARRANTY

- Warranted for 5 years against material or manufacturing defects



M-POWER™ 3/4" AC Powered Sensor Exposed Style Urinal Flush Valve

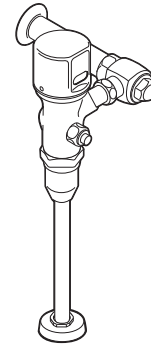
Models: 8312AC10, 8315AC05,
8316AC



CRITICAL DIMENSIONS

(DO NOT SCALE)

Specifications



M•POWER™ 3/4" AC Powered Sensor Exposed Style Urinal Flush Valve

Models: 8312AC10, 8315AC05,
8316AC



PRODUCT DESCRIPTION

- Brass construction w/chrome plated finish
- 3/4" IPS supply
- 3/4" top spud
- 6" cable tube
- 18 guage x 24" (+) (-) wire leads
- Optional power adapters
- Single AC transformer (12v) #104406
- Multi-unit AC transformer (powers up to 8 units) #104401

OPERATION

- Adjustable sensor eye
- Low consumption AC powered (12 Volt transformer required)
- Self-diagnostic electronics
- Piston flushing mechanism
- Self cleaning filter system


FLOW RATE

- 8312AC10 (1.0gpf/3.8Lpf)
- 8315AC05 (0.5gpf/1.9Lpf) – WaterSense® certified ◊
- 8316AC (0.125 gpf/0.5Lpf) – WaterSense® certified ◊
- 0.125 gpf (.48 lpf)
- 24 hour sentinel flush
- Mechanical manual override button

STOP VALVE

- All metal 3/4" IPS vandal resistant angle stop with double o-ring connection
- Adjustable installation (left or right connection)

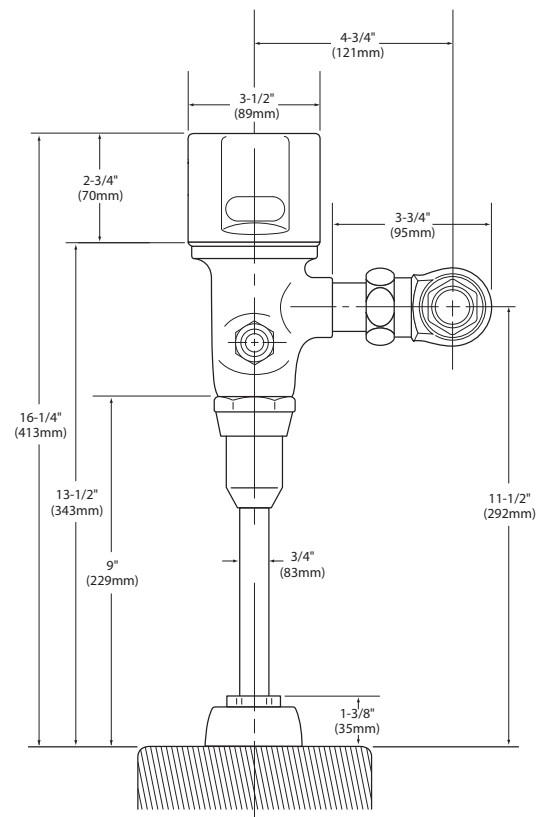
STANDARDS

- Third party certified by IAPMO and CSA to meet ASME A112.19.2M and all applicable requirements referenced therein and complies with requirements of ASSE 1037
- BAA
- ADA 

WARRANTY

- Warranted for 5 years against material or manufacturing defects

◊ *Intended for use with matching flow rates as specified by the fixture manufacturer*



CRITICAL DIMENSIONS

(DO NOT SCALE)