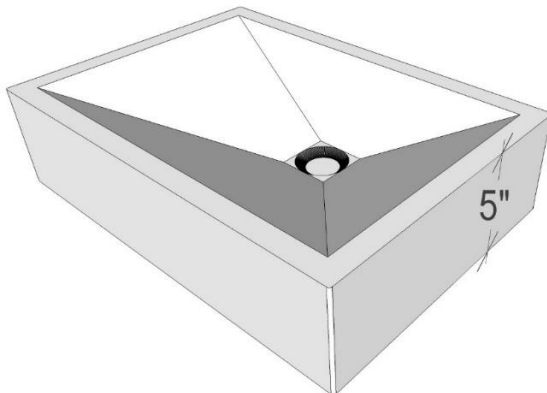
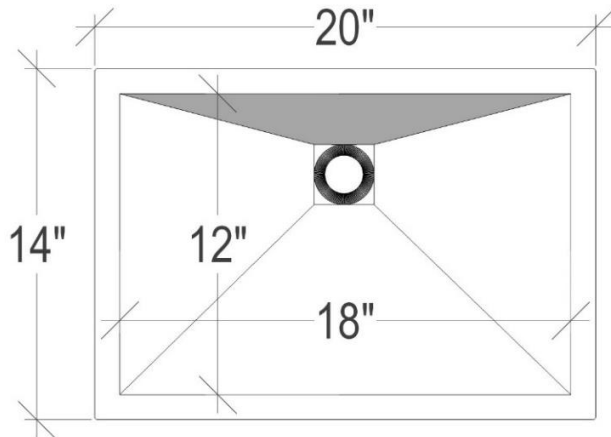
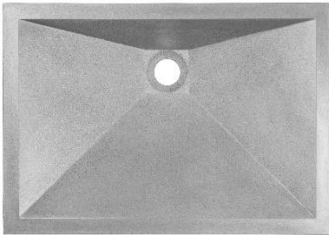




Shown in Gray



## AC06

RIDER: Concrete Rectangle Sloped Sink - Vessel

### DETAILS

Installation Type: Vessel

Material: Glass Fiber Reinforced Concrete



Dimensions are approximate: [OD: 20" x 14" x 5", ID: 18" x 12"]

Uses standard 1.5" drain; No Overflow






Each sink is hand-crafted; no two sinks will be the same. All concrete sinks will have unique markings, such as air bubbles, and variations that are inherent characteristics of the handmade process.

See our ["Artisan Concrete Fact Sheet"](#) for additional details.

### AVAILABLE FINISHES

	<b>G</b>	Gray
	<b>BLK</b>	Black

### AVAILABLE DRAINS

	<b>D004</b>	Grid Strainer
	<b>D005</b>	Lift and Turn
	<b>D006</b>	Pop-Up with Horizontal Lift Rod
	<b>D011 – D017</b>	Decorative Grid Strainers
	<b>D101 – D720</b>	Decorative Drains

### INSTALLATION

Drain should be installed first. A conversion kit for drain installation is provided with each sink with 1.5" drain opening. **VESSEL:** Cut opening in countertop large enough for drain nut/gaskets and conversion kit to slip into countertop. Use silicone adhesive to adhere sink to countertop. Clean any excess silicone from sink surface to avoid damaging the finish.

### CARE

Concrete sinks are crafted from glass fiber reinforced concrete (GFRC). Linkasink hand-etches then seals each sink with a 7 Step impregnating sealer. Use Windex® with Vinegar for cleaning as needed. The sink should not be exposed to harsh or acidic chemicals, cleaners or scrubbers.

### WARRANTY

Linkasink warranties our product to be free from manufacturing defect for the life of the product. Warranty does not cover improper care, neglect, abuse or normal wear-and-tear.

### DIMENSIONS WILL VARY

**DO NOT** use this sheet as a guide for countertop cuts. Due to the handmade nature of each product, templates are not provided.